

AN-6 MALE FITTINGS ON FUEL RAIL

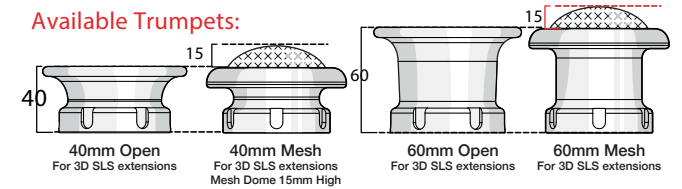
SECTION E-E

1/8" BSP VACUUM TAKE OFF AVAILABLE

CABLE PULL ON RIGHT HAND SIDE

## Ensure sizes fit in engine

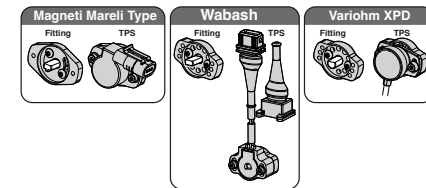
Available Trumpets:



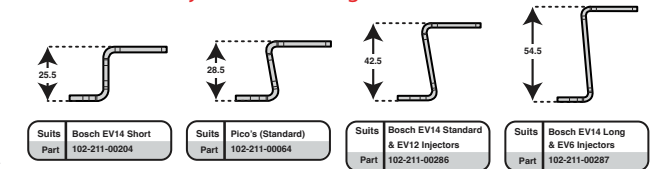
Available Extension Lengths: Contact us for curved



Available TPS Options



Available Fuel Injector Mounting Brackets:



Available Fuel Rail End Fittings:

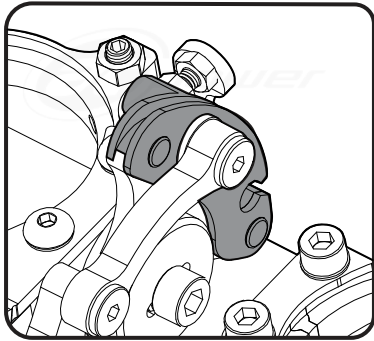


<p>S-CAN 3D Ltd Bunns Bank Ind Est Attleborough NR17 1QD</p>	<p>THIRD ANGLE PROJECTION</p>		MATERIAL	SEE COMPONENT PARTS
	SCALE 1:2	WEIGHT 2.9 kg	FINISH	SEE COMPONENT PARTS
<p>UNLESS OTHERWISE STATED: DIMENSIONS IN MILLIMETRES TOLERANCES: LINEAR ±0.1 ANGULAR ±0.5° SURFACE FINISH √ = ✓ DRAWING STANDARDS TO ATQS 6003 DATE FORMAT: DD/MM/YY</p> <p>THIS DESIGN IS THE PROPERTY OF S-CAN 3D LTD AND MUST NOT BE REPRODUCED OR COMMUNICATED WITHOUT AUTHORITY</p>	DRAWN-	S.HOW	DRAWING TITLE	<b>ASSY - HOUSING - UNIVERSAL - AUDI - 5 CYL - ALI EXT - CABLE PULL</b>
	DATE-	13/04/23	DRAWING NUMBER	
	CHECKED-	S.HOW		SHEET 2 OF 2 A3
APPROVED-	S.HOW	CAD PLOT DO NOT SCALE		

## Select Cable Pull or Drive-By-Wire

### Cable Pull Linkage

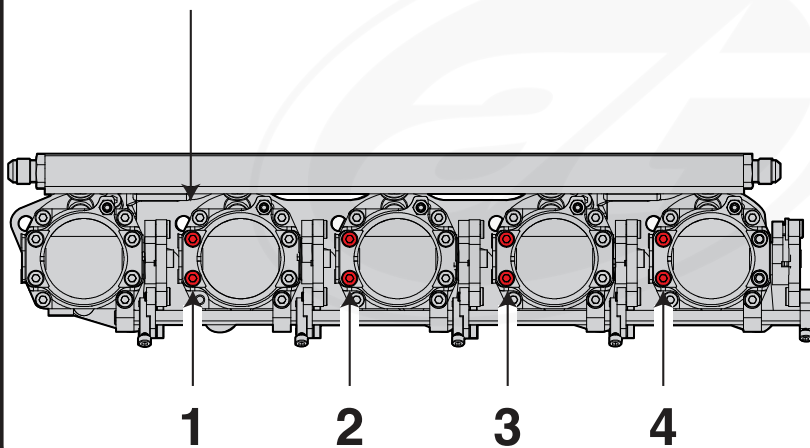
All Linkage suitable for AT Power's 3m Motorsport Throttle Nipple Cable (Sold Separately)



### DBW (Drive-By-Wire) Actuator Mounting:

If you have selected DBW, in the drop down box please advise

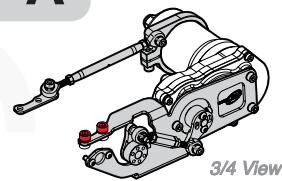
Mounting Bracketry Position (mounted red on red)



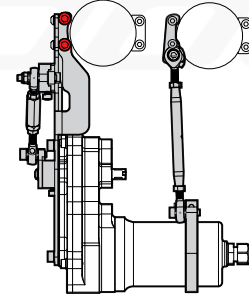
### Then Select mounting Bracket Type Required:

Straight Right Facing

**A**



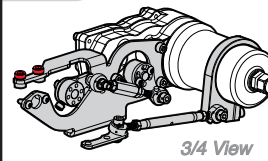
3/4 View



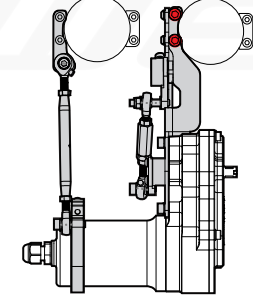
Top View

Straight Left Facing

**B**



3/4 View

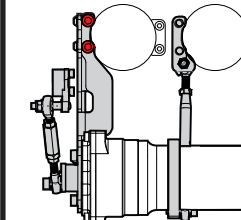
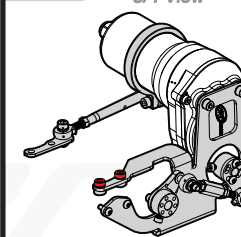


Top View

90° Right Facing

**C**

3/4 View

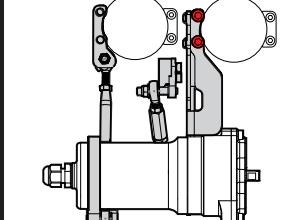
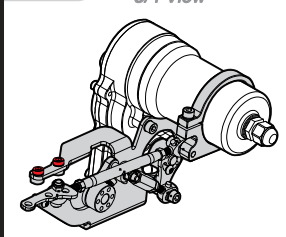


Top View

90° Left Facing

**D**

3/4 View



Top View

Ensure sizes fit in engine DBW Actuator bracketry technical drawings on next page

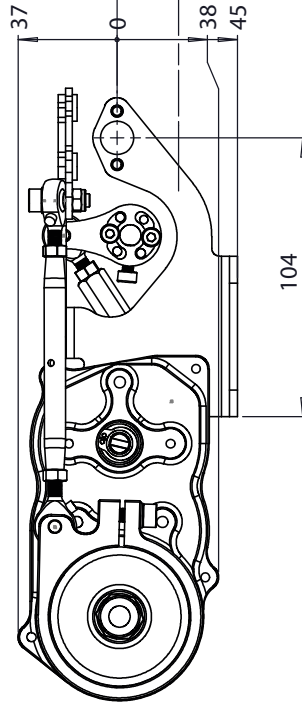
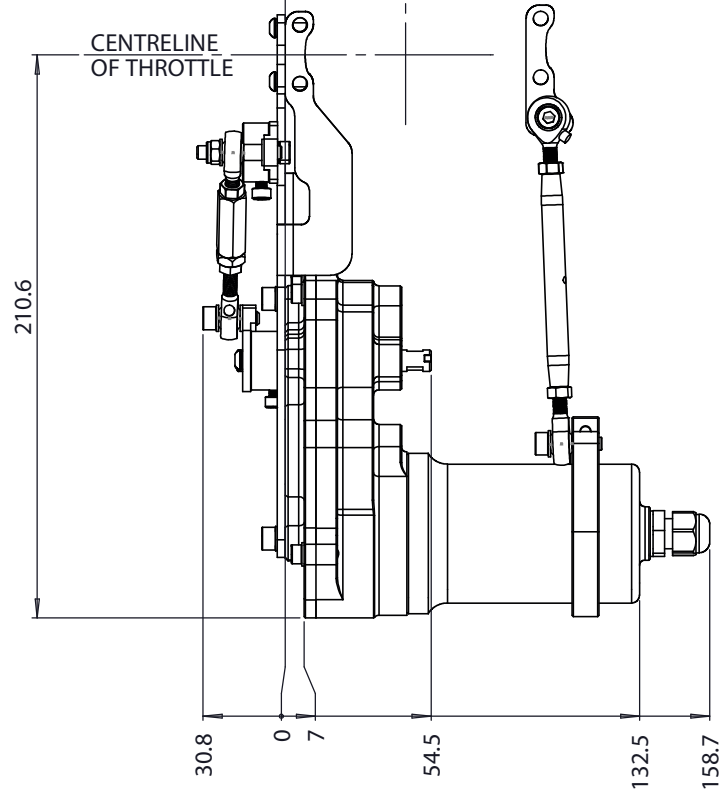
SIDE OF THROTTLE

CENTRELINE OF THROTTLE

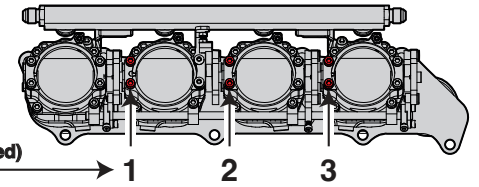
DIM 'A'

CENTRELINE OF THROTTLE

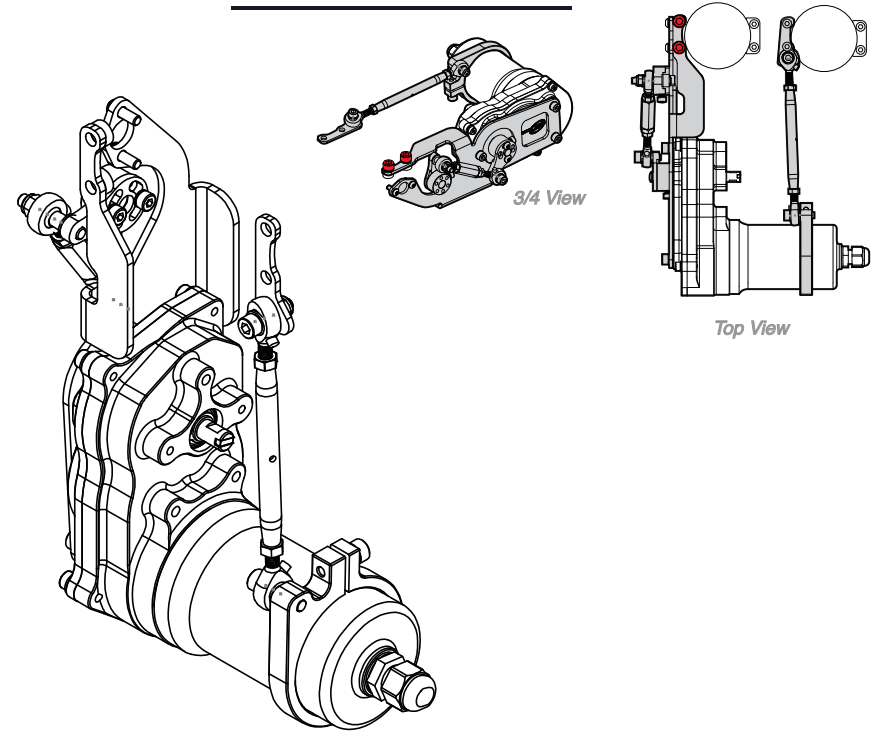
TO BASE OF THROTTLE 23  
 ROUND NON-INJECTED THROTTLES THIS DIMENSION IS 17mm



Select Mounting Bracketry Position (mounted red on red)



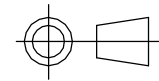
# MOUNT 'A'



DIMENSION 'A'		
THROTTLE SIZE	ROUND THROTTLE	OVAL THROTTLE
36	22.5	N/A
38	23.5	25.5
40	24.5	26.5
42	25.5	28.5
45	27	29.5
48	29	32
50	30	33.5
52	31	35.5
55	32.5	36.5



S-CAN 3D Ltd  
 Bunn's Bank Ind Est  
 Attleborough NR17 1QD



THIRD ANGLE PROJECTION  
 SCALE 1:2 WEIGHT 1.4 kg

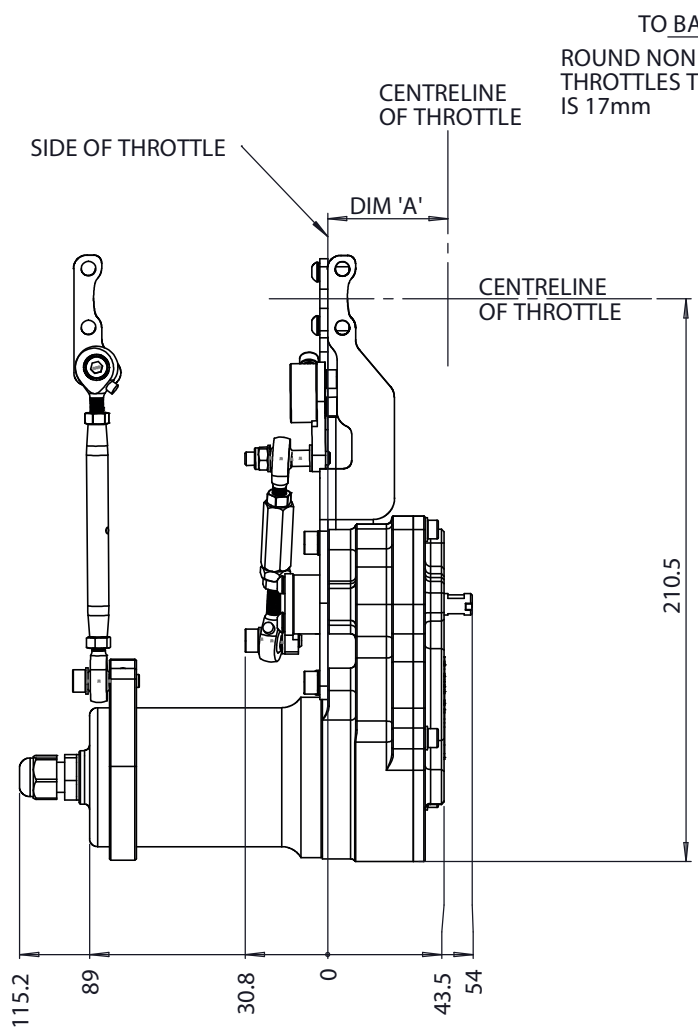
UNLESS OTHERWISE STATED:  
 DIMENSIONS IN MILLIMETRES  
 TOLERANCES: LINEAR  $\pm 0.1$  ANGULAR  $\pm 0.5^\circ$   
 SURFACE FINISH  $\sqrt{=}$   
 DRAWING STANDARDS TO ATQS 6003  
 DATE FORMAT: DD/MM/YY

THIS DESIGN IS THE PROPERTY OF S-CAN 3D LTD AND MUST NOT BE REPRODUCED OR COMMUNICATED WITHOUT AUTHORITY

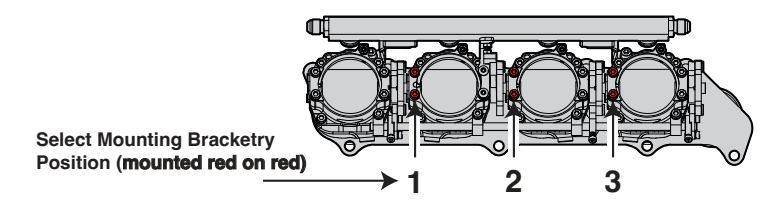
CAD PLOT DO NOT SCALE

DRAWN- S.HOW  
 DATE- 22/11/24  
 CHECKED- S.HOW  
 APPROVED- S.HOW

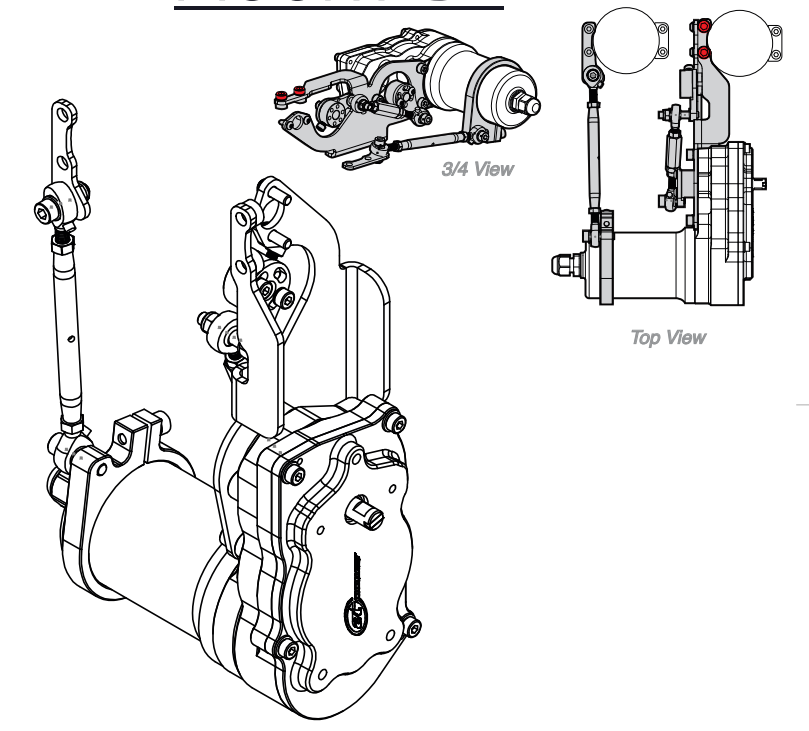
MATERIAL	SEE COMPONENT PARTS
FINISH	SEE COMPONENT PARTS
DRAWING TITLE	ASSY - DBW ACTUATOR KIT - CENTRAL MOUNT UNIVERSAL THROTTLES - RH
DRAWING NUMBER	102-106-00061



TO BASE OF THROTTLE 23  
 ROUND NON -INJECTED THROTTLES THIS DIMENSION IS 17mm



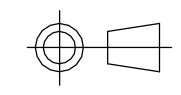
# MOUNT 'B'



DIMENSION 'A'		
THROTTLE SIZE	ROUND THROTTLE	OVAL THROTTLE
36	22.5	N/A
38	23.5	25.5
40	24.5	26.5
42	25.5	28.5
45	27	29.5
48	29	32
50	30	33.5
52	31	35.5
55	32.5	36.5



S-CAN 3D Ltd  
 Bunn's Bank Ind Est  
 Attleborough NR17 1QD



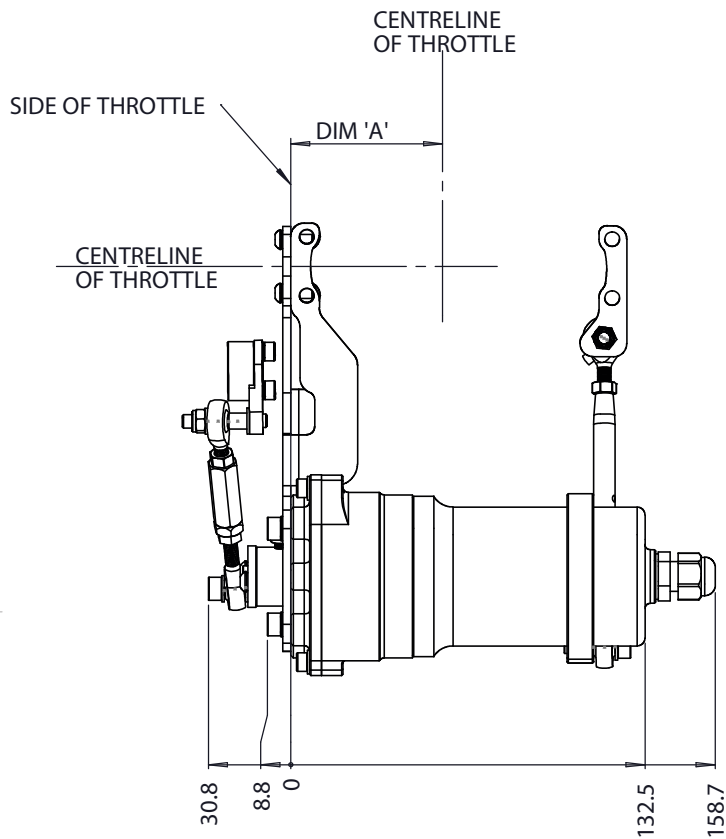
THIRD ANGLE PROJECTION  
 SCALE 1:2 WEIGHT 1.3 kg

DRAWN- S.HOW  
 DATE- 22/11/24  
 CHECKED - S.HOW  
 APPROVED - A.CLIFTON

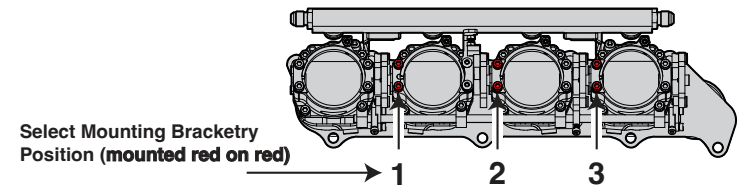
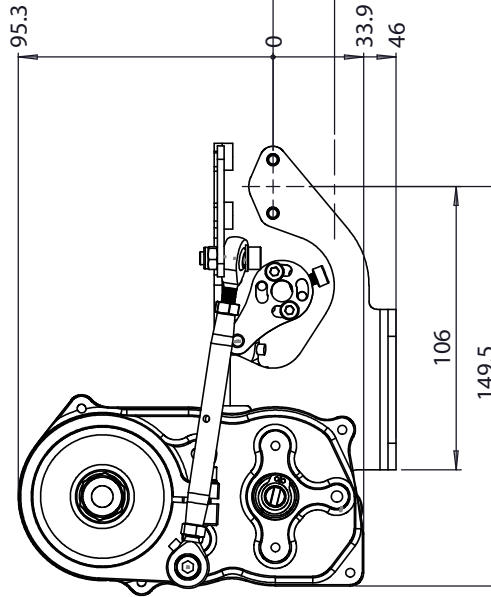
UNLESS OTHERWISE STATED:  
 DIMENSIONS IN MILLIMETRES  
 TOLERANCES: LINEAR ±0.1 ANGULAR ±0.5°  
 SURFACE FINISH √ = √  
 DRAWING STANDARDS TO ATQS 6003  
 DATE FORMAT: DD/MM/YY  
 THIS DESIGN IS THE PROPERTY OF S-CAN 3D LTD AND MUST NOT BE REPRODUCED OR COMMUNICATED WITHOUT AUTHORITY

CAD PLOT DO NOT SCALE

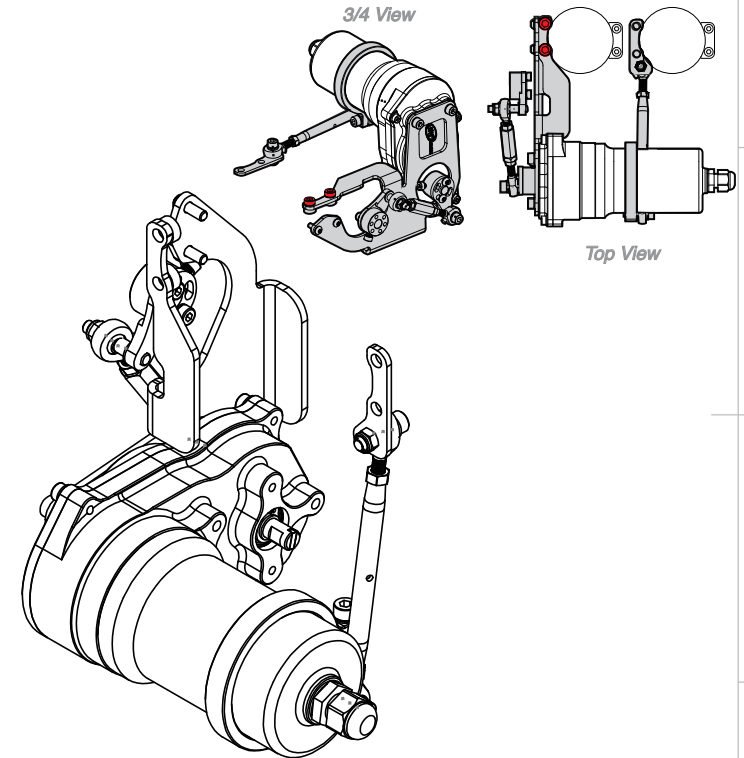
MATERIAL	SEE COMPONENT PARTS
FINISH	SEE COMPONENT PARTS
DRAWING TITLE	ASSY - DBW ACTUATOR KIT - CENTRAL MOUNT UNIVERSAL THROTTLES - LH
DRAWING NUMBER	102-106-00062



TO BASE OF THROTTLE 23  
 ROUND NON -INJECTED  
 THROTTLES THIS DIMENSION  
 IS 17mm



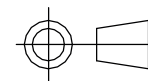
# MOUNT 'C'



DIMENSION 'A'		
THROTTLE SIZE	ROUND THROTTLE	OVAL THROTTLE
36	22.5	N/A
38	23.5	25.5
40	24.5	26.5
42	25.5	28.5
45	27	29.5
48	29	32
50	30	33.5
52	31	35.5
55	32.5	36.5



S-CAN 3D Ltd  
 Bunn's Bank Ind Est  
 Attleborough NR17 1QD



THIRD ANGLE PROJECTION

SCALE 1:2 WEIGHT 1.4 kg

DRAWN- S.HOW

DATE- 22/11/24

CHECKED - S.HOW

APPROVED - S.HOW

UNLESS OTHERWISE STATED:  
 DIMENSIONS IN MILLIMETRES  
 TOLERANCES: LINEAR  $\pm 0.1$  ANGULAR  $\pm 0.5^\circ$   
 SURFACE FINISH  $\checkmark = \checkmark$   
 DRAWING STANDARDS TO ATQS 6003  
 DATE FORMAT: DD/MM/YY

THIS DESIGN IS THE PROPERTY OF  
 S-CAN 3D LTD AND MUST NOT BE  
 REPRODUCED OR COMMUNICATED  
 WITHOUT AUTHORITY

CAD PLOT  
 DO NOT  
 SCALE

MATERIAL

SEE COMPONENT PARTS

FINISH

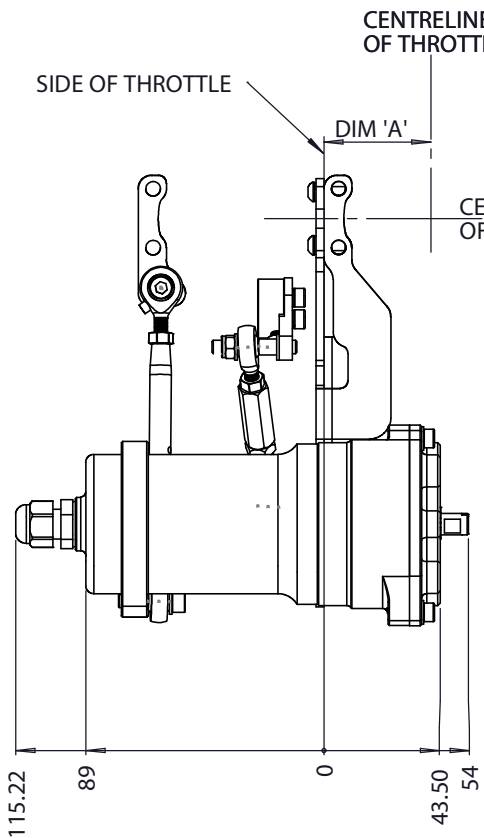
SEE COMPONENT PARTS

DRAWING TITLE

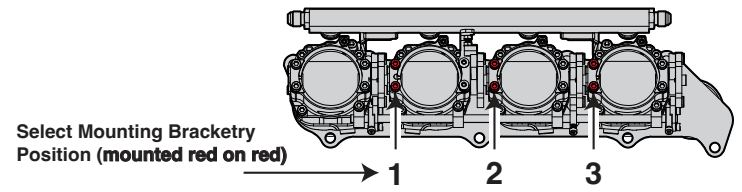
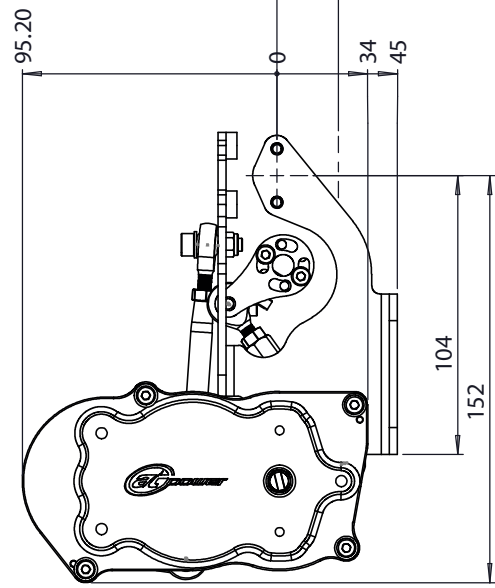
ASSY - DBW ACTUATOR KIT -  
 CENTRAL MOUNT UNIVERSAL  
 THROTTLES - RH @ 90 DEGREES

DRAWING NUMBER

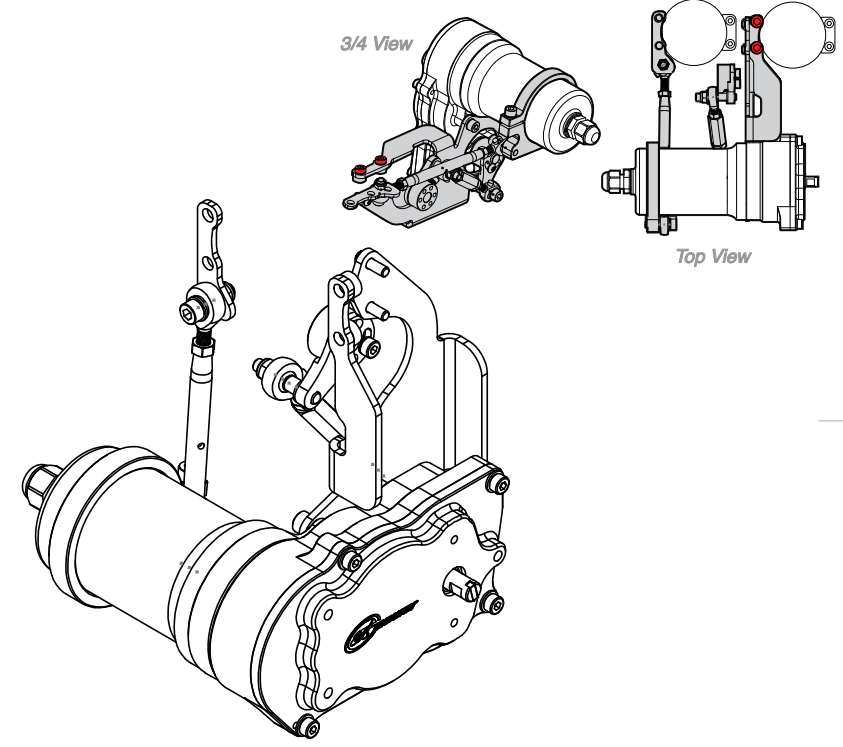
102-106-00078



TO BASE OF THROTTLE 23  
 ROUND NON -INJECTED  
 THROTTLES THIS DIMENSION  
 IS 17mm



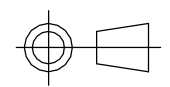
# MOUNT 'D'



DIMENSION 'A'		
THROTTLE SIZE	ROUND THROTTLE	OVAL THROTTLE
36	22.5	N/A
38	23.5	25.5
40	24.5	26.5
42	25.5	28.5
45	27	29.5
48	29	32
50	30	33.5
52	31	35.5
55	32.5	36.5



S-CAN 3D Ltd  
 Bunn's Bank Ind Est  
 Attleborough NR17 1QD



THIRD ANGLE PROJECTION  
 SCALE 1:2 WEIGHT 1.3 kg

UNLESS OTHERWISE STATED:  
 DIMENSIONS IN MILLIMETRES  
 TOLERANCES: LINEAR ±0.1 ANGULAR ±0.5°  
 SURFACE FINISH ✓ = ✓  
 DRAWING STANDARDS TO ATQS 6003  
 DATE FORMAT: DD/MM/YY

THIS DESIGN IS THE PROPERTY OF  
 S-CAN 3D LTD AND MUST NOT BE  
 REPRODUCED OR COMMUNICATED  
 WITHOUT AUTHORITY

CAD PLOT  
 DO NOT  
 SCALE

DRAWN- S.HOW  
 DATE- 22/11/24  
 CHECKED- S.HOW  
 APPROVED- S.HOW

MATERIAL	SEE COMPONENT PARTS
FINISH	SEE COMPONENT PARTS
DRAWING TITLE	ASSY - DBW ACTUATOR KIT - CENTRAL MOUNT UNIVERSAL THROTTLES - LH- 90 DEGREES
DRAWING NUMBER	102-106-00079