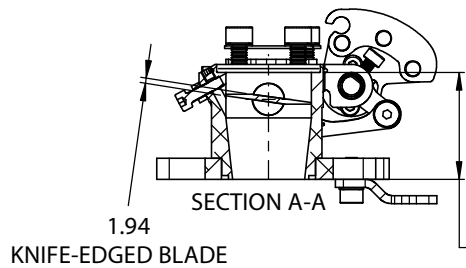
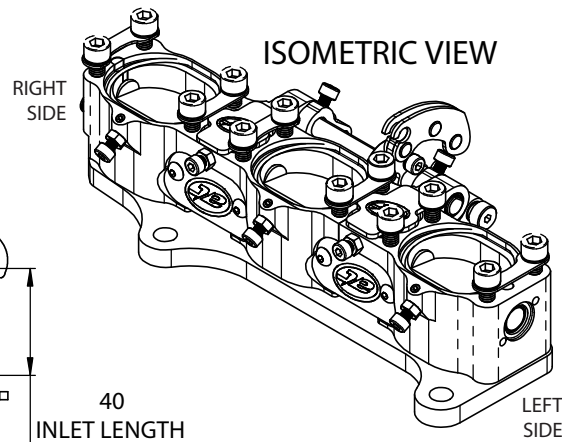
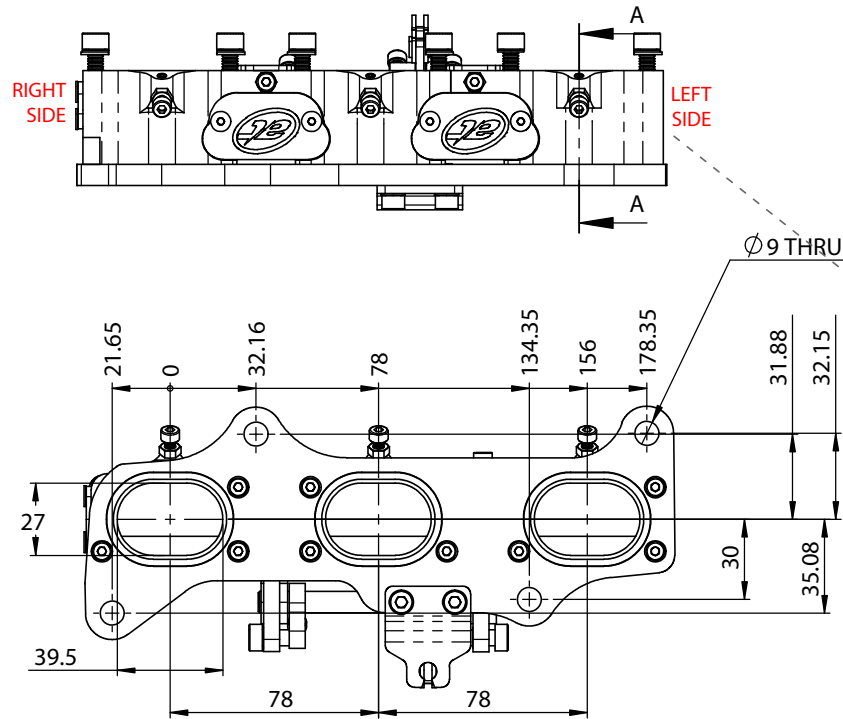


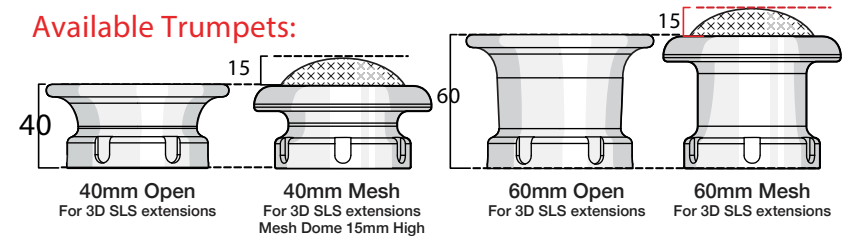
NOTE;

BLADE DIMENSIONS - 42 WIDE x 36 HIGH
 = \varnothing 38mm EQUIVALENT OVAL

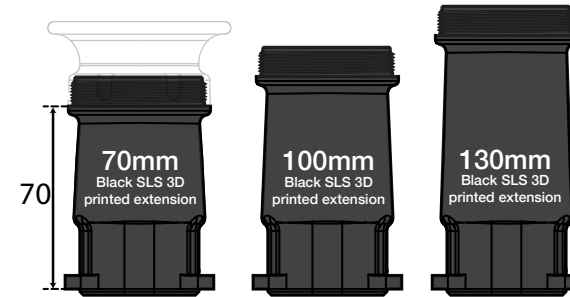


Ensure sizes fit in engine

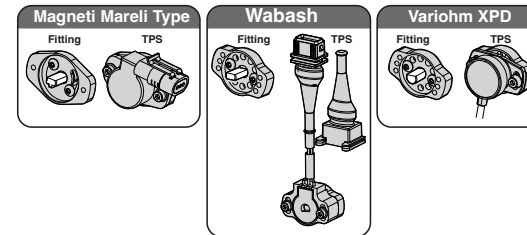
Available Trumpets:


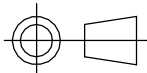


Available Extension Lengths: Contact us for curved



Available TPS Sides and TPS Options



 S-CAN 3D Ltd Bunn's Bank Ind Est Attleborough NR17 1QD	 THIRD ANGLE PROJECTION		MATERIAL	SEE COMPONENT PARTS
	SCALE 1:2	WEIGHT 0.8 kg	FINISH	SEE COMPONENT PARTS
UNLESS OTHERWISE STATED: DIMENSIONS IN MILLIMETRES TOLERANCES: LINEAR ± 0.1 ANGULAR $\pm 0.5^\circ$ SURFACE FINISH $\sqrt{=}$ DRAWING STANDARDS TO ATQS 6003 DATE FORMAT: DD/MM/YY THIS DESIGN IS THE PROPERTY OF S-CAN 3D LTD AND MUST NOT BE REPRODUCED OR COMMUNICATED WITHOUT AUTHORITY	DRAWN-	S.HOW	DRAWING TITLE	ASSY - HOUSING - TRIPPLE - OVAL - TOYOTA - D-1KR-FE CABLE PULL
	DATE-	03/10/23		
	CHECKED -	S.HOW	DRAWING NUMBER	102-112-00001
APPROVED -	A.CLIFTON	CAD PLOT DO NOT SCALE	SHEET 2 OF 2 A3	