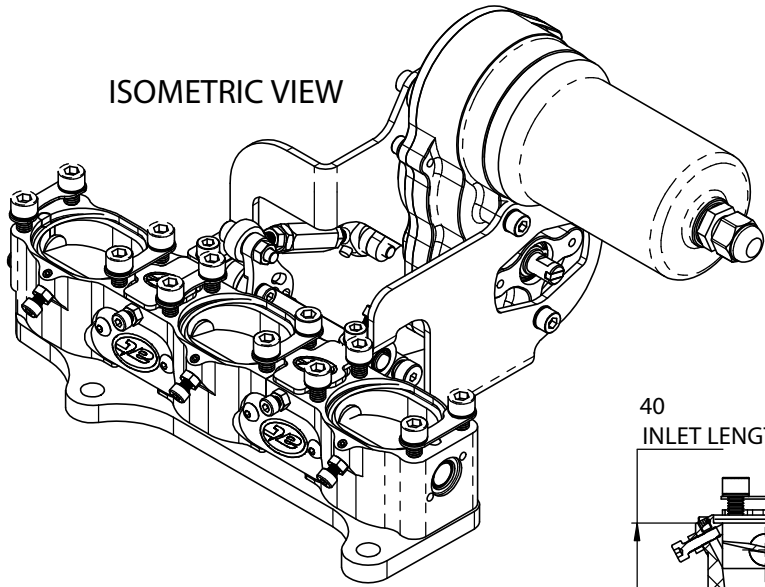
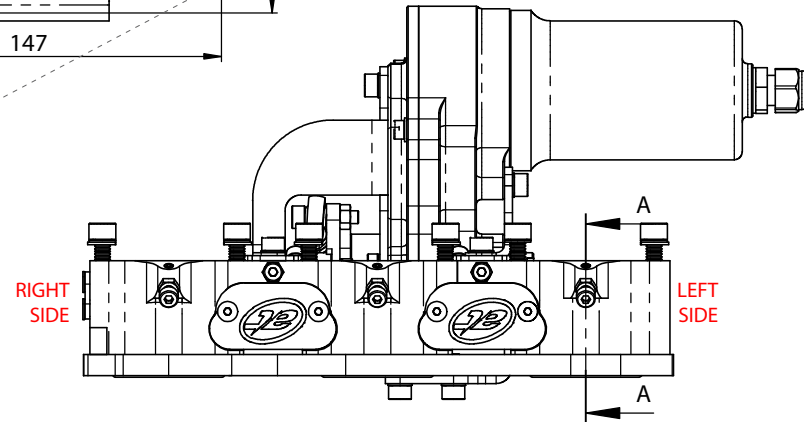
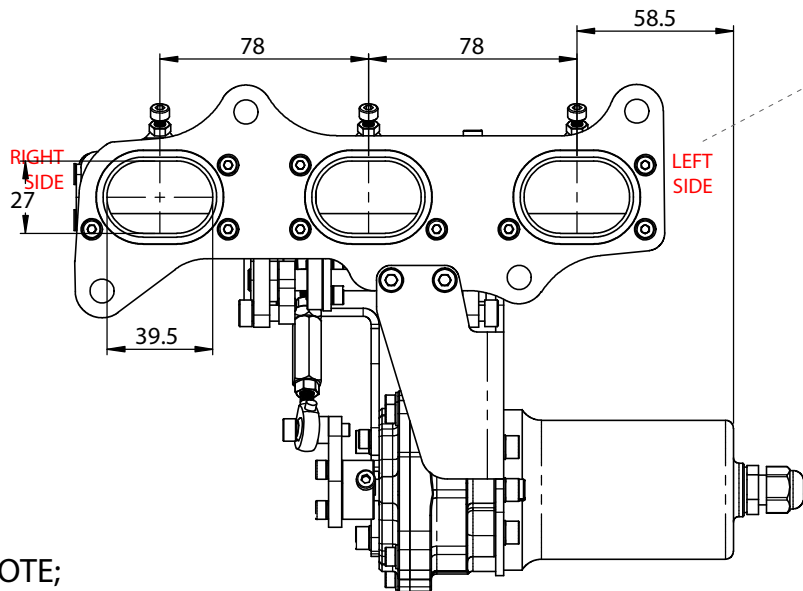
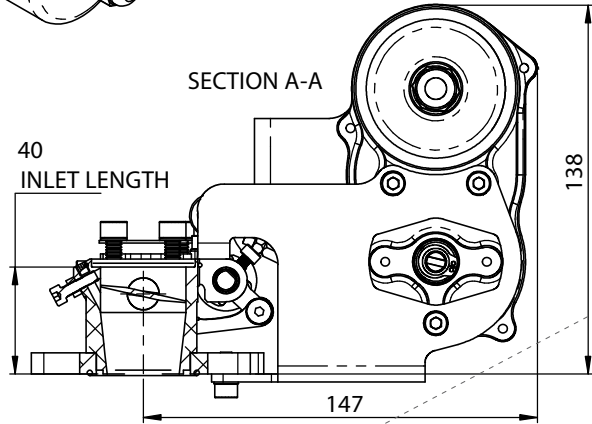


ISOMETRIC VIEW

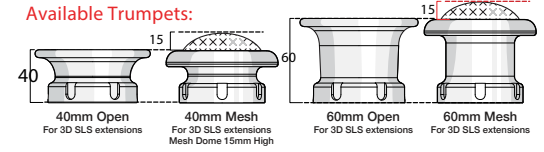


SECTION A-A

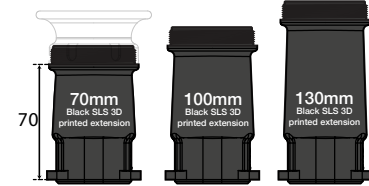


Ensure sizes fit in engine

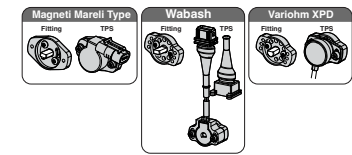
Available Trumpets:



Available Extension Lengths: Contact us for curved



Available TPS Sides and TPS Options

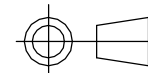


NOTE;

BLADE DIMENSIONS - 42 WIDE x 36 HIGH  
=  $\varnothing$  38mm EQUIVALENT OVAL



S-CAN 3D Ltd  
Bunns Bank Ind Est  
Attleborough NR17 1QD



THIRD ANGLE PROJECTION

SCALE 1:2 WEIGHT 2.2 kg

DRAWN- S.HOW

DATE- 25/10/24

CHECKED - S.HOW

APPROVED - S.HOW

MATERIAL

SEE COMPONENT PARTS

FINISH

SEE COMPONENT PARTS

DRAWING TITLE

ASSY - HOUSING - TRIPPLE -  
OVAL - TOYOTA - D-1KR-FE -  
**DBW**

DRAWING NUMBER

102-112-00002

SHEET 2 OF 2 A3