
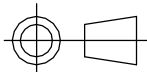


ISOMETRIC VIEW

 S-CAN 3D Ltd Bunn's Bank Ind Est Attleborough NR17 1QD	 THIRD ANGLE PROJECTION	MATERIAL	SEE COMPONENT PARTS
		FINISH	SEE COMPONENT PARTS
<small>UNLESS OTHERWISE STATED: DIMENSIONS IN MILLIMETRES TOLERANCES: LINEAR ± 0.1 ANGULAR ± 0.5° SURFACE FINISH √ = √ DRAWING STANDARDS TO ATQS 6003 DATE FORMAT: DD/MM/YY</small>	SCALE	WEIGHT	DRAWING TITLE
	1:1	0.2 kg	
	DRAWN-	S.HOW	DATE -
<small>THIS DESIGN IS THE PROPERTY OF S-CAN 3D LTD AND MUST NOT BE REPRODUCED OR COMMUNICATED WITHOUT AUTHORITY</small>	CHECKED -	S.HOW	DRAWING NUMBER
	APPROVED -	A.CLIFTON	
	CAD PLOT DO NOT SCALE		SHEET 2 OF 2 A3