
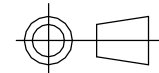


ISOMETRIC VIEW

 S-CAN 3D Ltd Bunn's Bank Ind Est Attleborough NR17 1QD	 THIRD ANGLE PROJECTION	MATERIAL	SEE COMPONENT PARTS	
		FINISH	SEE COMPONENT PARTS	
<small>UNLESS OTHERWISE STATED: DIMENSIONS IN MILLIMETRES TOLERANCES: LINEAR ± 0.1 ANGULAR ± 0.5° SURFACE FINISH √ = √ DRAWING STANDARDS TO ATQS 6003 DATE FORMAT: DD/MM/YY</small>	SCALE	1:1	WEIGHT	0.2 kg
	DRAWN-	S.HOW		
<small>THIS DESIGN IS THE PROPERTY OF S-CAN 3D LTD AND MUST NOT BE REPRODUCED OR COMMUNICATED WITHOUT AUTHORITY</small>	DATE -	21/10/15		
	CHECKED -	S.HOW		
<small>CAD PLOT DO NOT SCALE</small>	APPROVED -	A.CLIFTON		
		DRAWING TITLE	ASSY - SINGLE BORE - 42MM	
		DRAWING NUMBER	102-120-00004	