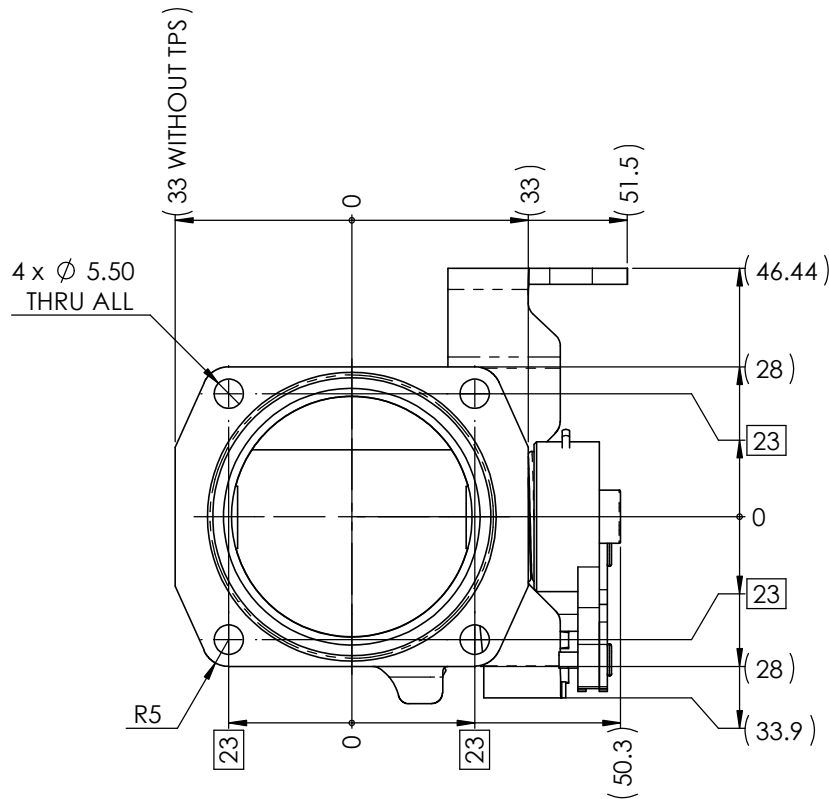

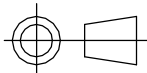


ISOMETRIC VIEW



 S-CAN 3D Ltd Bunn's Bank Ind Est Attleborough NR17 1QD	 THIRD ANGLE PROJECTION		MATERIAL
	SCALE 1:1	WEIGHT 0.3 kg	SEE COMPONENT PARTS
UNLESS OTHERWISE STATED: DIMENSIONS IN MILLIMETRES TOLERANCES: LINEAR ± 0.1 ANGULAR ± 0.5° SURFACE FINISH √ = √ DRAWING STANDARDS TO ATQS 6003 DATE FORMAT: DD/MM/YY THIS DESIGN IS THE PROPERTY OF S-CAN 3D LTD AND MUST NOT BE REPRODUCED OR COMMUNICATED WITHOUT AUTHORITY	DRAWN- S.HOW	DATE - 21/10/15	FINISH
	CHECKED - S.HOW	APPROVED - A.CLIFTON	DRAWING TITLE
CAD PLOT DO NOT SCALE			ASSY - SINGLE BORE - 45MM DRAWING NUMBER 102-120-00005
			SHEET 2 OF 2 A3