
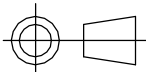


ISOMETRIC VIEW

 <b>S-CAN 3D Ltd</b> Buns Bank Ind Est Attleborough NR17 1QD	 THIRD ANGLE PROJECTION		MATERIAL	SEE COMPONENT PARTS
	SCALE 1:1	WEIGHT 0.3 kg	FINISH	SEE COMPONENT PARTS
UNLESS OTHERWISE STATED: DIMENSIONS IN MILLIMETRES TOLERANCES: LINEAR ± 0.1 ANGULAR ± 0.5° SURFACE FINISH: ✓ = ✓ DRAWING STANDARDS TO ATQS 6003 DATE FORMAT: DD/MM/YY THIS DESIGN IS THE PROPERTY OF S-CAN 3D LTD AND MUST NOT BE REPRODUCED OR COMMUNICATED WITHOUT AUTHORITY	DRAWN- S.HOW	DRAWING TITLE		ASSY - SINGLE BORE - 52MM
	DATE - 21/10/15	CHECKED - S.HOW	DRAWING NUMBER	
CAD PLOT DO NOT SCALE	APPROVED - A.CLIFTON	SHEET 2 OF 2 A3		