
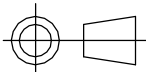


IDLE AND FULLY OPEN
AJUSTABLE STOPS

 S-CAN 3D Ltd Bunn's Bank Ind Est Atleborough NR17 1QD	 THIRD ANGLE PROJECTION		MATERIAL	SEE COMPONENT PARTS
	SCALE 1:1	WEIGHT 406.309 kg	FINISH	SEE COMPONENT PARTS
UNLESS OTHERWISE STATED: DIMENSIONS IN MILLIMETRES TOLERANCES: LINEAR ± 0.1 ANGULAR $\pm 0.5^\circ$ SURFACE FINISH $\sqrt{\quad} = \sqrt{\quad}$ DRAWING STANDARDS TO ATQS 6003 DATE FORMAT: DD/MM/YY	DRAWN - S.HOW	DATE - 24/03/22	DRAWING TITLE	ASSY - MANIFOLD SINGLE THROTTLE - 55MM
THIS DESIGN IS THE PROPERTY OF S-CAN 3D LTD AND MUST NOT BE REPRODUCED OR COMMUNICATED WITHOUT AUTHORITY	CHECKED - S.HOW	APPROVED - A.CLIFTON	DRAWING NUMBER	102-120-00019
CAD PLOT DO NOT SCALE				SHEET 2 OF 2 A3