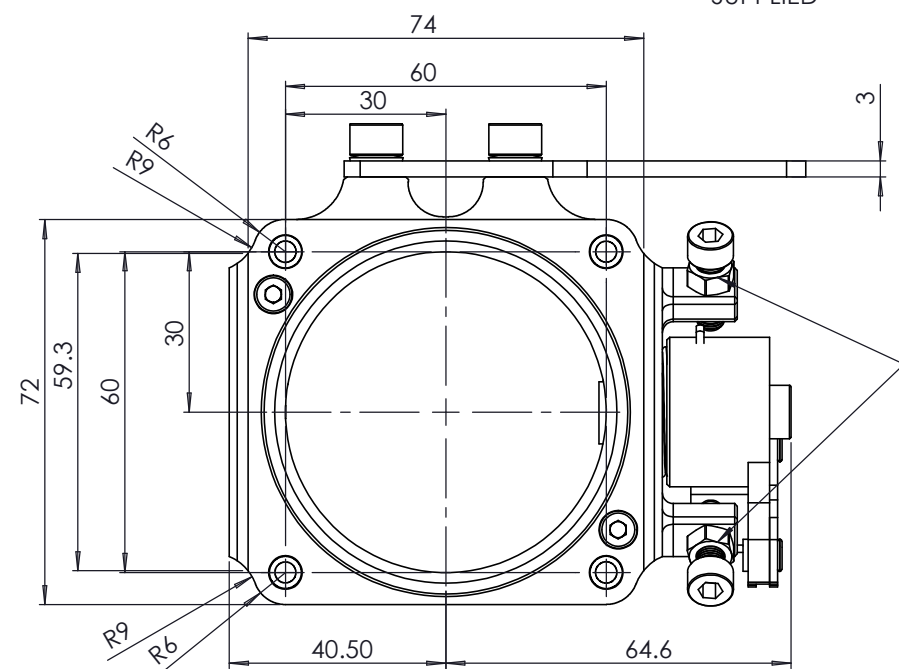

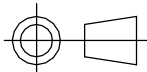


M6 SOCKET HEAD SCREWS SUPPLIED

IDLE AND FULLY OPEN AJUSTABLE STOPS



 <b>S-CAN 3D Ltd</b> Bunn's Bank Ind Est Attleborough NR17 1QD	 THIRD ANGLE PROJECTION		MATERIAL	SEE COMPONENT PARTS
	SCALE 1:1	WEIGHT 402.125 kg	FINISH	SEE COMPONENT PARTS
<small>UNLESS OTHERWISE STATED:          DIMENSIONS IN MILLIMETRES          TOLERANCES: LINEAR <math>\pm 0.1</math> ANGULAR <math>\pm 0.5^\circ</math>          SURFACE FINISH <math>\sqrt{\text{V}}</math> = <math>\sqrt{\text{V}}</math>          DRAWING STANDARDS TO ATQS 6003          DATE FORMAT: DD/MM/YY          THIS DESIGN IS THE PROPERTY OF          S-CAN 3D LTD AND MUST NOT BE          REPRODUCED OR COMMUNICATED          WITHOUT AUTHORITY</small>	DRAWN - S.HOW	DRAWING TITLE		ASSY - MANIFOLD SINGLE THROTTLE - 60MM
	DATE - 24/03/22	DRAWING NUMBER		102-120-00020
	CHECKED - S.HOW	APPROVED - A.CLIFTON		SHEET 2 OF 2 A3