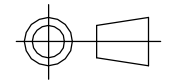
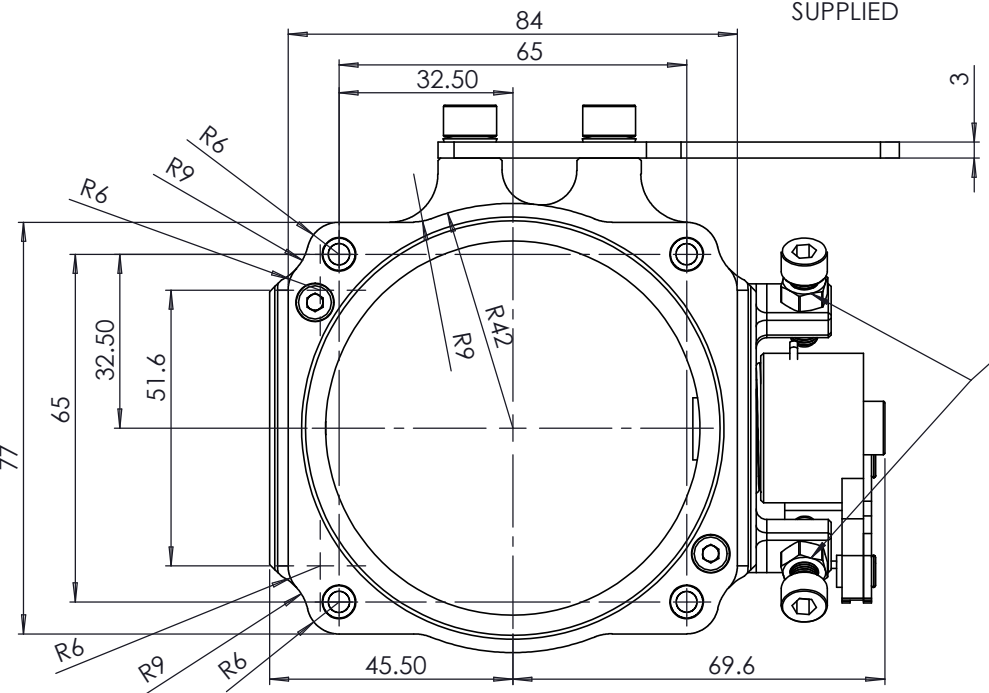


TPS
FITTED THIS SIDE

M6 SOCKET HEAD SCREWS
SUPPLIED

IDLE AND FULLY OPEN
AJUSTABLE STOPS



THIRD ANGLE PROJECTION
SCALE 1:1 WEIGHT 489.943 kg

DRAWN - S.HOW
DATE - 31/03/22

CHECKED - S.HOW
APPROVED - A.CLIFTON

MATERIAL	SEE COMPONENT PARTS
FINISH	SEE COMPONENT PARTS
DRAWING TITLE	ASSY - MANIFOLD SINGLE THROTTLE - 70MM
DRAWING NUMBER	102-120-00022

UNLESS OTHERWISE STATED:
DIMENSIONS IN MILLIMETRES
TOLERANCES: LINEAR ± 0.1 ANGULAR ± 0.5°
SURFACE FINISH √ = √
DRAWING STANDARDS TO ATQS 6003
DATE FORMAT: DD/MM/YY
THIS DESIGN IS THE PROPERTY OF
S-CAN 3D LTD AND MUST NOT BE
REPRODUCED OR COMMUNICATED
WITHOUT AUTHORITY

CAD PLOT
DO NOT
SCALE