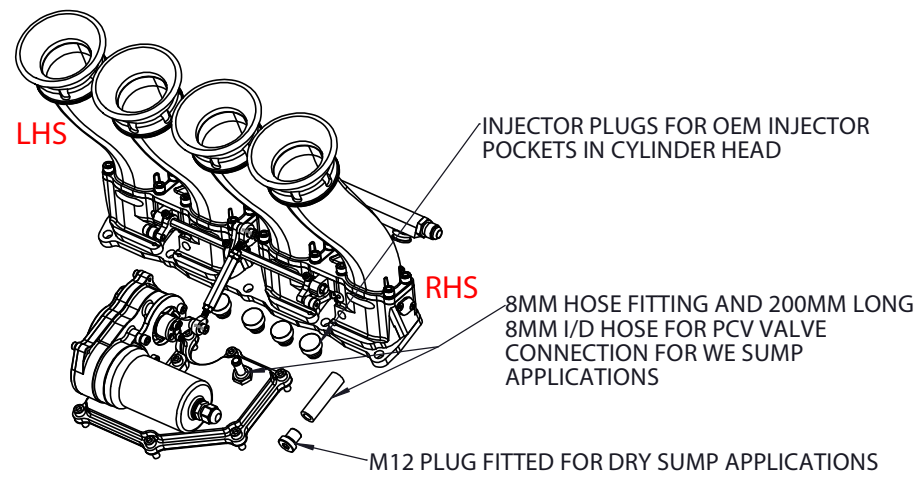
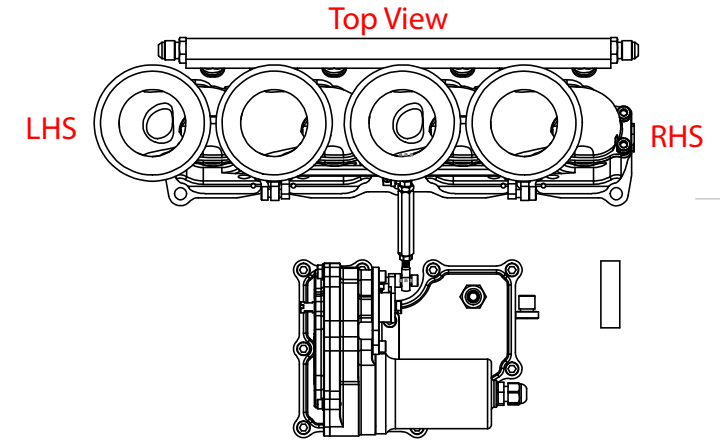
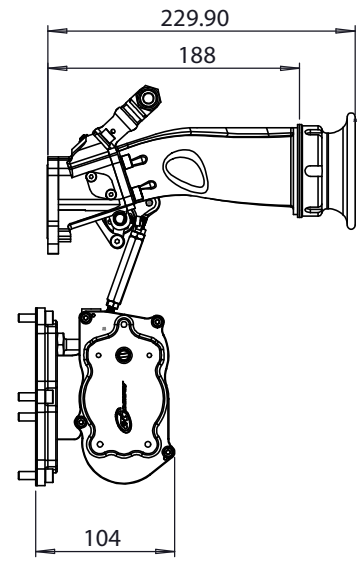
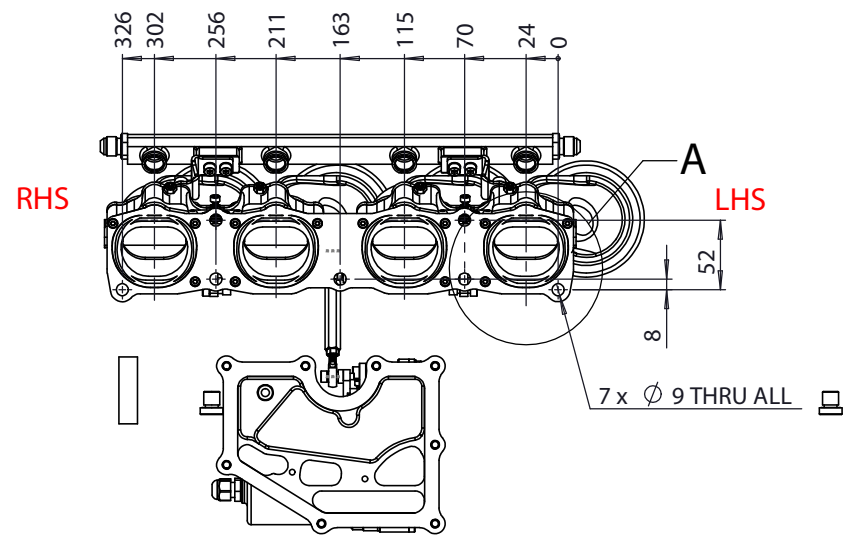
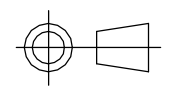


DETAIL A
SCALE 1 : 2



S-CAN 3D Ltd
Bunns Bank Ind Est
Attleborough NR17 1QD



THIRD ANGLE PROJECTION

SCALE 1:4	WEIGHT 4.2 kg
--------------	------------------

DRAWN-	S.HOW
DATE-	10/03/20
CHECKED -	S.HOW
APPROVED -	A.CLIFTON

UNLESS OTHERWISE STATED:
DIMENSIONS IN MILLIMETRES
TOLERANCES: LINEAR ±0.1 ANGULAR ±0.5°
SURFACE FINISH √ = √
DRAWING STANDARDS TO ATQS 6003
DATE FORMAT: DD/MM/YY

THIS DESIGN IS THE PROPERTY OF
S-CAN 3D LTD AND MUST NOT BE
REPRODUCED OR COMMUNICATED
WITHOUT AUTHORITY

CAD PLOT
DO NOT
SCALE

MATERIAL	SEE COMPONENT PARTS
FINISH	SEE COMPONENT PARTS
DRAWING TITLE	ASSY- MX5 - WITH DBW SYSTEM
DRAWING NUMBER	102-102-00211