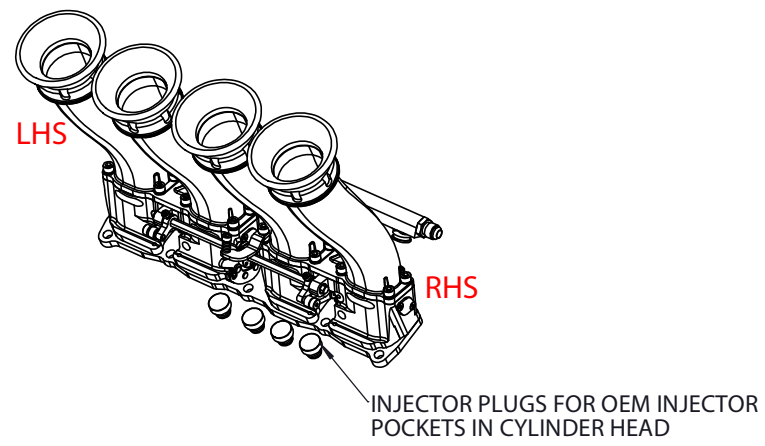
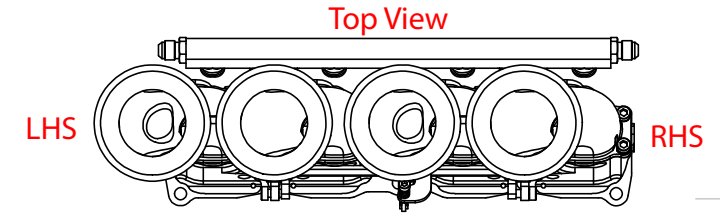
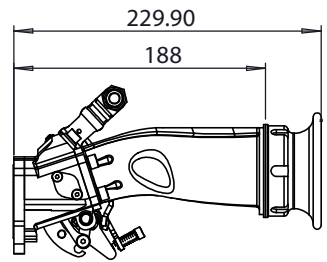
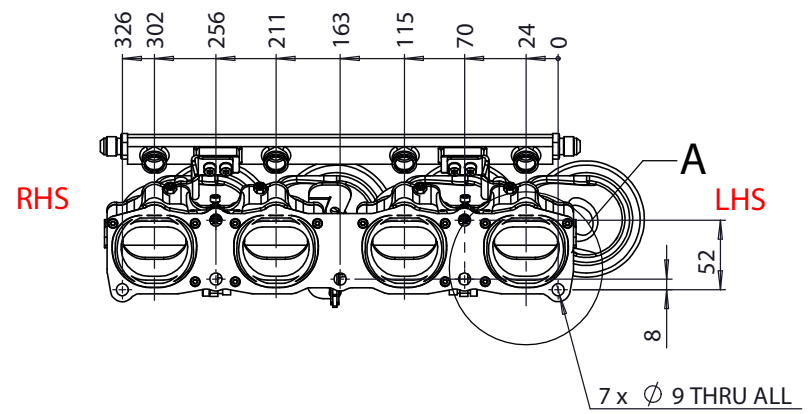


DETAIL A  
SCALE 1 : 2

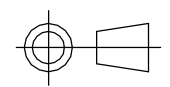


S-CAN 3D Ltd  
Bunns Bank Ind Est  
Attleborough NR17 1QD

UNLESS OTHERWISE STATED:  
DIMENSIONS IN MILLIMETRES  
TOLERANCES: LINEAR  $\pm 0.1$  ANGULAR  $\pm 0.5^\circ$   
SURFACE FINISH  $\sqrt{\text{V}}$  =  $\sqrt{\text{V}}$   
DRAWING STANDARDS TO ATQS 6003  
DATE FORMAT: DD/MM/YY

THIS DESIGN IS THE PROPERTY OF  
S-CAN 3D LTD AND MUST NOT BE  
REPRODUCED OR COMMUNICATED  
WITHOUT AUTHORITY

CAD PLOT  
DO NOT  
SCALE



THIRD ANGLE PROJECTION

SCALE 1:4

WEIGHT 2.7 kg

DRAWN- S.HOW

DATE- 12/07/22

CHECKED - S.HOW

APPROVED - A.CLIFTON

MATERIAL

SEE COMPONENT PARTS

FINISH

SEE COMPONENT PARTS

DRAWING TITLE

ASSY- MX5 - WITH CABLE  
PULL SYSTEM

DRAWING NUMBER

102-102-00383