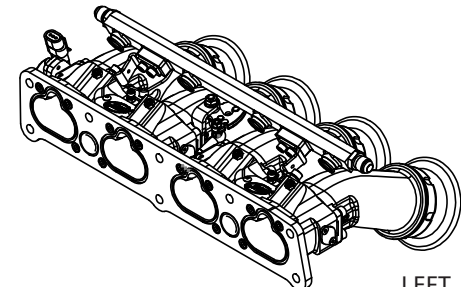


RIGHT SIDE

LEFT SIDE

AN-6 MALE FITTINGS
BOTH ENDS
FUEL RAIL BRACKETS TO
SUITE PICO INJECTORS

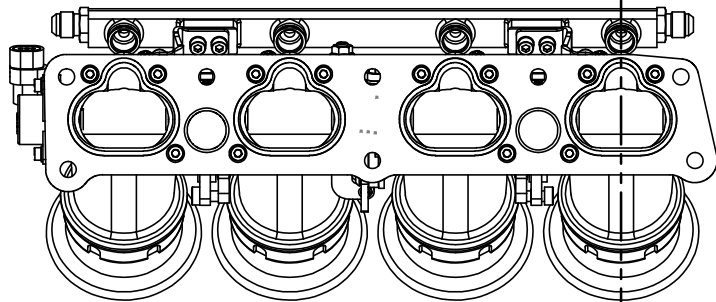
TPS OPTIONS AVAILABLE
CAN BE FITTED LEFT OR RIGHT SIDE



RIGHT SIDE

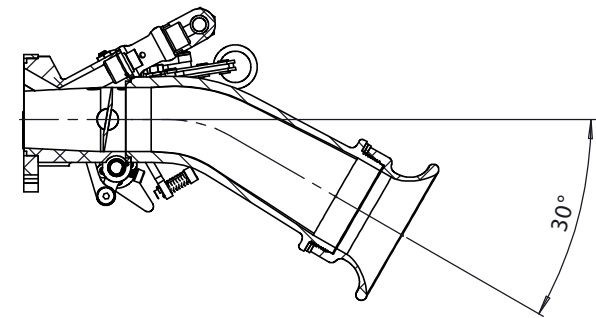
MEGAFLOW AIR FILTER SOLD SEPARATLY
JC50/S65
PART No. 102-108-00039

LEFT SIDE



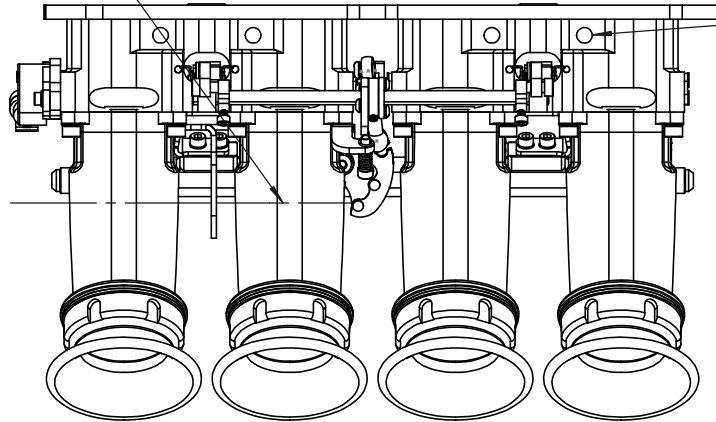
RIGHT SIDE

LEFT SIDE


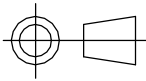


SECTION A-A

RIGHT PULL CABLE LINKAGE
AND IDLE ADJUSTMENT



1/8" BSP VACUUM TAKE OFFS AVAILABLE
DRILL 4MM HOLE THROUGH IF REQUIRED

 S-CAN 3D Ltd Bunn's Bank Ind Est Attleborough NR17 1QD	 THIRD ANGLE PROJECTION		MATERIAL	SEE COMPONENT PARTS
	SCALE 1:3	WEIGHT 3.084 Kg	FINISH	SEE COMPONENT PARTS
UNLESS OTHERWISE STATED: DIMENSIONS IN MILLIMETRES TOLERANCES: LINEAR ± 0.1 ANGULAR $\pm 0.5^\circ$ SURFACE FINISH $\sqrt{\text{V}}$ DRAWING STANDARDS TO ATQS 6003 DATE FORMAT: DD/MM/YY THIS DESIGN IS THE PROPERTY OF S-CAN 3D LTD AND MUST NOT BE REPRODUCED OR COMMUNICATED WITHOUT AUTHORITY	DRAWN-	S.HOW	DRAWING TITLE	ASSY - PEUGEOT 206 GTI 180 - 45MM - PRE-CONFIGURED
	DATE-	01/10/25	DRAWING NUMBER	102-102-00622
	CHECKED -	S.HOW		
CAD PLOT DO NOT SCALE	APPROVED -	S.HOW		