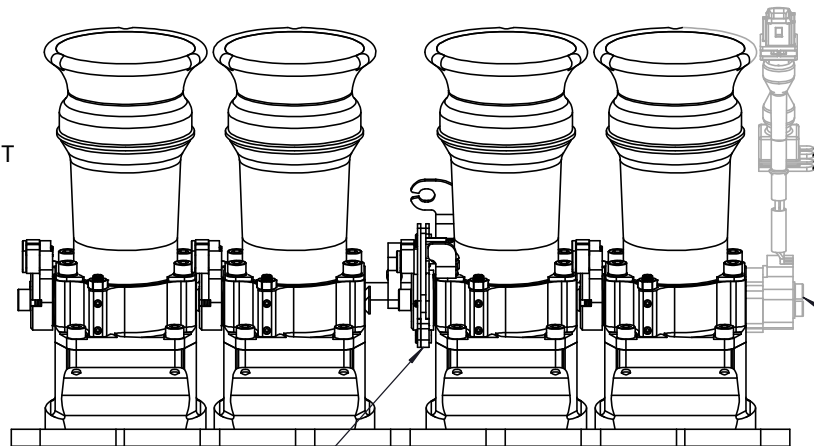


RIGHT SIDE

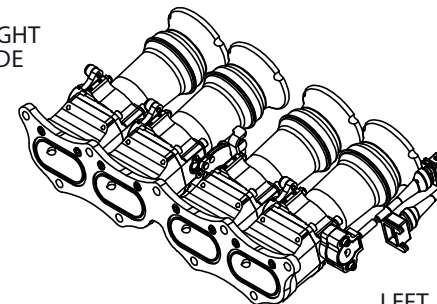


CENTRE PULL CABLE LINKAGE

LEFT SIDE  
TPS OPTIONS AVAILABLE  
CAN ONLY BE FITTED ON THE LEFT  
(WABASH PICTURED)

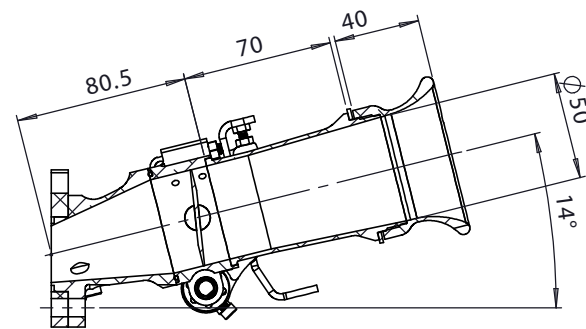
MEGAFLOW AIR FILTER SOLD SEPARATELY  
JC50S/65  
PART No. 102-108-00039

RIGHT SIDE



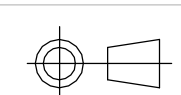
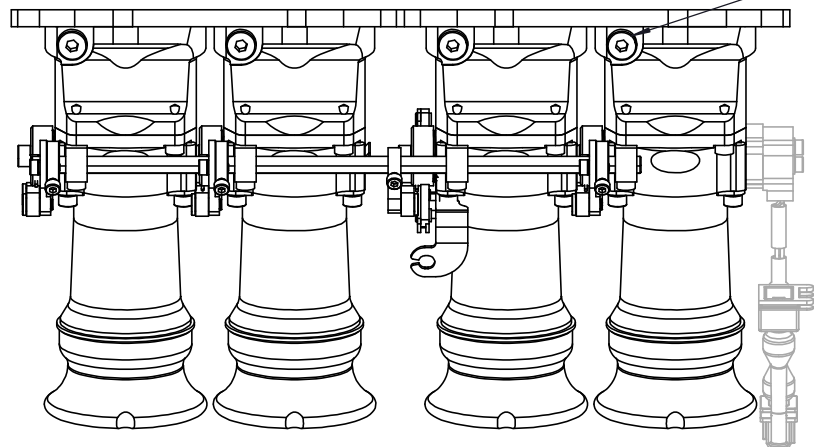
LEFT SIDE

RIGHT SIDE



SECTION A-A

4 X 1/8" BSP VACUUM TAKE OFFS  
SUPPLIED WITH PLUGS



THIRD ANGLE PROJECTION  
SCALE 1:2.5 WEIGHT 2.839 kg

UNLESS OTHERWISE STATED:  
DIMENSIONS IN MILLIMETRES  
TOLERANCES: LINEAR ±0.1 ANGULAR ±0.5°  
SURFACE FINISH √ = √  
DRAWING STANDARDS TO ATQS 6003  
DATE FORMAT: DD/MM/YY  
THIS DESIGN IS THE PROPERTY OF  
S-CAN 3D LTD AND MUST NOT BE  
REPRODUCED OR COMMUNICATED  
WITHOUT AUTHORITY

CAD PLOT DO NOT SCALE  
DRAWN - S.HOW  
DATE - 07/10/25  
CHECKED - S.HOW  
APPROVED - S.HOW

MATERIAL	SEE COMPONENT PARTS
FINISH	SEE COMPONENT PARTS
DRAWING TITLE	ASSY - RENAULT F7R CLIO WILLIAMS - 45MM - PRE- CONFIGURED
DRAWING NUMBER	102-102-00627