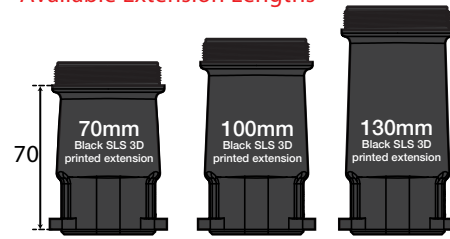


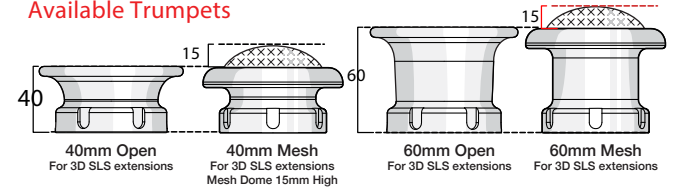
NOTE;

BLADE DIMENSIONS - 48 WIDE x 32 HIGH  
=  $\varnothing 42\text{mm}$  EQUIVALENT OVAL

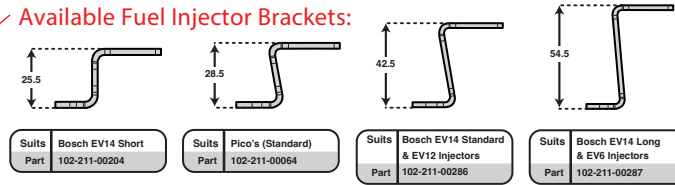
Available Extension Lengths



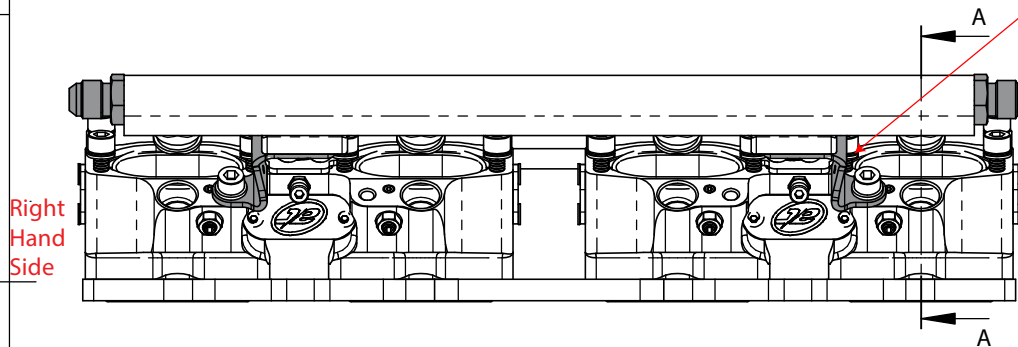
Available Trumpets



Available Fuel Injector Brackets:

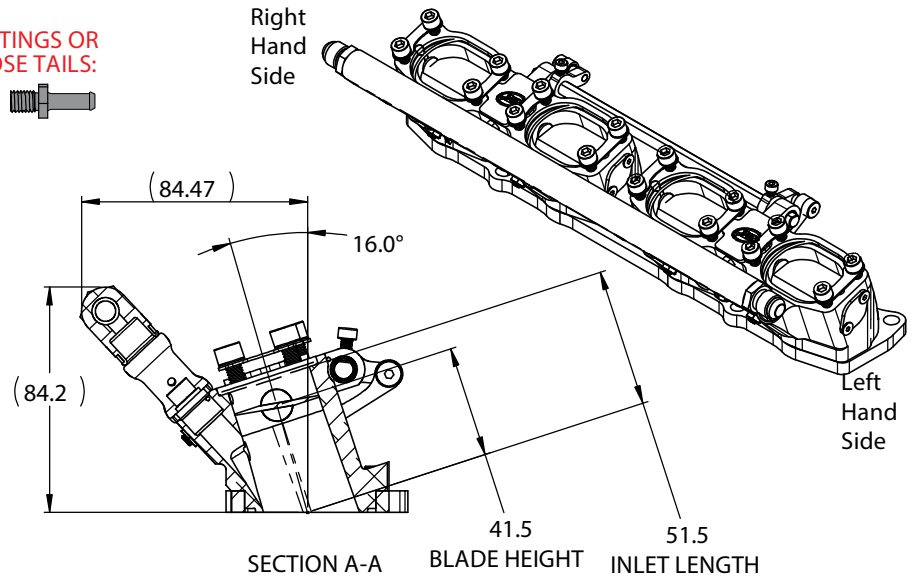


JIC-6 FITTINGS OR 8MM HOSE TAILS:



Right Hand Side

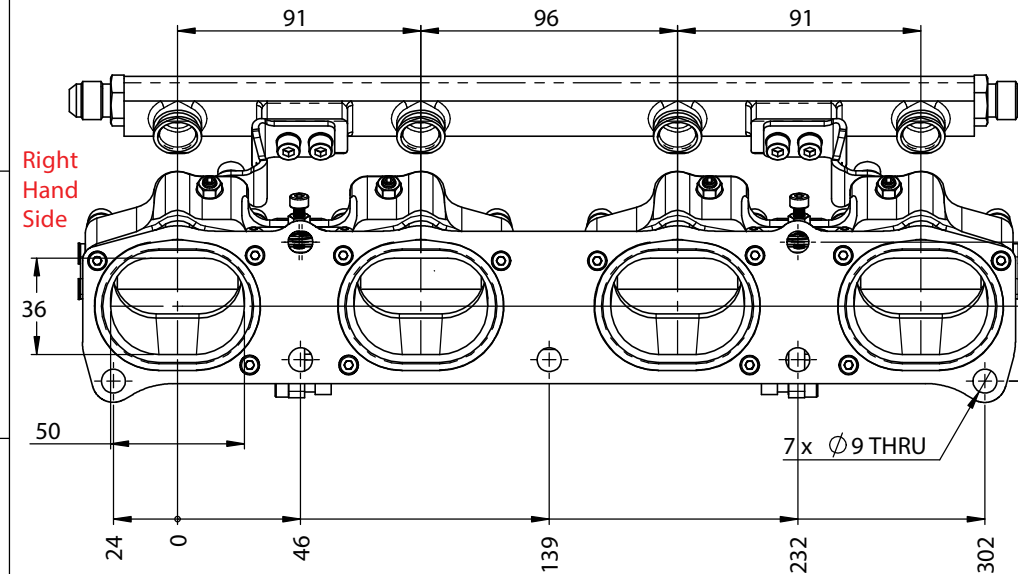
Left Hand Side



SECTION A-A

BLADE HEIGHT

INLET LENGTH



Right Hand Side

Left Hand Side

<p>S-CAN 3D Ltd Bunns Bank Ind Est Attleborough NR17 1QD</p>	<p>THIRD ANGLE PROJECTION</p>	MATERIAL	SEE COMPONENT PARTS	
		FINISH	SEE COMPONENT PARTS	
<p>UNLESS OTHERWISE STATED: DIMENSIONS IN MILLIMETRES TOLERANCES: LINEAR <math>\pm 0.1</math> ANGULAR <math>\pm 0.5^\circ</math> SURFACE FINISH <math>\sqrt{\text{V}}</math> DRAWING STANDARDS TO ATQS 6003 DATE FORMAT: DD/MM/YY</p> <p>THIS DESIGN IS THE PROPERTY OF S-CAN 3D LTD AND MUST NOT BE REPRODUCED OR COMMUNICATED WITHOUT AUTHORITY</p>	SCALE	1:2	WEIGHT	1.8 kg
	DRAWN-	S.HOW		
	DATE-	11/02/20		
	CHECKED-	S.HOW		
	APPROVED-	A.CLIFTON		
	CAD PLOT	DO NOT SCALE		
	DRAWING TITLE	ASSY - HOUSING - TWIN - FORD - DURATEC - 42MM - INJECTED		
	DRAWING NUMBER	102-104-00010		