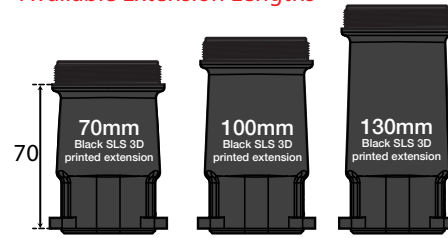


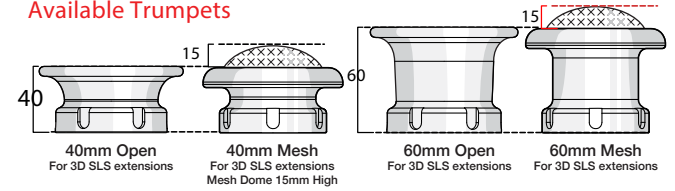
NOTE;

BLADE DIMENSIONS - 48 WIDE x 32 HIGH
 = \varnothing 42mm EQUIVALENT OVAL

Available Extension Lengths



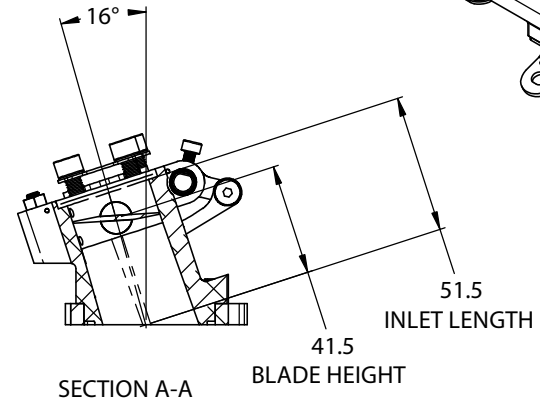
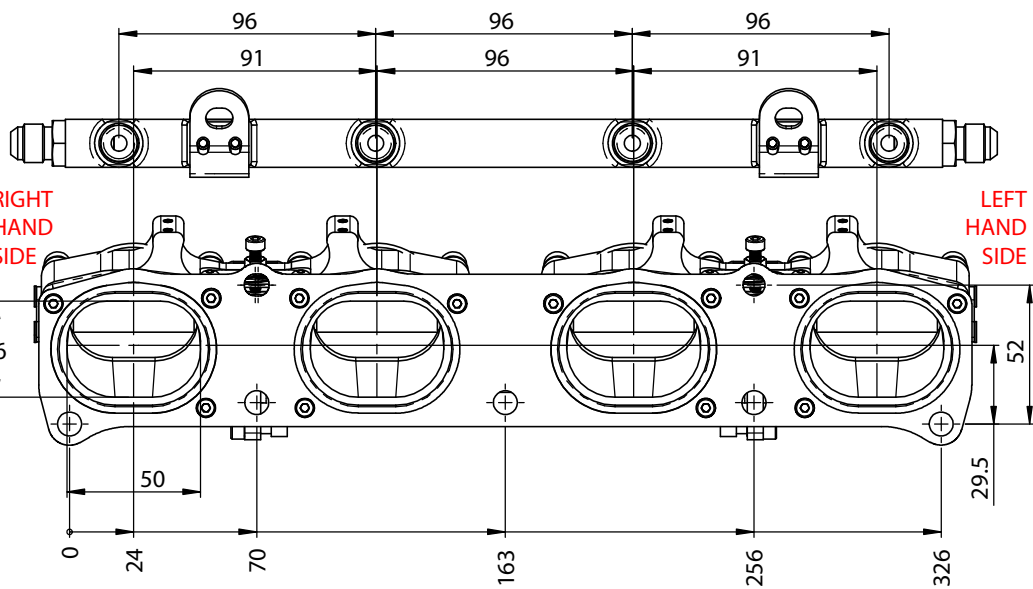
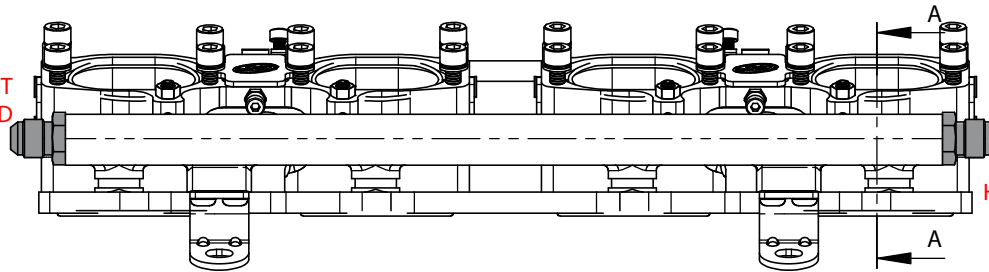
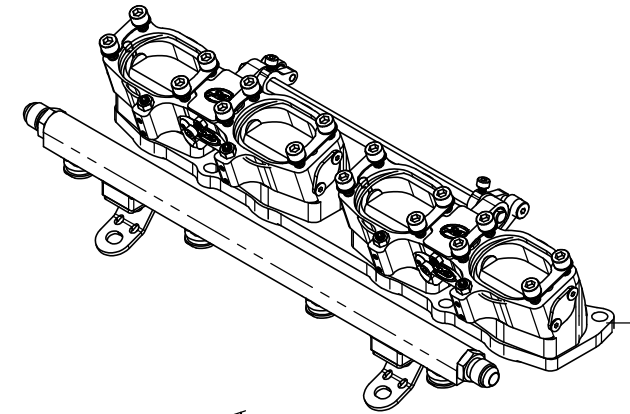
Available Trumpets



RIGHT HAND SIDE

LEFT HAND SIDE

JIC-6 FITTINGS OR 8MM HOSE TAILS:



<p>S-CAN 3D Ltd Bunn's Bank Ind Est Attleborough NR17 1QD</p>	<p>THIRD ANGLE PROJECTION</p>		MATERIAL	SEE COMPONENT PARTS
	SCALE 1:2	WEIGHT 1.7 kg	FINISH	SEE COMPONENT PARTS
<p>UNLESS OTHERWISE STATED: DIMENSIONS IN MILLIMETRES TOLERANCES: LINEAR ± 0.1 ANGULAR $\pm 0.5^\circ$ SURFACE FINISH $\sqrt{}$ = $\sqrt{}$ DRAWING STANDARDS TO ATQS 6003 DATE FORMAT: DD/MM/YY</p> <p>THIS DESIGN IS THE PROPERTY OF S-CAN 3D LTD AND MUST NOT BE REPRODUCED OR COMMUNICATED WITHOUT AUTHORITY</p>	DRAWN-	S.HOW	DRAWING TITLE	ASSY - HOUSING - TWIN - FORD - DURATEC - 42MM - NON-INJECTED
	DATE-	11/02/20		
	CHECKED-	S.HOW	APPROVED-	A.CLIFTON