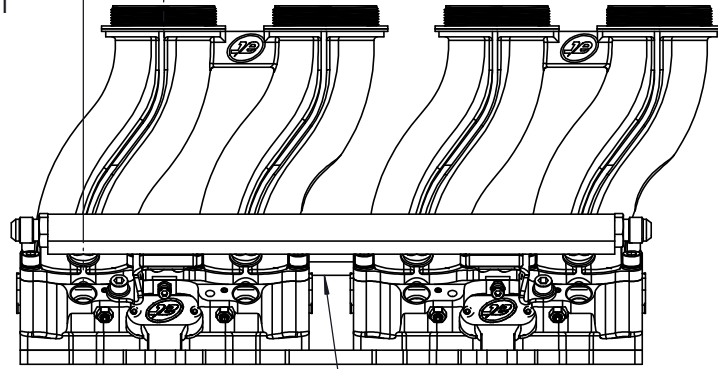


45  
OFFSET

RIGHT  
SIDE



LEFT  
SIDE

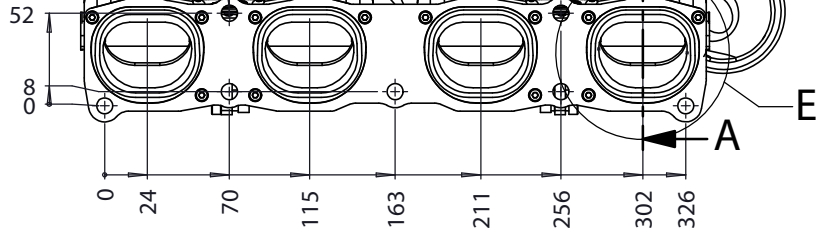
CHOICE OF CENTRAL CABLE PULL  
OR DBW

7 x Ø 9 THRU ALL

JIC-6 FITTINGS OR  
8MM HOSE TAILS:

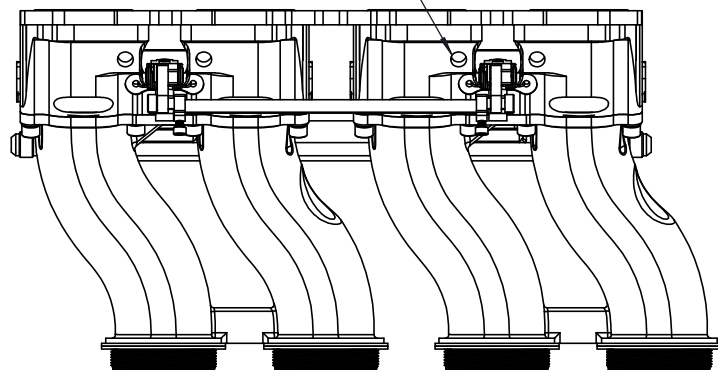


RIGHT  
SIDE

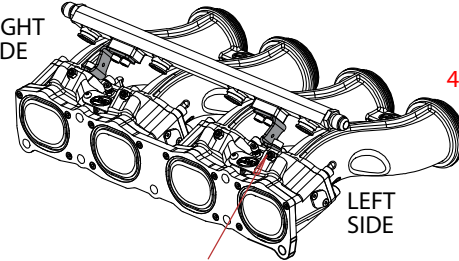


LEFT  
SIDE

1/8" BSP VACUUM TAKE OFFS AVAILABLE  
DRILL 4MM HOLE THROUGH IF REQUIRED



RIGHT  
SIDE



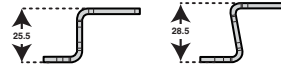
LEFT  
SIDE

40mm RAM PIPES AVAILABLE:

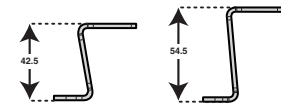
OPEN  
OR  
MESH FILTER (+15mm HIGH)



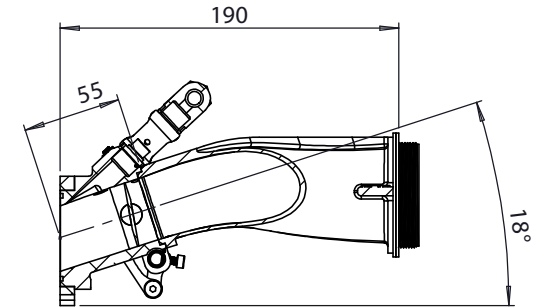
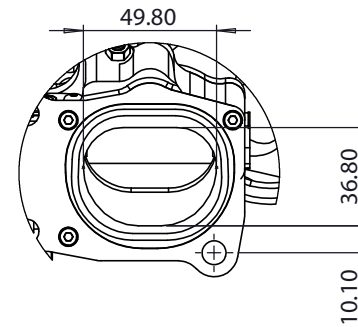
FUEL RAIL BRACKET OPTIONS:



Suits Part	Bosch EV14 Short 102-211-00204	Suits Part	Pico's (Standard) 102-211-00064
------------	-----------------------------------	------------	------------------------------------



Suits Part	Bosch EV14 Standard & EV12 Injectors 102-211-00285	Suits Part	Bosch EV14 Long & EV6 Injectors 102-211-00287
------------	---	------------	--



SECTION A-A

DETAIL E  
SCALE 1:2

<p>S-CAN 3D Ltd Bunns Bank Ind Est Attleborough NR17 1QD</p>	<p>THIRD ANGLE PROJECTION</p>	<p>MATERIAL</p> <p>SEE COMPONENT PARTS</p>	
		<p>SCALE 1:3</p>	<p>WEIGHT 2.2 kg</p>
<p>UNLESS OTHERWISE STATED: DIMENSIONS IN MILLIMETRES TOLERANCES: LINEAR ±0.1 ANGULAR ±0.5° SURFACE FINISH √ = √ DRAWING STANDARDS TO ATQS 6003 DATE FORMAT: DD/MM/YY</p> <p>THIS DESIGN IS THE PROPERTY OF S-CAN 3D LTD AND MUST NOT BE REPRODUCED OR COMMUNICATED WITHOUT AUTHORITY</p>	<p>DRAWN- S.HOW</p>	<p>FINISH</p> <p>SEE COMPONENT PARTS</p>	
	<p>DATE- 15/01/26</p>	<p>DRAWING TITLE</p> <p>ASSY - HOUSING - TWIN - MX5 - 45MM - 2.0L</p>	
	<p>CHECKED - S.HOW</p> <p>APPROVED - S.HOW</p>	<p>DRAWING NUMBER</p> <p>102-104-00179</p>	
<p>CAD PLOT DO NOT SCALE</p>	<p>SHEET 2 OF 2 A3</p>		