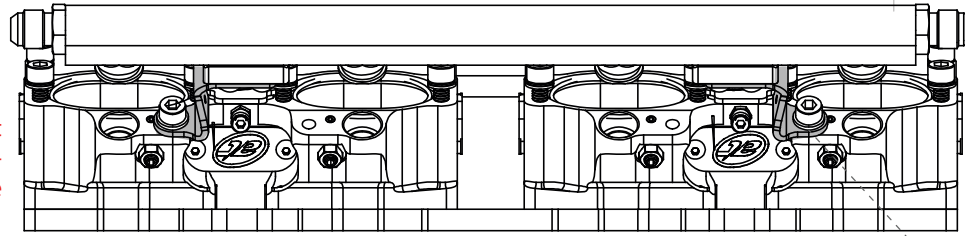
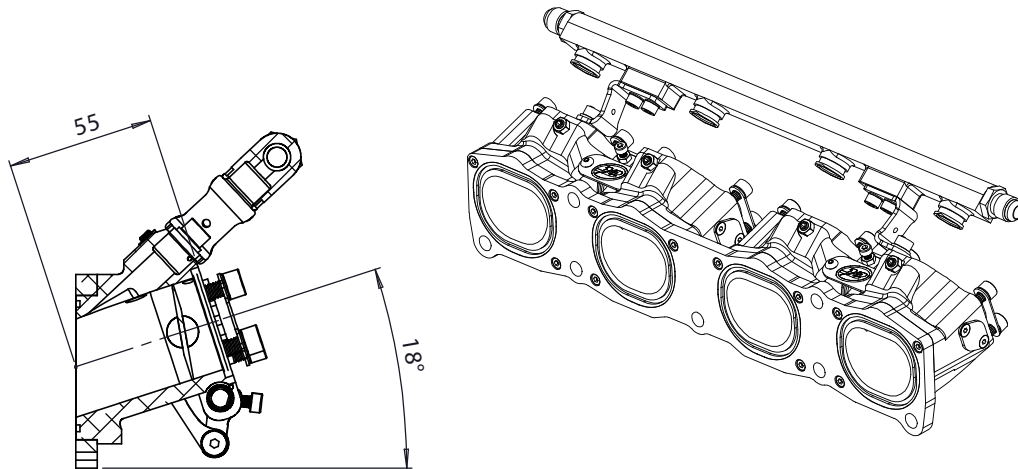
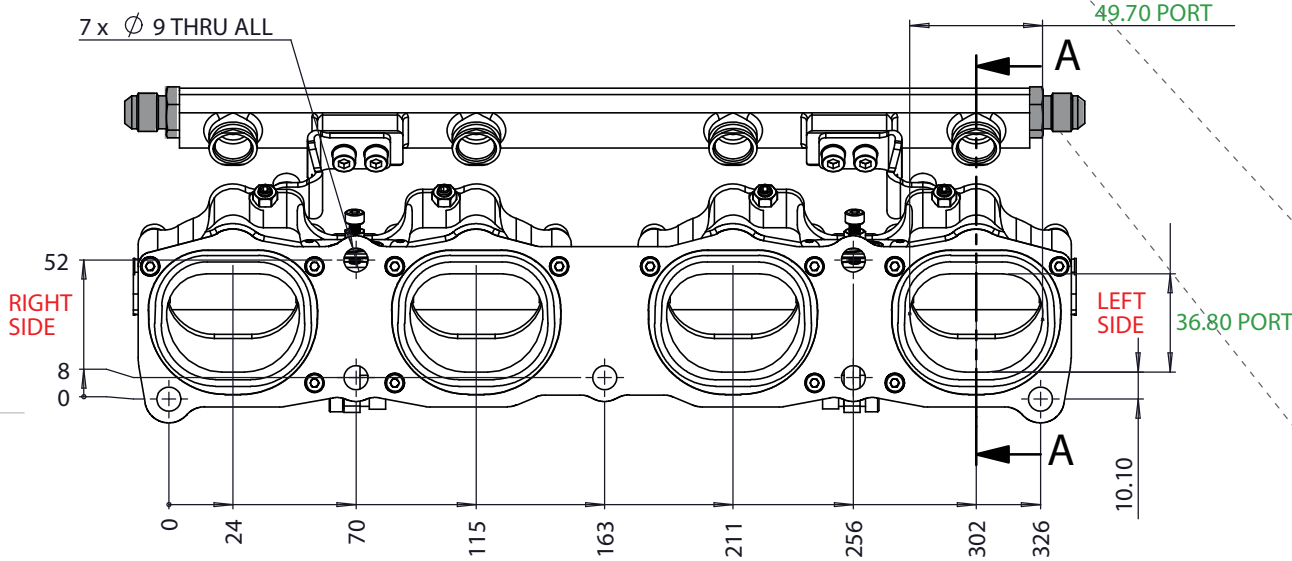


Right Side -
Select TPS Side

Left Side -
Select TPS Side



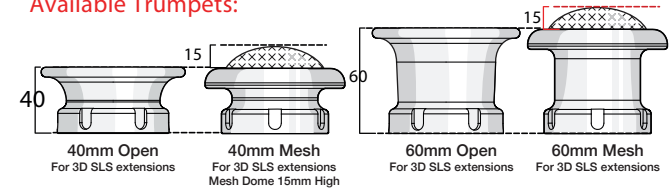
7 x \varnothing 9 THRU ALL



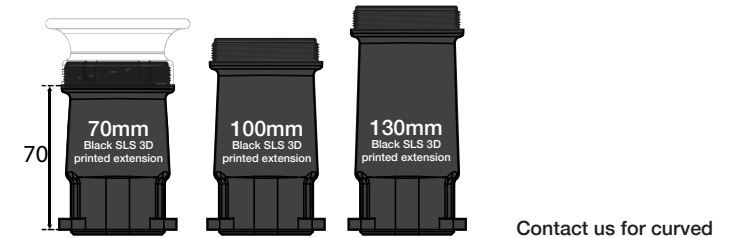
SECTION A-A

Ensure sizes fit in engine

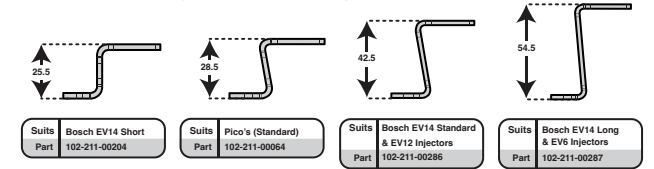
Available Trumpets:



Available Extension Lengths:



Available Fuel Injector Mounting Brackets:



Available Fuel Rail End Fittings:

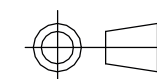


S-CAN 3D Ltd
Bunns Bank Ind Est
Attleborough NR17 1QD

UNLESS OTHERWISE STATED:
DIMENSIONS IN MILLIMETRES
TOLERANCES: LINEAR ± 0.1 ANGULAR $\pm 0.5^\circ$
SURFACE FINISH $\sqrt{=}$
DRAWING STANDARDS TO ATQS 6003
DATE FORMAT: DD/MM/YY

THIS DESIGN IS THE PROPERTY OF
S-CAN 3D LTD AND MUST NOT BE
REPRODUCED OR COMMUNICATED
WITHOUT AUTHORITY

CAD PLOT
DO NOT
SCALE



THIRD ANGLE PROJECTION

SCALE 1:2 WEIGHT 1.9 kg

DRAWN- S.HOW

DATE- 01/12/20

CHECKED- S.HOW

APPROVED- A.CLIFTON

MATERIAL

SEE COMPONENT PARTS

FINISH

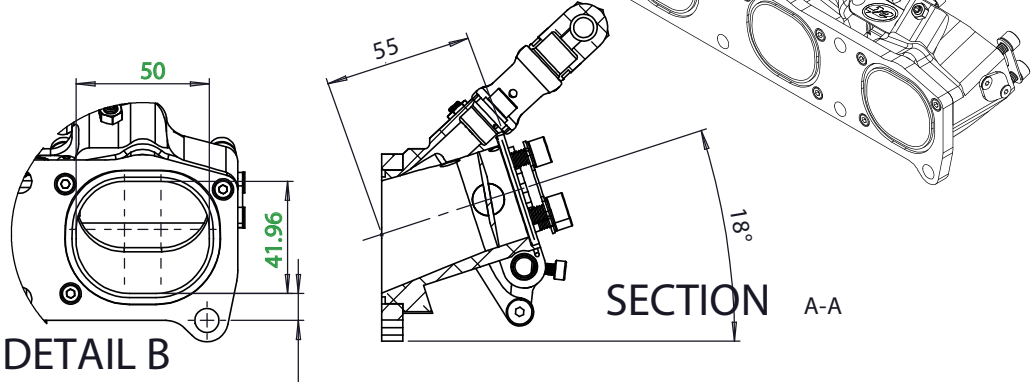
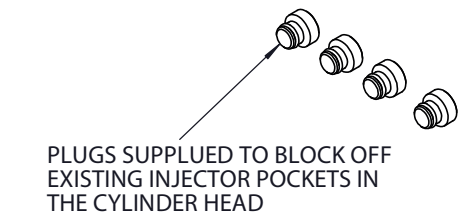
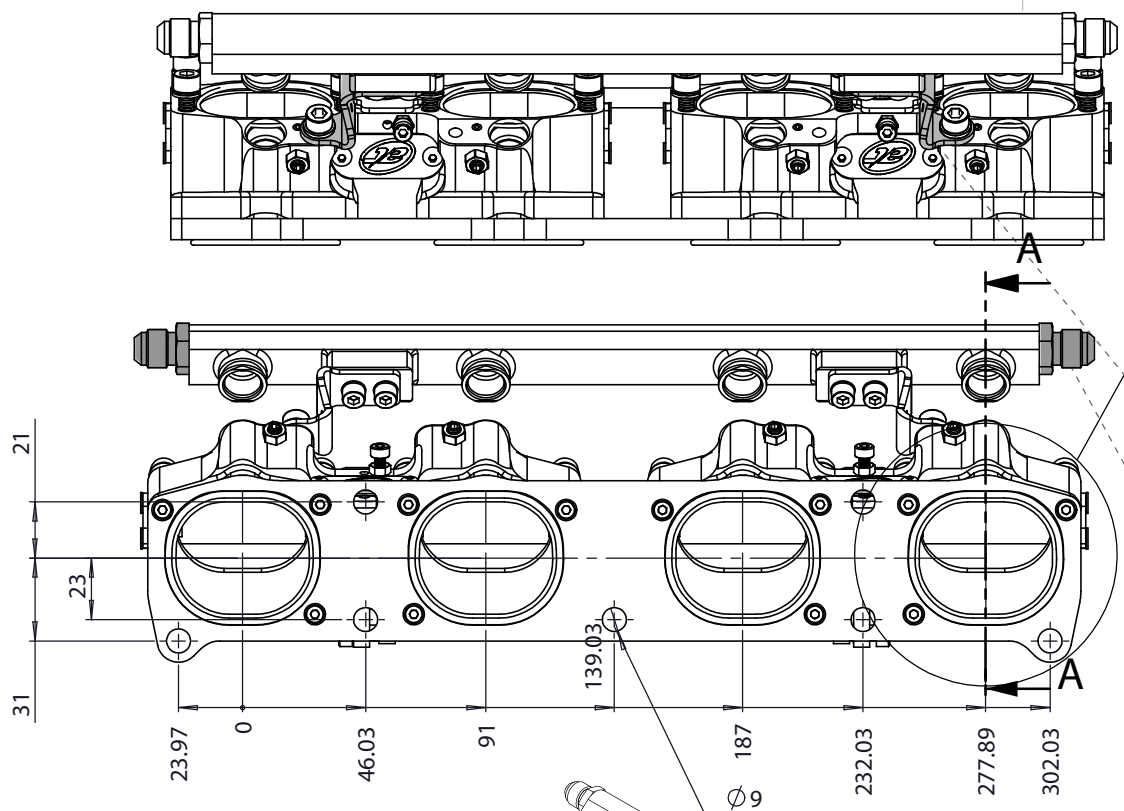
SEE COMPONENT PARTS

DRAWING TITLE

ASSY - HOUSING - TWIN -
DURATEC - 45MM - 2.0L & 2.3L

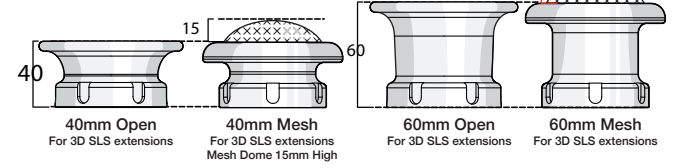
DRAWING NUMBER

102-104-00088

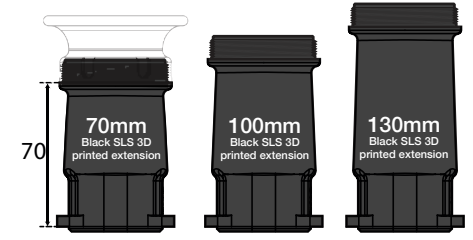


Ensure sizes fit in engine

Available Trumpets:

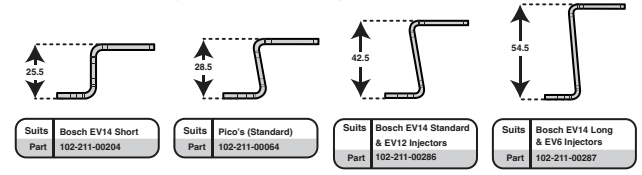


Available Extension Lengths:

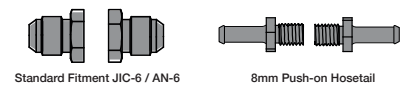


Contact us for curved

Available Fuel Injector Mounting Brackets:



Available Fuel Rail End Fittings:

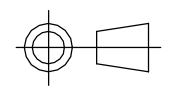


S-CAN 3D Ltd
Bunns Bank Ind Est
Attleborough NR17 1QD

UNLESS OTHERWISE STATED:
DIMENSIONS IN MILLIMETRES
TOLERANCES: LINEAR ± 0.1 ANGULAR $\pm 0.5^\circ$
SURFACE FINISH $\sqrt{=}$
DRAWING STANDARDS TO ATQS 6003
DATE FORMAT: DD/MM/YY

THIS DESIGN IS THE PROPERTY OF S-CAN 3D LTD AND MUST NOT BE REPRODUCED OR COMMUNICATED WITHOUT AUTHORITY

CAD PLOT
DO NOT
SCALE



THIRD ANGLE PROJECTION

SCALE 1:2 WEIGHT 1.7 kg

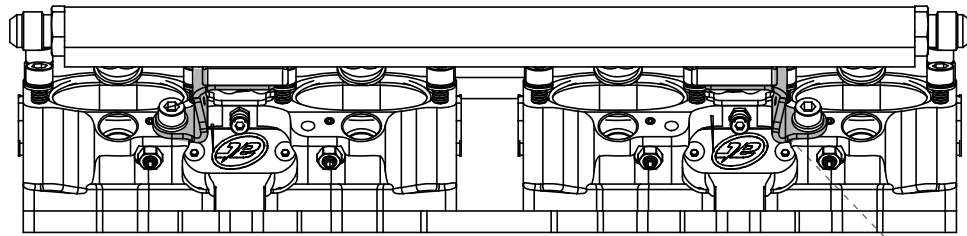
DRAWN- S.HOW

DATE- 01/12/20

CHECKED- S.HOW

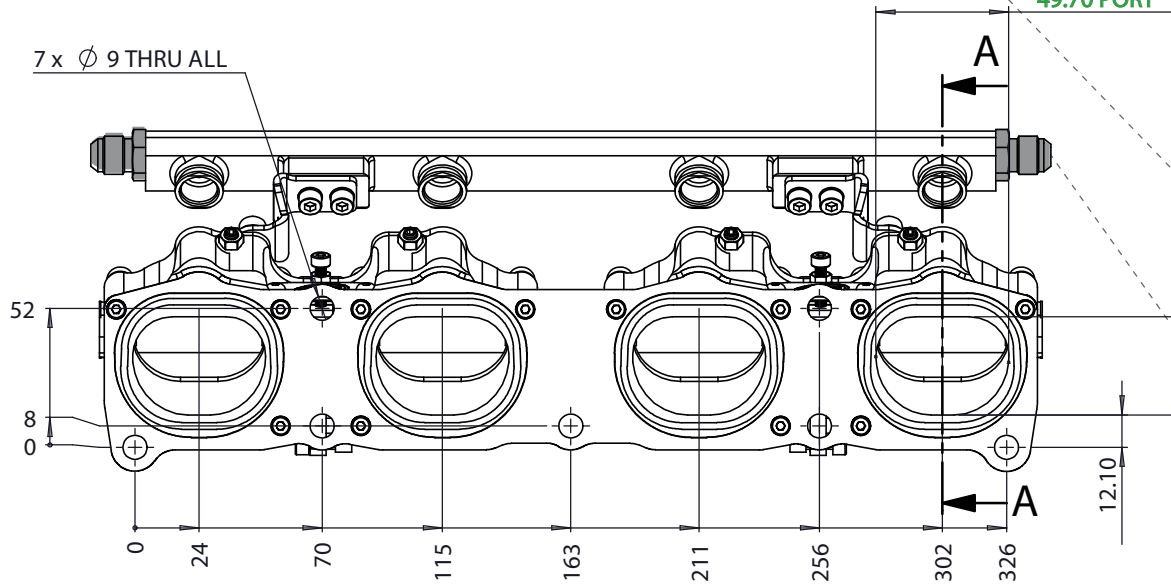
APPROVED- A.CLIFTON

MATERIAL	SEE COMPONENT PARTS
FINISH	SEE COMPONENT PARTS
DRAWING TITLE	ASSY-HOUSING-TWIN-FORD-DURATEC-45MM-2.5L WITH 2.5L PORT PROFILE
DRAWING NUMBER	102-104-00087

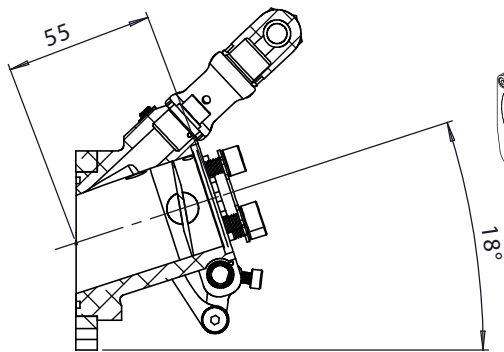


49.70 PORT

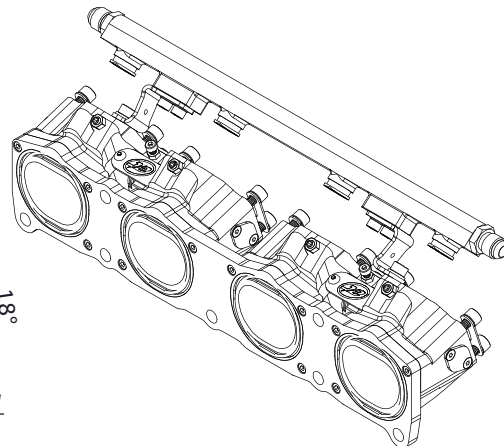
7 x Ø 9 THRU ALL



36.80 PORT

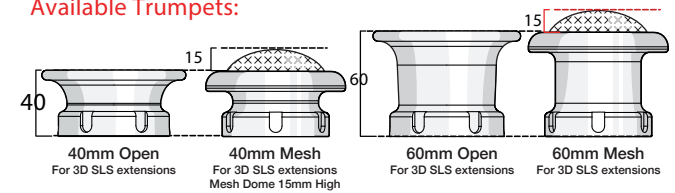


SECTION A-A

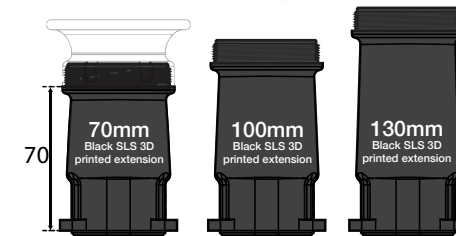


Ensure sizes fit in engine

Available Trumpets:

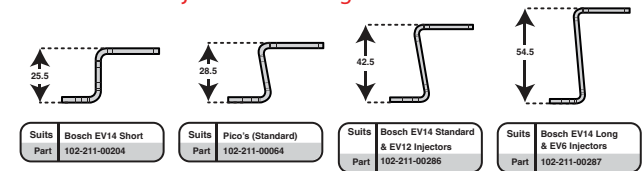


Available Extension Lengths:

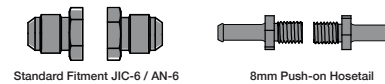


Contact us for curved

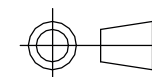
Available Fuel Injector Mounting Brackets:



Available Fuel Rail End Fittings:



S-CAN 3D Ltd
Bunns Bank Ind Est
Attleborough NR17 1QD



THIRD ANGLE PROJECTION

SCALE 1:2 WEIGHT 1.9 kg

DRAWN- S.HOW

DATE- 01/12/20

CHECKED - S.HOW

APPROVED - A.CLIFTON

UNLESS OTHERWISE STATED:
DIMENSIONS IN MILLIMETRES
TOLERANCES: LINEAR ±0.1 ANGULAR ±0.5°
SURFACE FINISH √ = √
DRAWING STANDARDS TO ATQS 6003
DATE FORMAT: DD/MM/YY

THIS DESIGN IS THE PROPERTY OF
S-CAN 3D LTD AND MUST NOT BE
REPRODUCED OR COMMUNICATED
WITHOUT AUTHORITY

CAD PLOT
DO NOT
SCALE

MATERIAL

SEE COMPONENT PARTS

FINISH

SEE COMPONENT PARTS

DRAWING TITLE

ASSY-HOUSING-TWIN-FORD-
DURATEC-45MM-2.5L WITH
2.0L PORT PROFILE

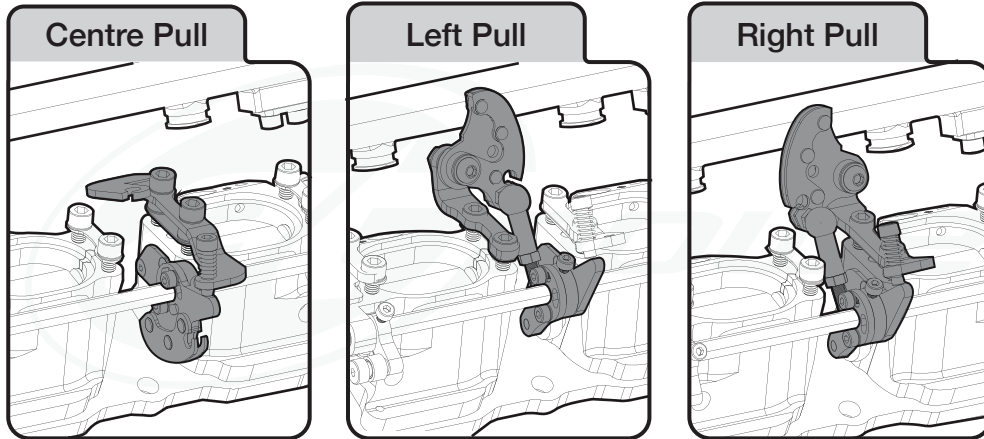
DRAWING NUMBER

102-104-00089

Select Cable Pull or Drive-By-Wire

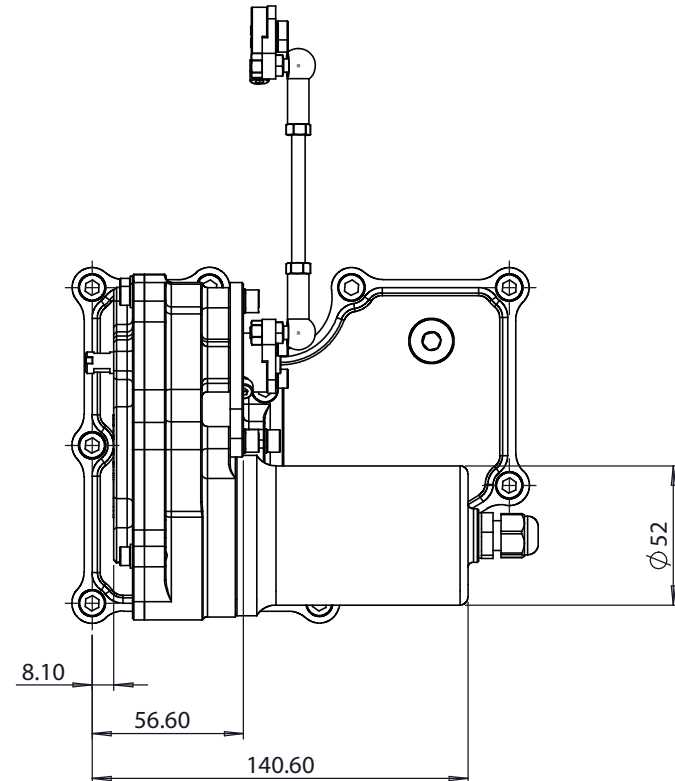
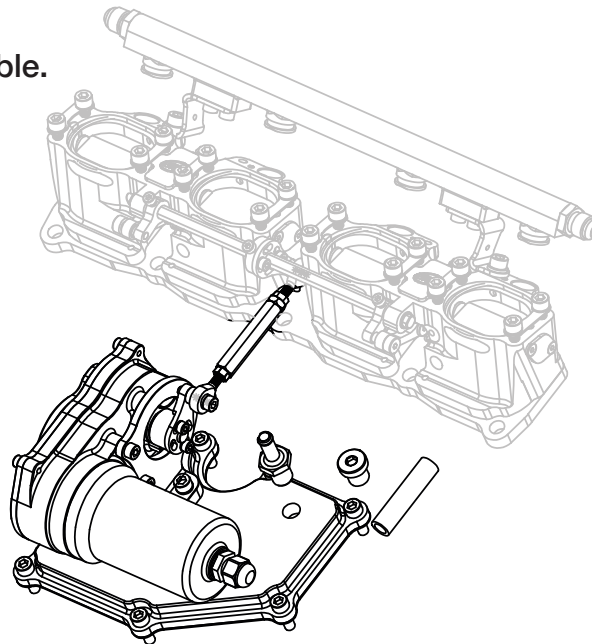
Cable Pull Linkage

All Linkage suitable for AT Power's 3m Motorsport Throttle Nipple Cable (Sold Separately)



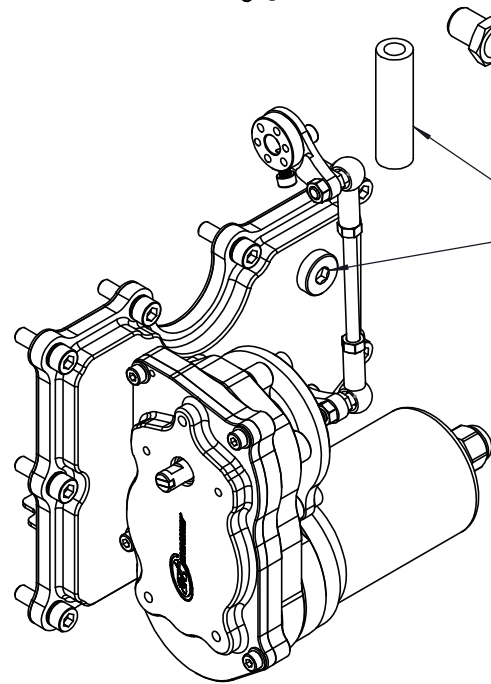
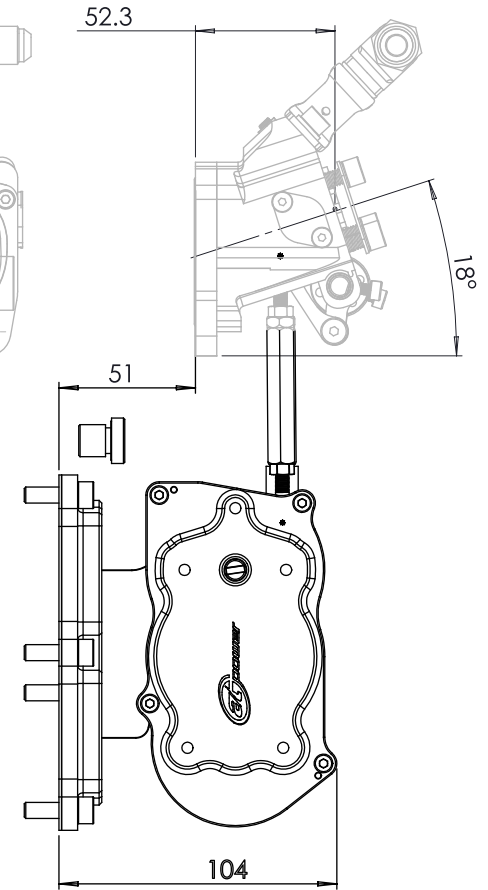
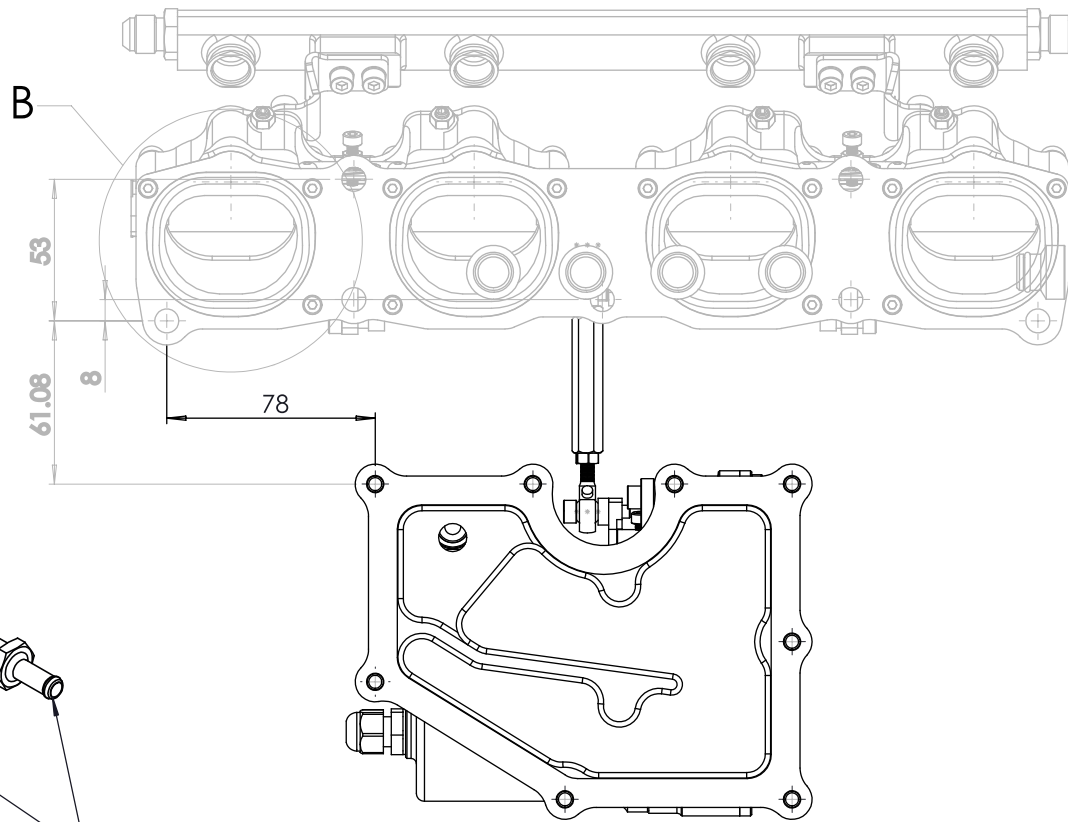
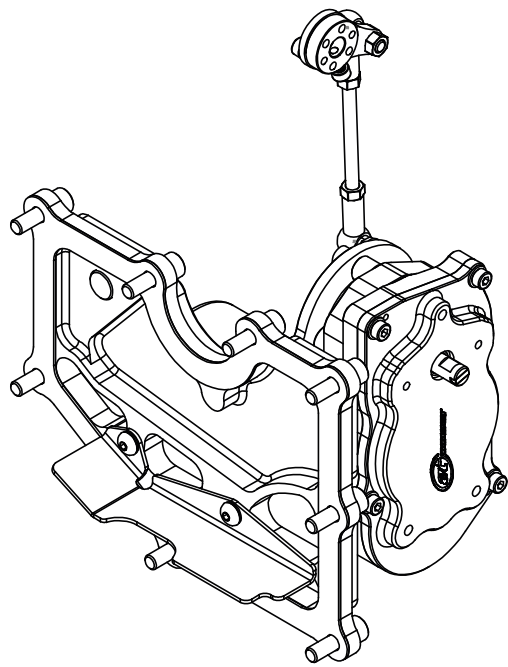
DBW (Drive-By-Wire) Actuator Mounting

If you have selected DBW an Optional XPK Variohm Hall Effect TPS is available.



Ensure sizes fit in engine

DBW Actuator bracketry technical drawings on next page

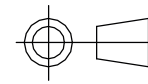


A FITTING AND HOSE IS PROVIDED FOR WET SUMP APPLICATIONS FOR DRY SUMPS USE PLUG

OPTIONAL DBW POSITION



S-CAN 3D Ltd
Bunns Bank Ind Est
Attleborough NR17 1QD



THIRD ANGLE PROJECTION

SCALE 1:2 WEIGHT 1.6 kg

DRAWN- S.HOW

DATE- 15/07/21

CHECKED - S.HOW

APPROVED - S.HOW

UNLESS OTHERWISE STATED:
DIMENSIONS IN MILLIMETRES
TOLERANCES: LINEAR ± 0.1 ANGULAR $\pm 0.5^\circ$
SURFACE FINISH $\sqrt{=}$
DRAWING STANDARDS TO ATQS 6003
DATE FORMAT: DD/MM/YY

THIS DESIGN IS THE PROPERTY OF S-CAN 3D LTD AND MUST NOT BE REPRODUCED OR COMMUNICATED WITHOUT AUTHORITY

CAD PLOT DO NOT SCALE

MATERIAL

SEE COMPONENT PARTS

FINISH

SEE COMPONENT PARTS

DRAWING TITLE

ASSY- DURATEC DBW
CENTRAL MOUNT

DRAWING NUMBER

102-106-00081