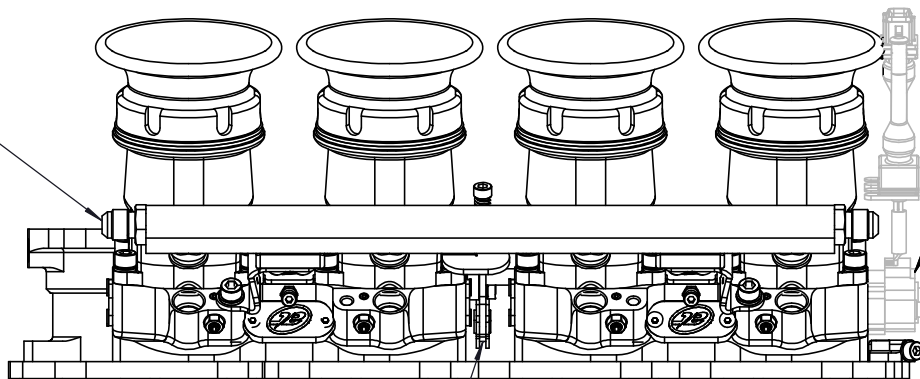
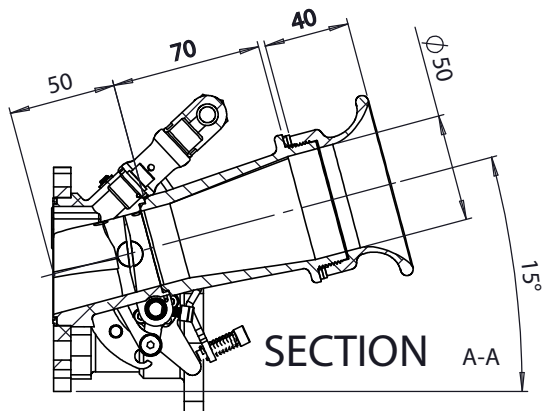
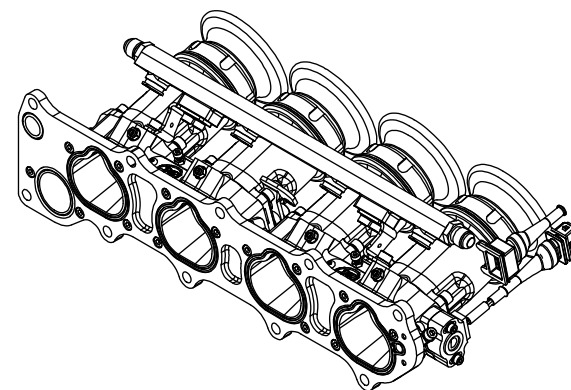
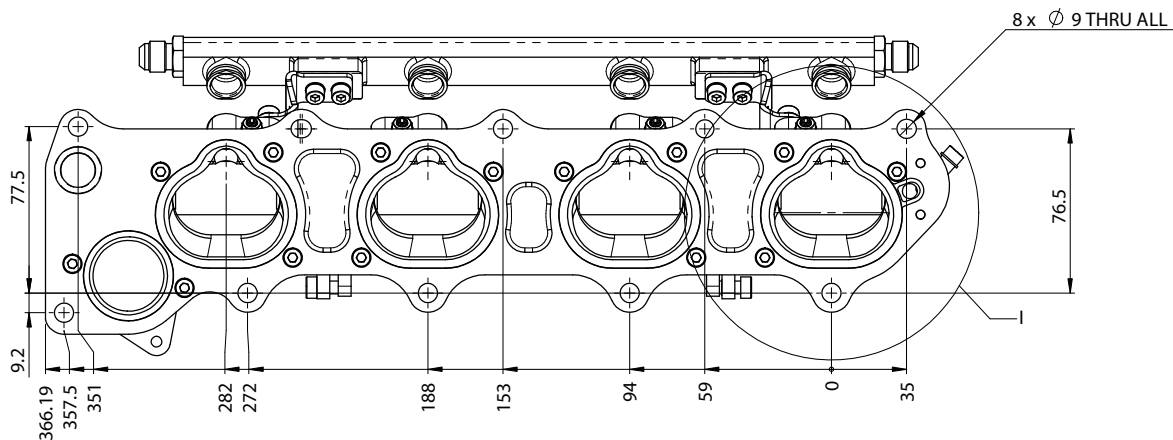
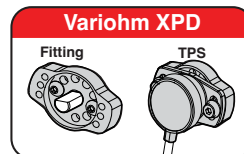
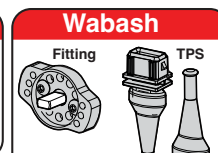
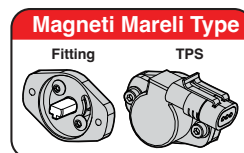


AN-6 FITTINGS
BOTH ENDS

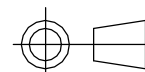


CENTRAL PULL CABLE LINKAGE

SELECT RIGHT SIDE
TPS SENSOR:



S-CAN 3D Ltd
Bunns Bank Ind Est
Attleborough NR17 1QD



THIRD ANGLE PROJECTION

SCALE 1:2.5 WEIGHT 2965.701 kg

DRAWN- S.SHOW

DATE- 18/07/25

CHECKED - S.SHOW

APPROVED - S.SHOW

UNLESS OTHERWISE STATED:
DIMENSIONS IN MILLIMETRES
TOLERANCES: LINEAR ±0.1 ANGULAR ±0.5°
SURFACE FINISH ✓ = ✓
DRAWING STANDARDS TO ATQS 6003
DATE FORMAT: DD/MM/YY

THIS DESIGN IS THE PROPERTY OF
S-CAN 3D LTD AND MUST NOT BE
REPRODUCED OR COMMUNICATED
WITHOUT AUTHORITY

CAD PLOT
DO NOT
SCALE

MATERIAL

SEE COMPONENT PARTS

FINISH

SEE COMPONENT PARTS

DRAWING TITLE

ASSY - HONDA - F20 - 45MM
- STD PORT - PRE-
CONFIGURED

DRAWING NUMBER

102-102-00586