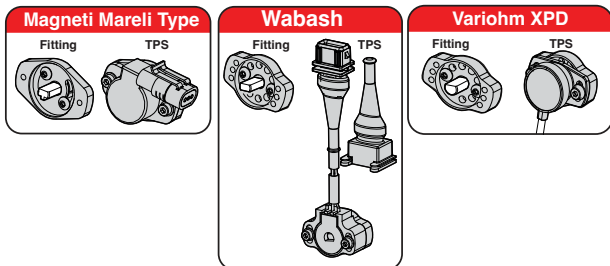
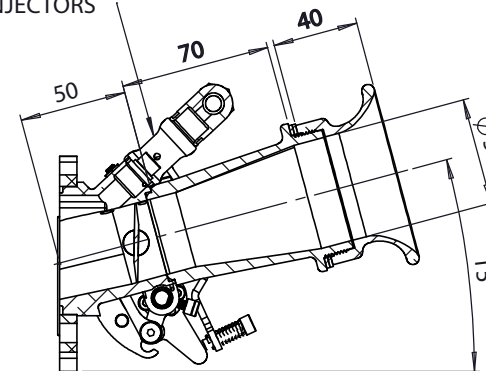


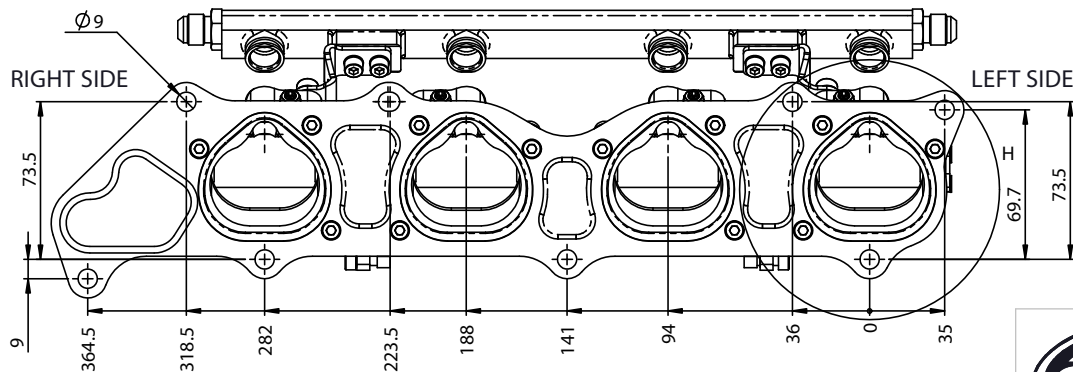
SELECT RIGHT HAND SIDE TPS:



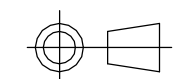
SUITABLE FOR PICO FUEL INJECTORS



SECTION A-A



S-CAN 3D Ltd
Bunns Bank Ind Est
Attleborough NR17 1QD



THIRD ANGLE PROJECTION
SCALE 1:2.5 WEIGHT 2790.801 kg

DRAWN- S.HOW
DATE- 18/07/25
CHECKED- S.HOW
APPROVED- S.HOW

MATERIAL	SEE COMPONENT PARTS
FINISH	SEE COMPONENT PARTS
DRAWING TITLE	ASSY - HONDA - K20 - FD2-STD PORT - PRE-CONFIGURED
DRAWING NUMBER	102-102-00588

UNLESS OTHERWISE STATED:
DIMENSIONS IN MILLIMETRES
TOLERANCES: LINEAR ±0.1 ANGULAR ±0.5°
SURFACE FINISH √ = √
DRAWING STANDARDS TO ATQS 6003
DATE FORMAT: DD/MM/YY
THIS DESIGN IS THE PROPERTY OF S-CAN 3D LTD AND MUST NOT BE REPRODUCED OR COMMUNICATED WITHOUT AUTHORITY

CAD PLOT DO NOT SCALE