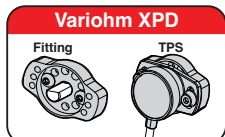
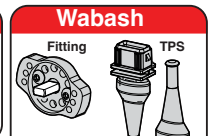
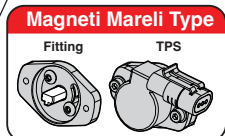
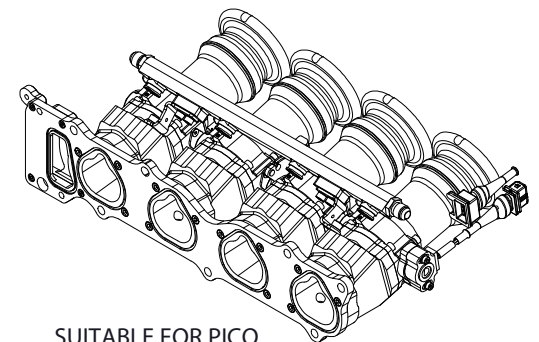


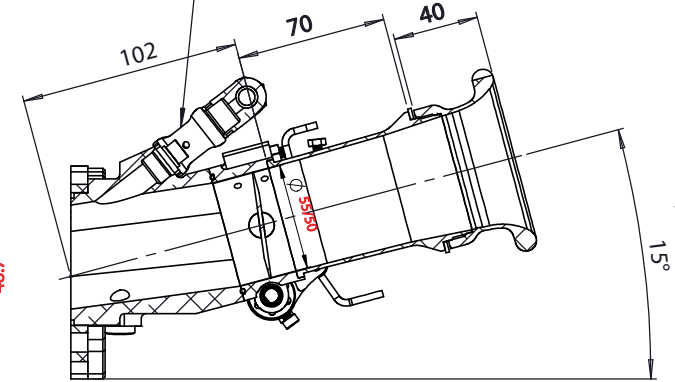
SELECT LEFT SIDE TPS



MEGAFLOW AIR FILTER SOLD SEPARATELY
JC50/S65
PART No. 102-108-00039



SUITABLE FOR PICO FUEL INJECTORS



SECTION A-A

CENTRE PULL CABLE LINKAGE AND IDLE ADJUSTMENT

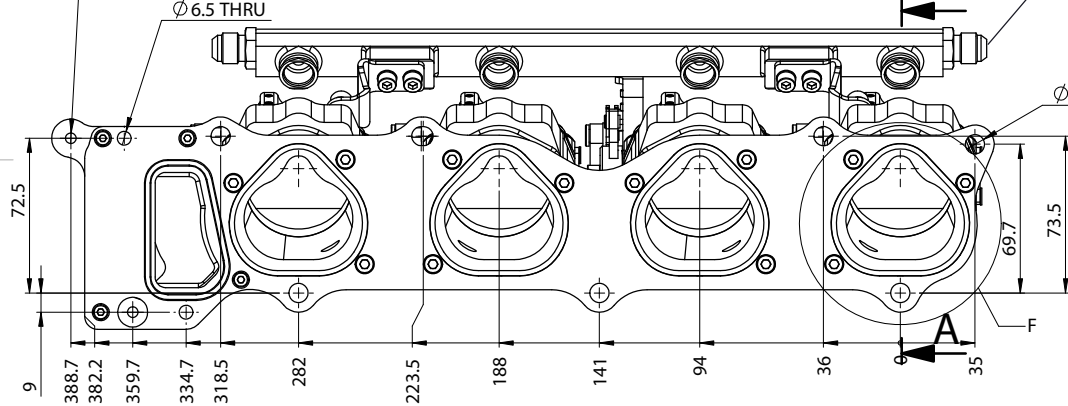
AN-6 FITTINGS BOTH ENDS

1/8" BSP VACUUM TAKE OFFS AVAILABLE SUPPLIED WITH PLUGS

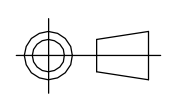
2 x Ø 5 THRU ALL
M6x1.0 - 6H THRU ALL

Ø 6.5 THRU

Ø 9 THRU



S-CAN 3D Ltd
Bunns Bank Ind Est
Attleborough NR17 1QD



SCALE 1:2.5 WEIGHT 4489.311g

DRAWN- S.HOW

DATE- 18/07/25

CHECKED- S.HOW

APPROVED- S.HOW

UNLESS OTHERWISE STATED:
DIMENSIONS IN MILLIMETRES
TOLERANCES: LINEAR ±0.1 ANGULAR ±0.5°
SURFACE FINISH √ = √
DRAWING STANDARDS TO ATQS 6003
DATE FORMAT: DD/MM/YY
THIS DESIGN IS THE PROPERTY OF
S-CAN 3D LTD AND MUST NOT BE
REPRODUCED OR COMMUNICATED
WITHOUT AUTHORITY

CAD PLOT
DO NOT
SCALE

MATERIAL	SEE COMPONENT PARTS
FINISH	SEE COMPONENT PARTS
DRAWING TITLE	ASSY - HONDA - K20 - DC5 - STD PORT - ALI EXT - CABLE PRE-CONFIGURED
DRAWING NUMBER	102-102-00589 = 50mm Throttle 102-102-00591 = 55mm Throttle