

RIGHT SIDE

LEFT SIDE

CENTRAL CABLE PULL WITH IDLE ADJUSTMENT

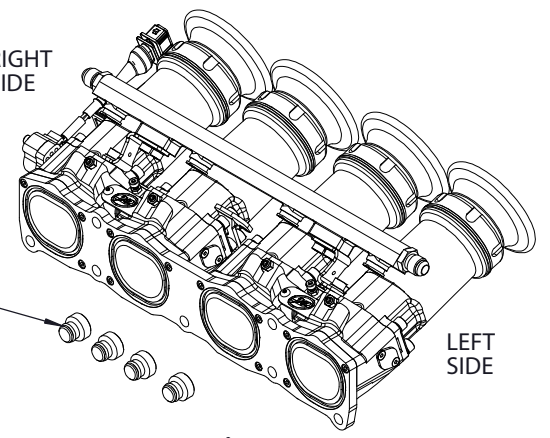
7 x Ø 9 THRU ALL

AN-6 MALE FITTINGS AT BOTH ENDS

MEGAFLOW AIR FILTER SOLD SEPARATLY
JC50/S65
PART No. 102-108-00039

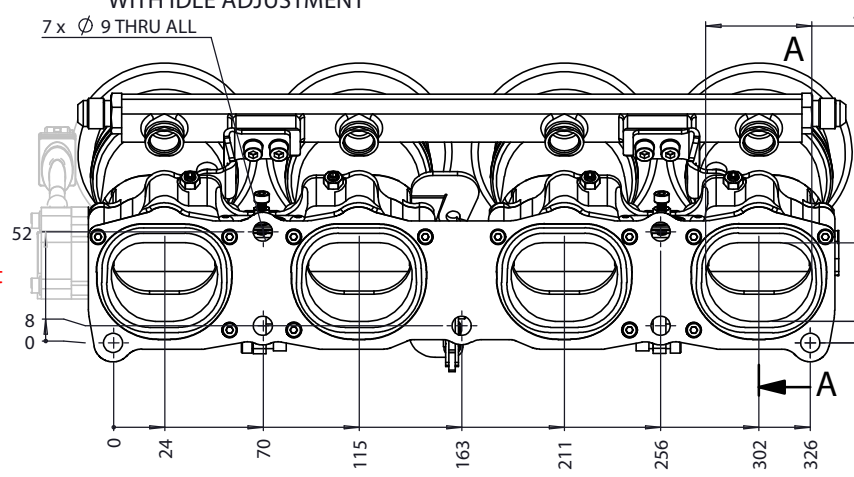
RIGHT SIDE

LEFT SIDE



PLUGS SUPPLIED TO BLOCK OFF EXISTING INJECTOR POCKETS IN THE CYLINDER HEAD

Select Right Side TPS

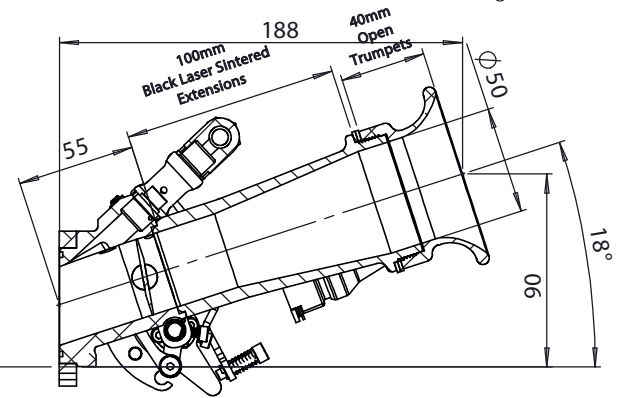


49.70 PORT

LEFT SIDE

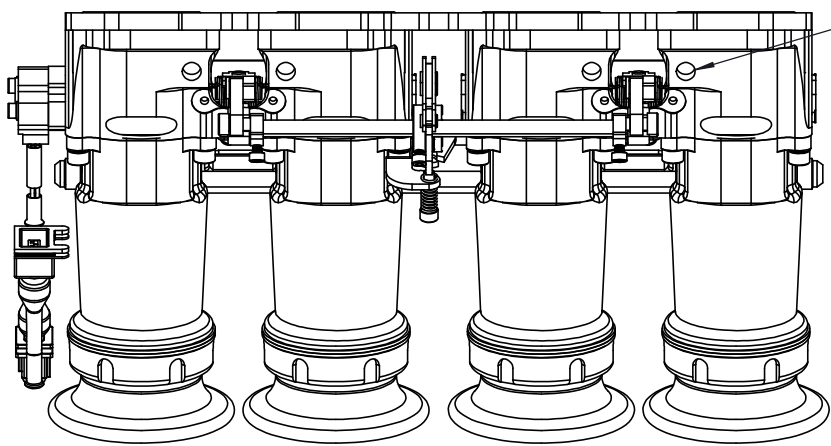
36.80 PORT

10:10

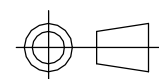


SECTION A-A

1/8" BSP VACUUM TAKE OFFS AVAILABLE
DRILL 4MM HOLES IF REQUIRED



S-CAN 3D Ltd
Bunns Bank Ind Est
Attleborough NR17 1QD



THIRD ANGLE PROJECTION

SCALE 1:2.5 WEIGHT 2901.032 kg

DRAWN- S.HOW

DATE- 15/09/25

CHECKED- S.HOW

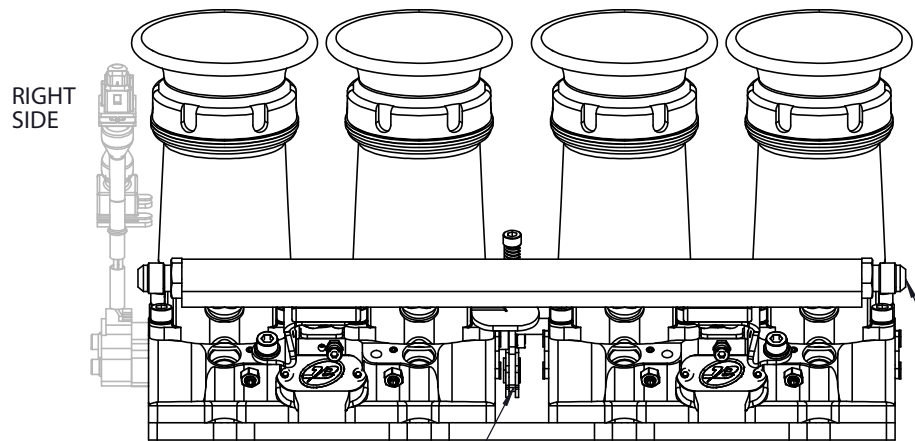
APPROVED- S.HOW

UNLESS OTHERWISE STATED:
DIMENSIONS IN MILLIMETRES
TOLERANCES: LINEAR ±0.1 ANGULAR ±0.5°
SURFACE FINISH √ = √
DRAWING STANDARDS TO ATQS 6003
DATE FORMAT: DD/MM/YY

THIS DESIGN IS THE PROPERTY OF S-CAN 3D LTD AND MUST NOT BE REPRODUCED OR COMMUNICATED WITHOUT AUTHORITY

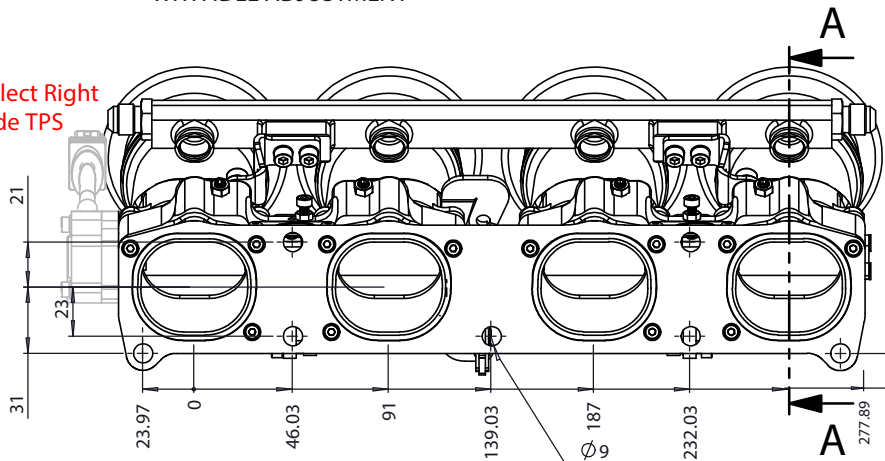
CAD PLOT DO NOT SCALE

MATERIAL	SEE COMPONENT PARTS
FINISH	SEE COMPONENT PARTS
DRAWING TITLE	Select Engine Size ASSY- FORD - DURATEC - 2.0L & 2.3L - 45MM - INJECTED - PRE-CONFIGURED
DRAWING NUMBER	102-102-00606



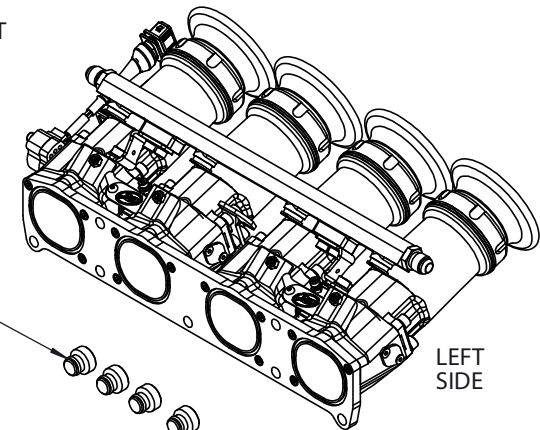
CENTRAL CABLE PULL WITH IDLE ADJUSTMENT

Select Right Side TPS



LEFT SIDE

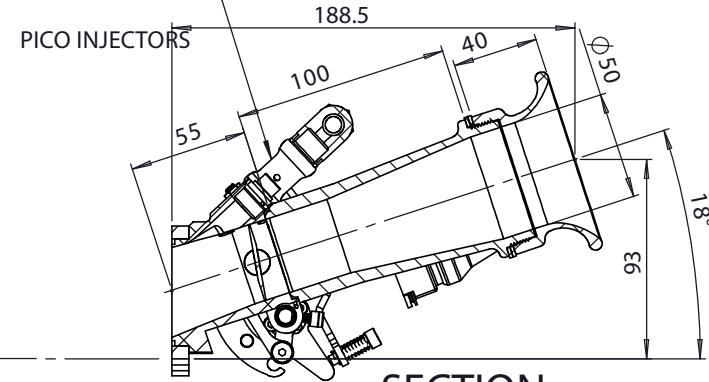
MEGAFLOW AIR FILTER SOLD SEPARATLY JC50/S65 PART No. 102-108-00039



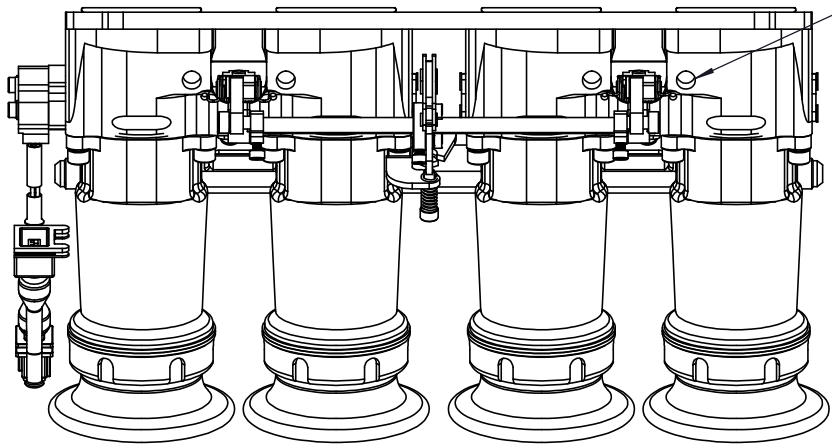
PLUGS SUPPLIED TO BLOCK OFF EXISTING INJECTOR POCKETS IN THE CYLINDER HEAD

AN-6 MALE FITTINGS AT BOTH ENDS

FUEL RAIL BRACKETS FITTED TO SUITE



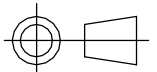
SECTION A-A



1/8" BSP VACUUM TAKE OFF AVAILABLE DRILL 4MM HOLE THROUGH IF REQUIRED.



S-CAN 3D Ltd
Bunns Bank Ind Est
Attleborough NR17 1QD



THIRD ANGLE PROJECTION

SCALE	WEIGHT
1:2.5	2769.799g

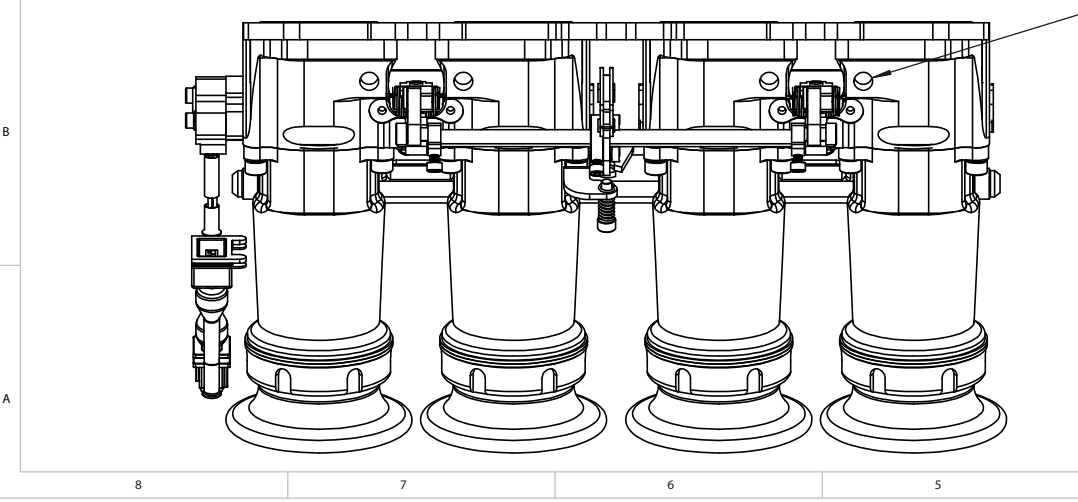
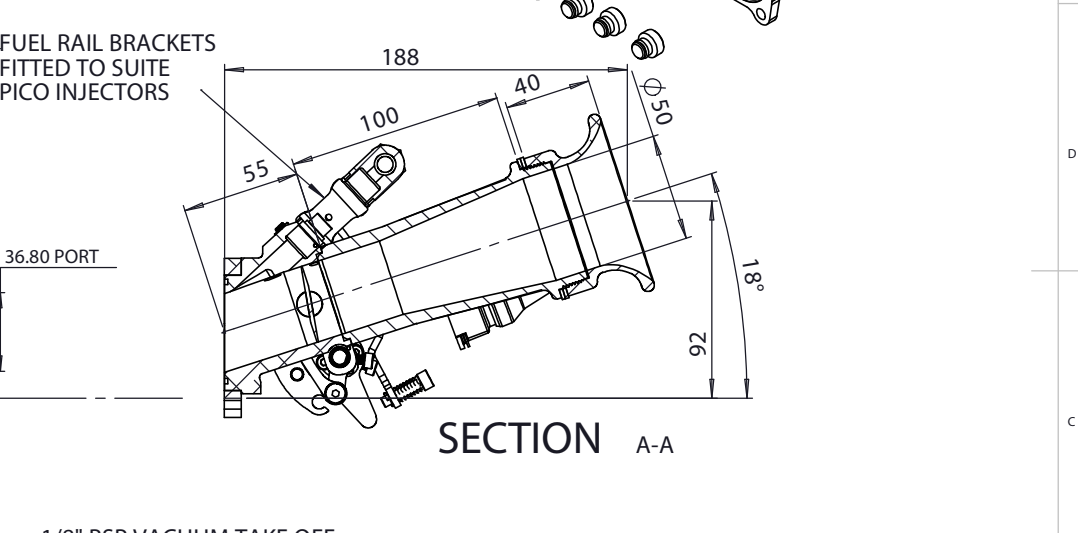
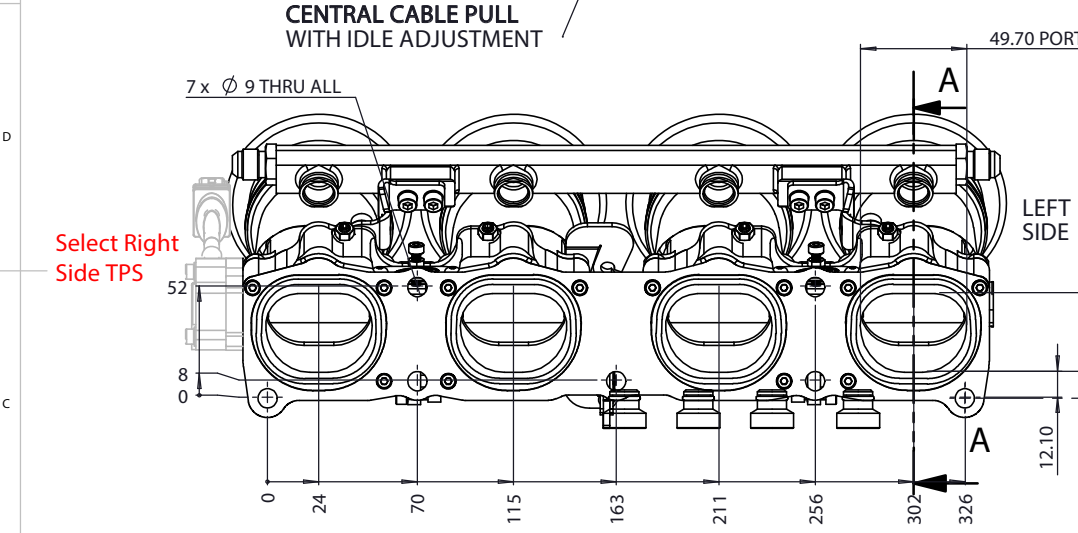
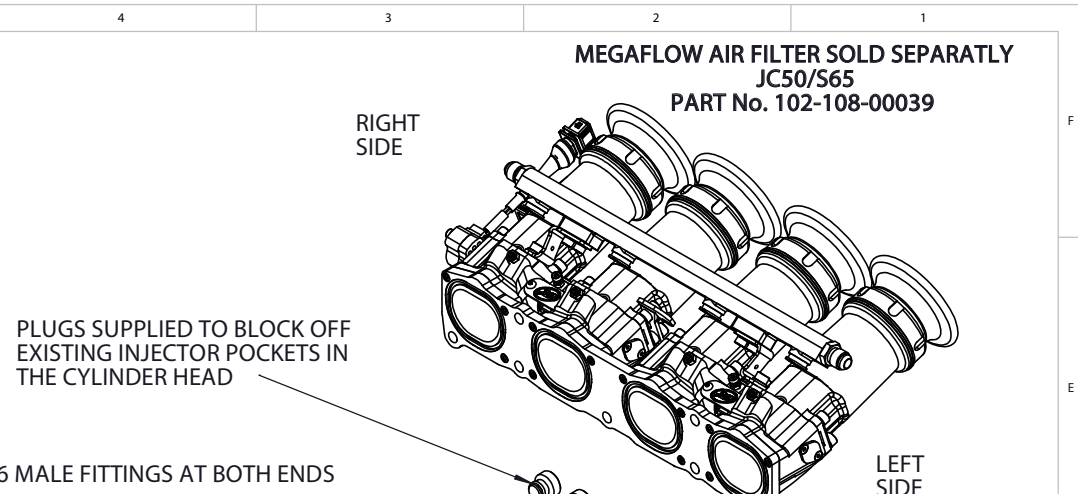
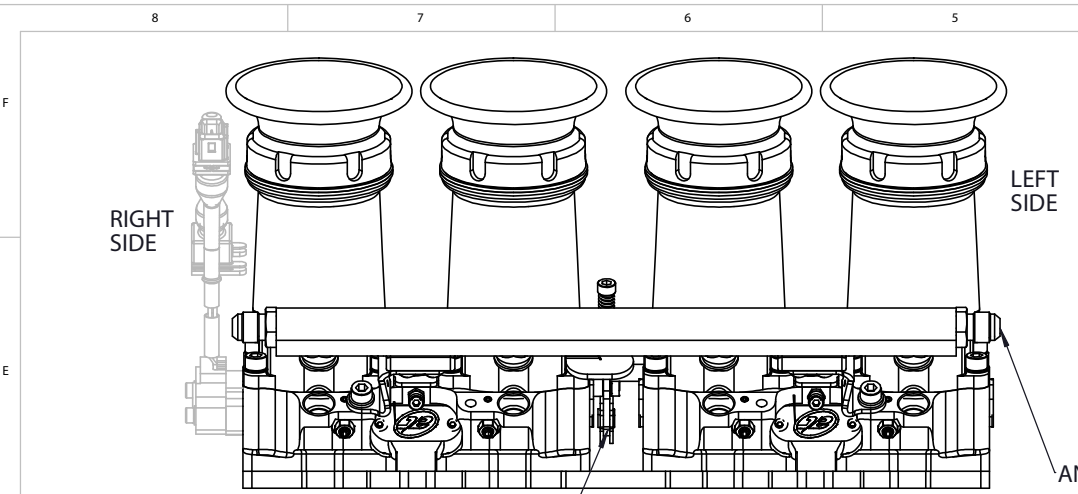
MATERIAL	SEE COMPONENT PARTS
FINISH	SEE COMPONENT PARTS
DRAWING TITLE	Select Engine Size FORD - DURATEC - 2.5L + 2.5L Intake 45MM - INJECTED - PRE-CONFIGURED
DRAWING NUMBER	102-102-00607

UNLESS OTHERWISE STATED:
DIMENSIONS IN MILLIMETRES
TOLERANCES: LINEAR ±0.1 ANGULAR ±0.5°
SURFACE FINISH √ = √
DRAWING STANDARDS TO ATQS 6003
DATE FORMAT: DD/MM/YY

THIS DESIGN IS THE PROPERTY OF S-CAN 3D LTD AND MUST NOT BE REPRODUCED OR COMMUNICATED WITHOUT AUTHORITY

CAD PLOT DO NOT SCALE

DRAWN-	S.HOW
DATE-	15/09/25
CHECKED-	S.HOW
APPROVED-	S.HOW



1/8" BSP VACUUM TAKE OFF AVAILABLE
DRILL 4MM HOLES THROUGH IF REQUIRED

<p>S-CAN 3D Ltd Bunns Bank Ind Est Attleborough NR17 1QD</p>	<p>THIRD ANGLE PROJECTION</p>		MATERIAL	SEE COMPONENT PARTS
	SCALE 1:2.5	WEIGHT 2906.925 kg	FINISH	SEE COMPONENT PARTS
<p>UNLESS OTHERWISE STATED: DIMENSIONS IN MILLIMETRES TOLERANCES: LINEAR ±0.1 ANGULAR ±0.5° SURFACE FINISH √ = √ DRAWING STANDARDS TO ATQS 6003 DATE FORMAT: DD/MM/YY</p> <p>THIS DESIGN IS THE PROPERTY OF S-CAN 3D LTD AND MUST NOT BE REPRODUCED OR COMMUNICATED WITHOUT AUTHORITY</p>	DRAWN-	S.HOW	DRAWING TITLE Select Engine Size FORD - DURATEC - 2.5L - 45MM - INJECTED -WITH 2.0L INLET PORTS - PRE-CONFIGURED	
	DATE-	15/09/25		
	CHECKED-	S.HOW	DRAWING NUMBER	102-102-00608
CAD PLOT DO NOT SCALE	APPROVED-	S.HOW		SHEET 2 OF 2 A3