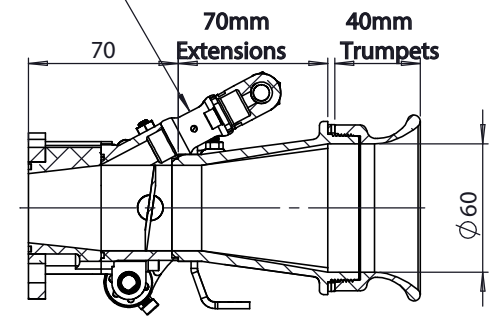
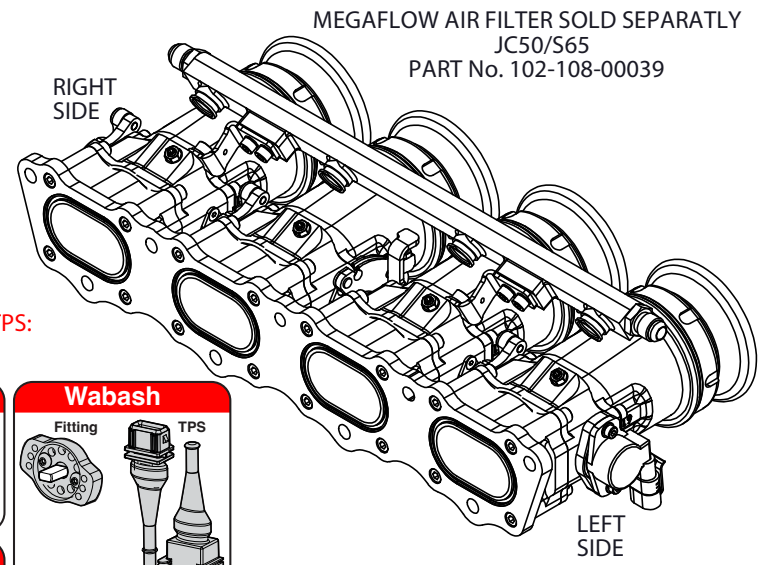
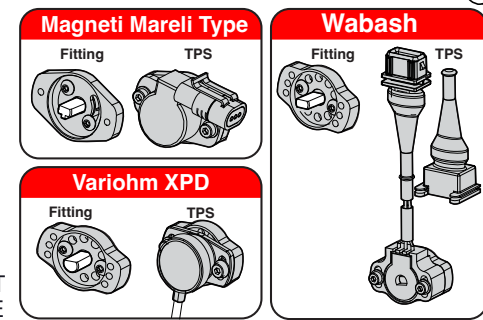



Select Left Hand Side TPS:
Magneti Marelli Type pictured



1/8" BSP VACUUM TAKE OFF AVAILABLE.
DRILL 4MM HOLE IF REQUIRED.

 S-CAN 3D Ltd Bunn's Bank Ind Est Attleborough NR17 1QD	THIRD ANGLE PROJECTION		MATERIAL	SEE COMPONENT PARTS	
	SCALE 1:2.5	WEIGHT 3.507 kg	FINISH SEE COMPONENT PARTS		
UNLESS OTHERWISE STATED: DIMENSIONS IN MILLIMETRES TOLERANCES: LINEAR ± 0.1 ANGULAR $\pm 0.5^\circ$ SURFACE FINISH $\sqrt{}$ = $\sqrt{}$ DRAWING STANDARDS TO ATQS 6003 DATE FORMAT: DD/MM/YY THIS DESIGN IS THE PROPERTY OF S-CAN 3D LTD AND MUST NOT BE REPRODUCED OR COMMUNICATED WITHOUT AUTHORITY	DRAWN-	S.HOW	DRAWING TITLE ASSY - FORD COSWORTH YB 52MM - PRE-CONFIGURED		
	DATE-	22/09/25	DRAWING NUMBER		
	CHECKED -	S.HOW	102-102-00613		
APPROVED -	S.HOW	SHEET 2 OF 2 A3			