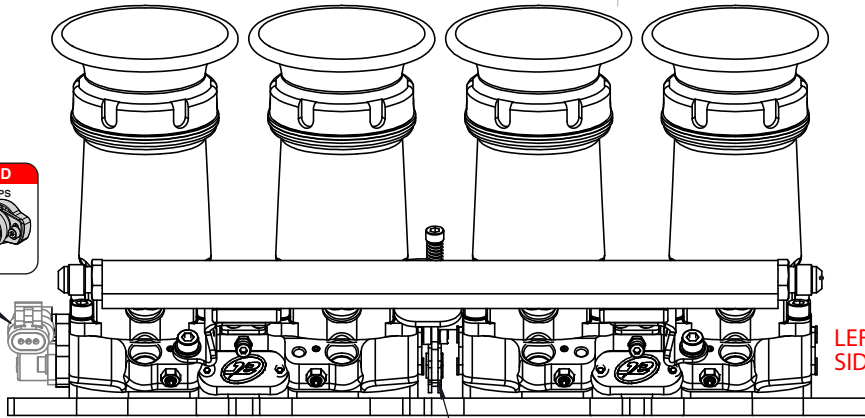
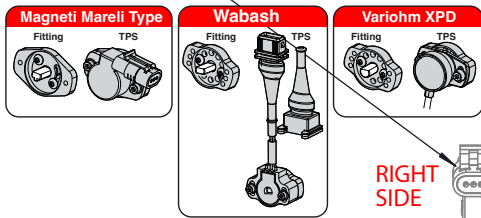
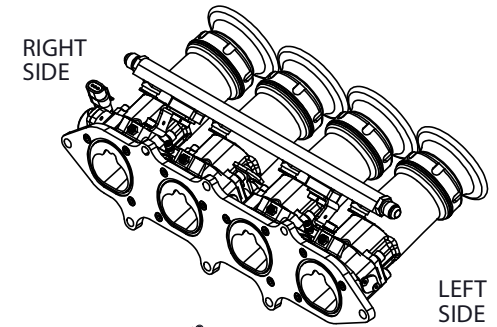


SELECT RIGHT SIDE TPS
Magneti Mareli Type Pictured

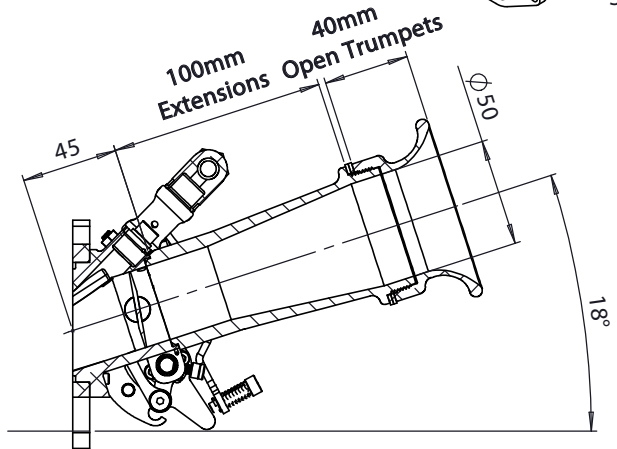
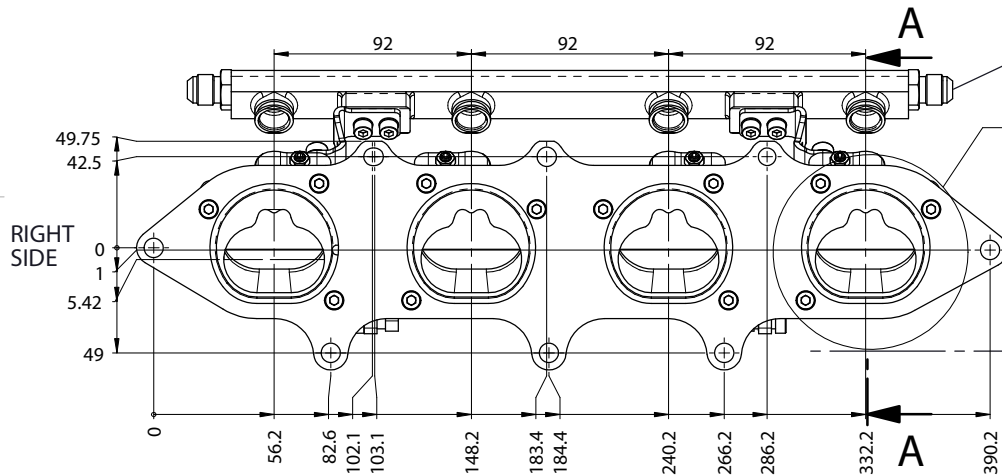


MEGAFLOW AIR FILTER SOLD SEPARATELY
JC50/S65
PART No. 102-108-00039



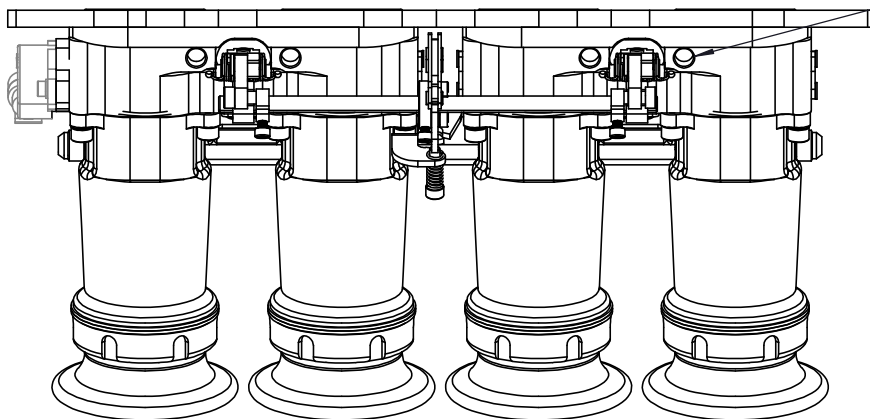
CENTRAL CABLE PULL
AND IDLE ADJUSTMENT

AN-6 MALE FITTINGS
BOTH ENDS
FUEL RAIL BRACKETS TO
SUITE PICO INJECTORS

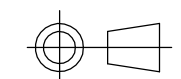


SECTION A-A

1/8" BSP VACUUM TAKE OFFS AVAILABLE
DRILL 4MM HOLE THROUGH IF REQUIRED



S-CAN 3D Ltd
Bunns Bank Ind Est
Attleborough NR17 1QD



THIRD ANGLE PROJECTION
SCALE 1:2.5 WEIGHT 2.857kg

DRAWN - S.HOW
DATE - 30/09/25
CHECKED - S.HOW
APPROVED - S.HOW

MATERIAL	SEE COMPONENT PARTS
FINISH	SEE COMPONENT PARTS
DRAWING TITLE	ASSY - FORD ZETEC SILVERTOP/BLACKTOP 45MM - PRE-CONFIGURED
DRAWING NUMBER	102-102-00618

UNLESS OTHERWISE STATED:
DIMENSIONS IN MILLIMETRES
TOLERANCES: LINEAR ±0.1 ANGULAR ±0.5°
SURFACE FINISH √ = √
DRAWING STANDARDS TO ATQS 6003
DATE FORMAT: DD/MM/YY
THIS DESIGN IS THE PROPERTY OF
S-CAN 3D LTD AND MUST NOT BE
REPRODUCED OR COMMUNICATED
WITHOUT AUTHORITY

CAD PLOT
DO NOT
SCALE