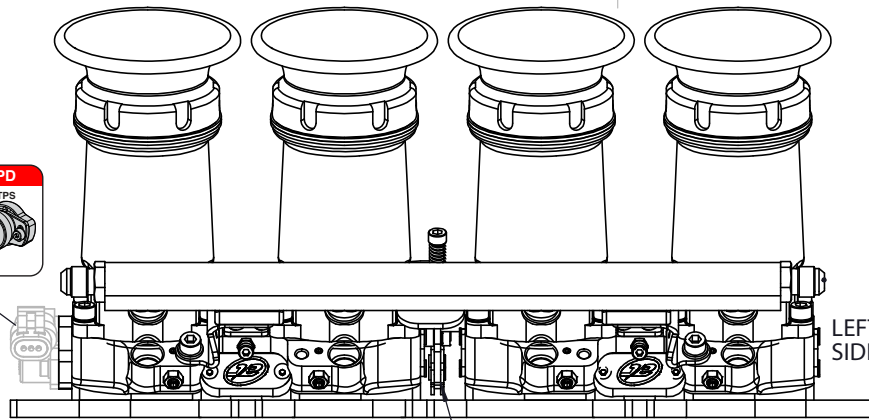
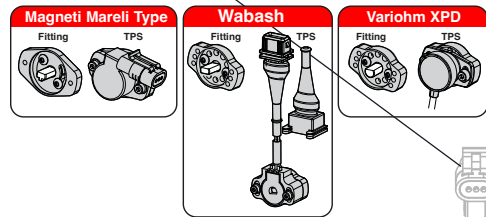
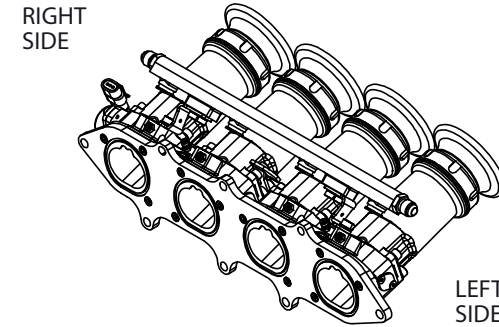


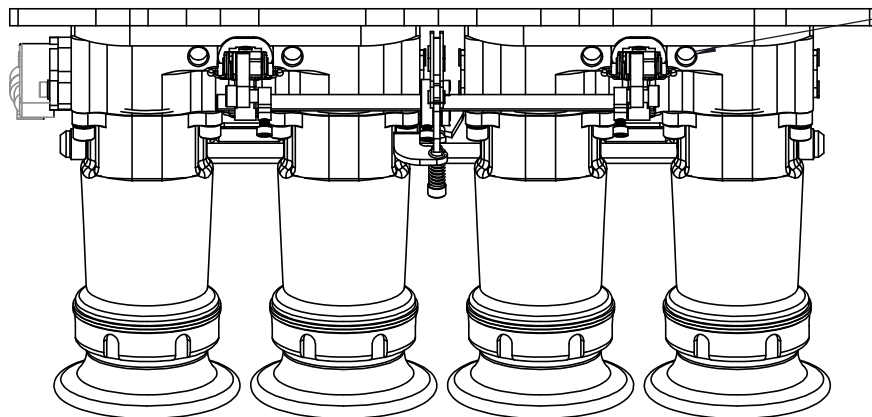
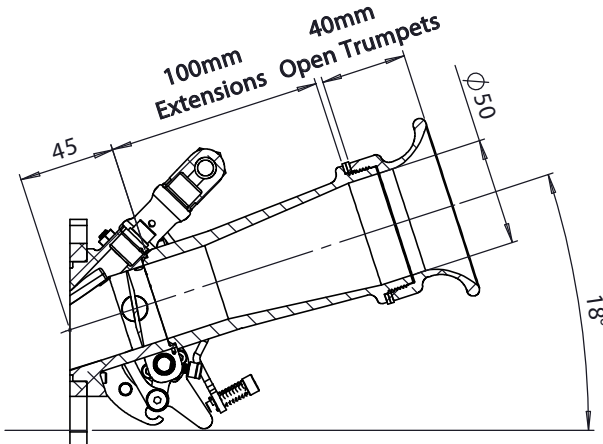
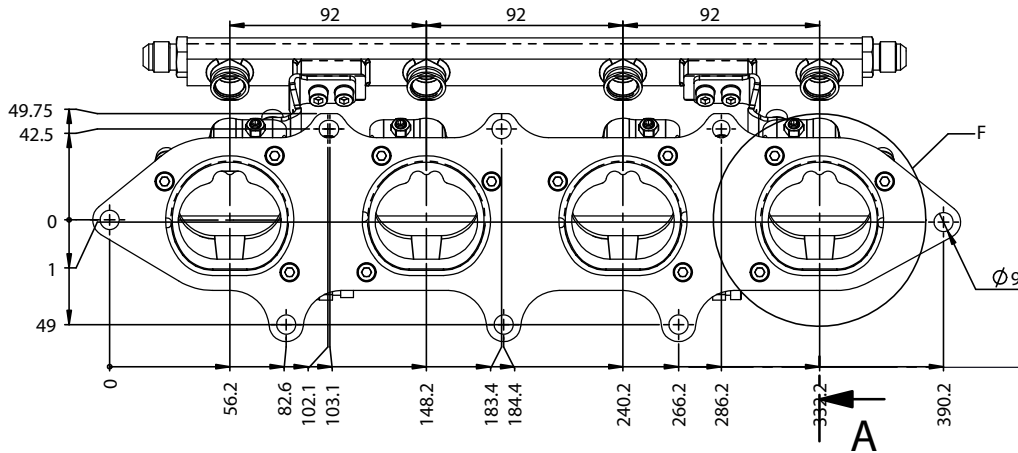
SELECT RIGHT SIDE TPS
Magneti Mareli Type Pictured



MEGAFLOW AIR FILTER SOLD SEPARATLY
JC50/S65
PART No. 102-108-00039



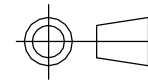
CENTRAL CABLE PULL AND IDLE ADJUSTMENT



1/8" BSP VACUUM TAKE OFFS AVAILABLE
DRILL 4MM HOLE THROUGH IF REQUIRED



S-CAN 3D Ltd
Bunns Bank Ind Est
Attleborough NR17 1QD



THIRD ANGLE PROJECTION

SCALE 1:2.5 WEIGHT 2.834 Kg

DRAWN- S.HOW

DATE- 30/09/25

CHECKED - S.HOW

APPROVED - S.HOW

UNLESS OTHERWISE STATED:
DIMENSIONS IN MILLIMETRES
TOLERANCES: LINEAR ± 0.1 ANGULAR $\pm 0.5^\circ$
SURFACE FINISH $\sqrt{\quad} = \sqrt{\quad}$
DRAWING STANDARDS TO ATQS 6003
DATE FORMAT: DD/MM/YY

THIS DESIGN IS THE PROPERTY OF S-CAN 3D LTD AND MUST NOT BE REPRODUCED OR COMMUNICATED WITHOUT AUTHORITY

CAD PLOT DO NOT SCALE

MATERIAL

SEE COMPONENT PARTS

FINISH

SEE COMPONENT PARTS

DRAWING TITLE

ASSY - FORD ST170 45MM - PRE-CONFIGURED

DRAWING NUMBER

102-102-00619