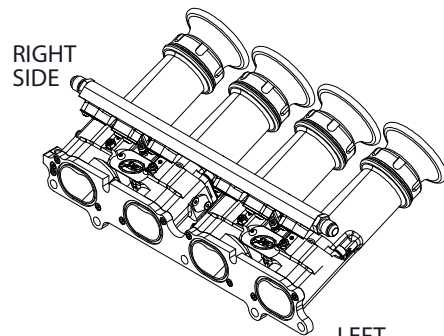


SELECT RIGHT SIDE TPS

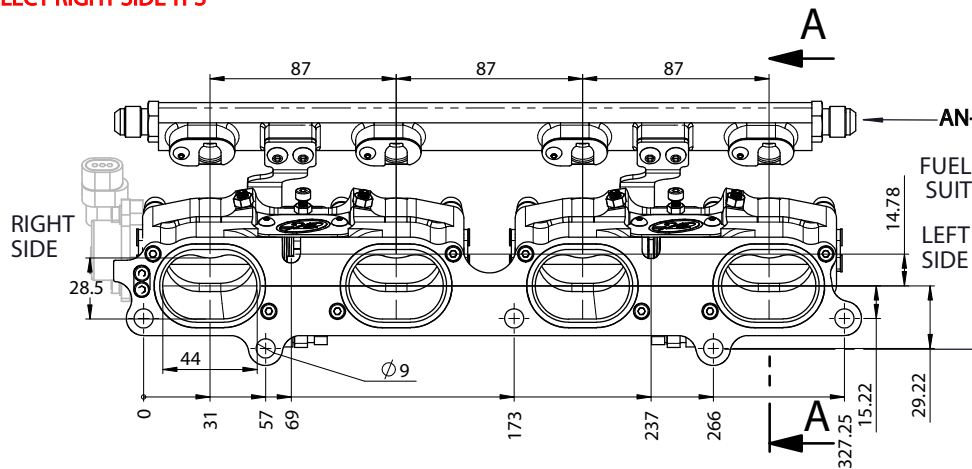
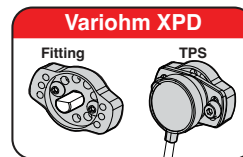
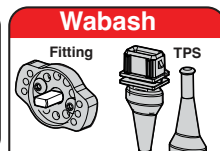
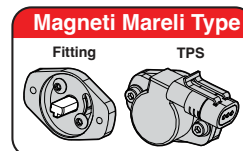
CENTRAL CABLE PULL AND IDLE ADJUSTMENT



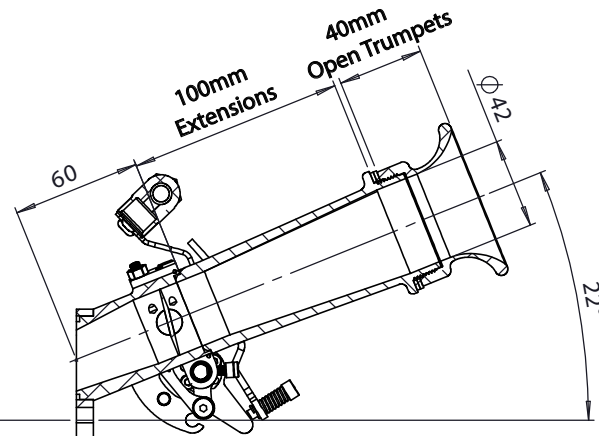
RIGHT SIDE

LEFT SIDE

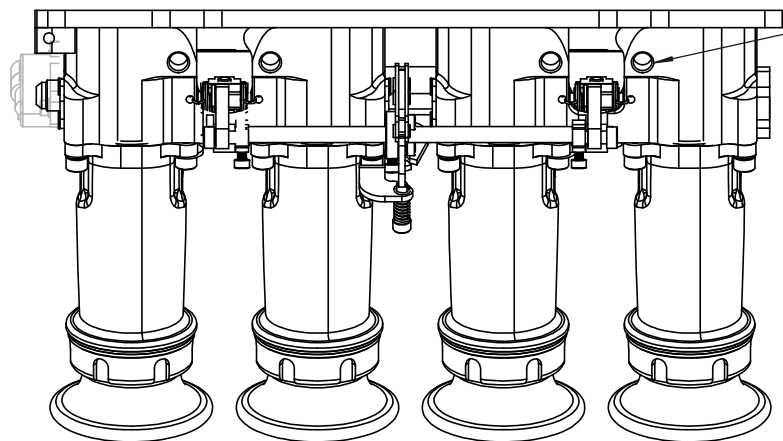
Available TPS:



AN-6 MALE FITTINGS BOTH ENDS
FUEL RAIL BRACKETS TO SUITE PICO INJECTORS



SECTION A-A

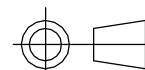


1/8" BSP VACUUM TAKE OFFS AVAILABLE
DRILL 4MM HOLE THROUGH IF REQUIRED

MEGAFLOW AIR FILTER SOLD SEPARATLY
JC50/S65
PART No. 102-108-00039



S-CAN 3D Ltd
Bunns Bank Ind Est
Attleborough NR17 1QD



THIRD ANGLE PROJECTION

SCALE 1:2.5 WEIGHT 2.288 Kg

DRAWN- S.HOW

DATE- 30/09/25

CHECKED - S.HOW

APPROVED - S.HOW

MATERIAL

SEE COMPONENT PARTS

FINISH

SEE COMPONENT PARTS

DRAWING TITLE

ASSY - FORD SIGMA/ZETEC
SE 38MM - PRE-
CONFIGURED

DRAWING NUMBER

102-102-00620

UNLESS OTHERWISE STATED:
DIMENSIONS IN MILLIMETRES
TOLERANCES: LINEAR ±0.1 ANGULAR ±0.5°
SURFACE FINISH √ = √
DRAWING STANDARDS TO ATQS 6003
DATE FORMAT: DD/MM/YY

THIS DESIGN IS THE PROPERTY OF
S-CAN 3D LTD AND MUST NOT BE
REPRODUCED OR COMMUNICATED
WITHOUT AUTHORITY

CAD PLOT
DO NOT
SCALE