

RIGHT SIDE

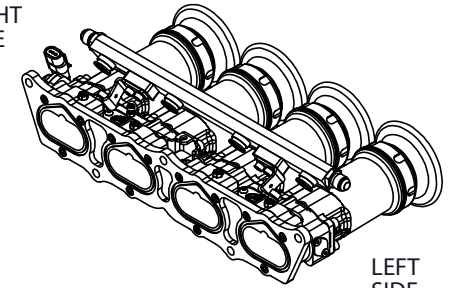
LEFT SIDE

CENTRE PULL CABLE LINKAGE

AN-6 MALE FITTINGS
BOTH ENDS
FUEL RAIL BRACKETS TO
SUITE PICO INJECTORS

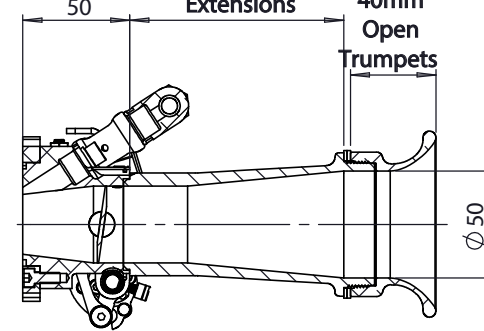
MEGAFLOW AIR FILTER SOLD SEPARATLY
JC50/S65
PART No. 102-108-00039

RIGHT SIDE

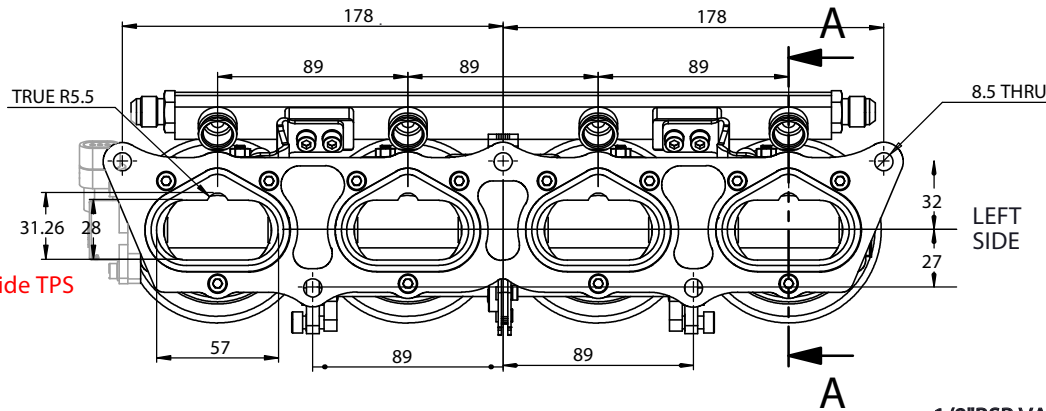


LEFT SIDE

100mm
Black Laser Sintered
Extensions
40mm
Open
Trumpets

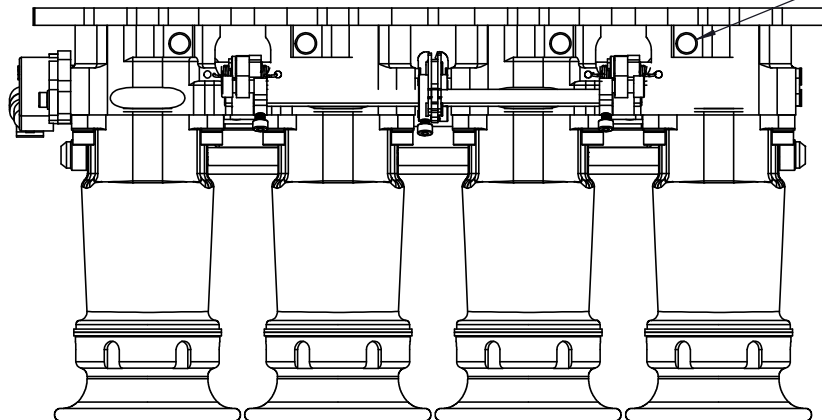


SECTION A-A

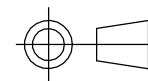


Select
Right Side TPS

1/8" BSP VACUUM TAKE OFFS AVAILABLE
DRILL 4MM HOLE THROUGH IF REQUIRED



S-CAN 3D Ltd
Bunns Bank Ind Est
Attleborough NR17 1QD



THIRD ANGLE PROJECTION

SCALE 1:2.5 WEIGHT 2.607 kg

DRAWN- S.HOW

DATE- 03/10/25

CHECKED - S.HOW

APPROVED - S.HOW

MATERIAL

SEE COMPONENT PARTS

FINISH

SEE COMPONENT PARTS

DRAWING TITLE

ASSY - RENAULT F4R 830 -
45MM - PRE-CONFIGURED

DRAWING NUMBER

102-102-00624

UNLESS OTHERWISE STATED:
DIMENSIONS IN MILLIMETRES
TOLERANCES: LINEAR ± 0.1 ANGULAR $\pm 0.5^\circ$
SURFACE FINISH $\sqrt{\text{ }} = \sqrt{\text{ }}$
DRAWING STANDARDS TO ATQS 6003
DATE FORMAT: DD/MM/YY

THIS DESIGN IS THE PROPERTY OF
S-CAN 3D LTD AND MUST NOT BE
REPRODUCED OR COMMUNICATED
WITHOUT AUTHORITY

CAD PLOT
DO NOT
SCALE