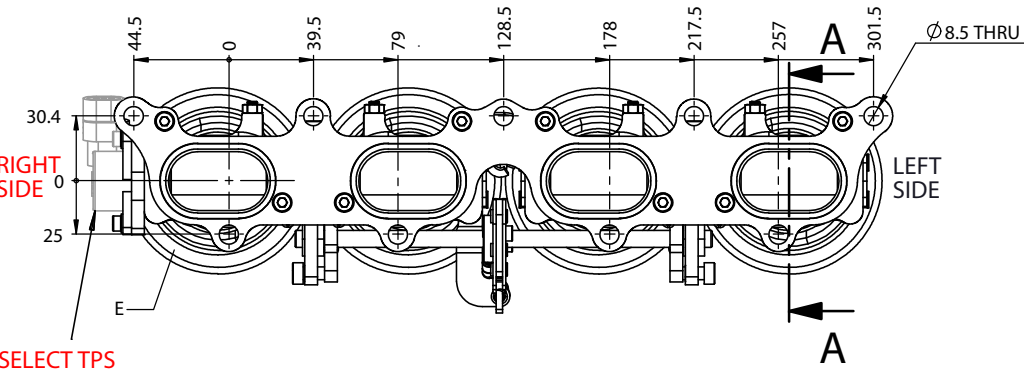
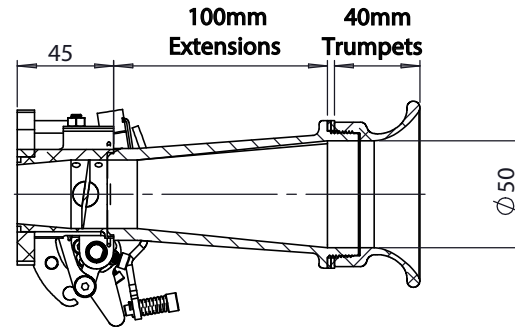


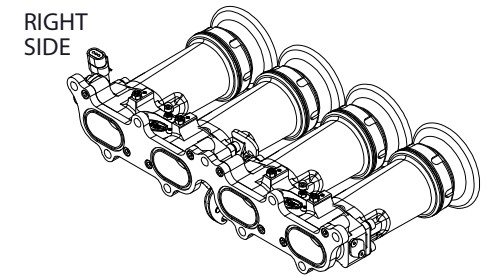
CENTRE PULL CABLE LINKAGE AND IDLE ADJUSTMENT



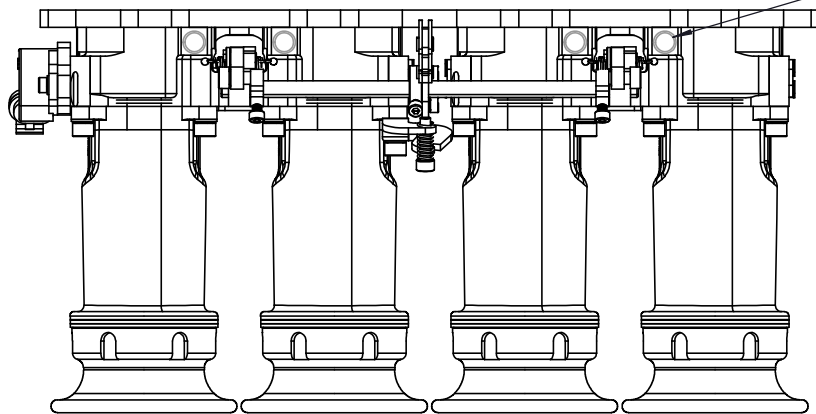
SELECT TPS (MAGNETI MARELI TYPE PICTURED)



SECTION A-A



**1/8" BSP VACUUM TAKE OFFS AVAILABLE
DRILL 4MM HOLE THROUGH IF REQUIRED**



S-CAN 3D Ltd
Bunns Bank Ind Est
Attleborough NR17 1QD

THIRD ANGLE PROJECTION

SCALE 1:2.5	WEIGHT 2.030 kg
----------------	--------------------

MATERIAL	SEE COMPONENT PARTS
FINISH	SEE COMPONENT PARTS
DRAWING TITLE	ASSY - RENAULT F7R MEGAN 42MM - PRE-CONFIGURED
DRAWING NUMBER	102-102-00625

UNLESS OTHERWISE STATED:
DIMENSIONS IN MILLIMETRES
TOLERANCES: LINEAR ±0.1 ANGULAR ±0.5°
SURFACE FINISH ✓ = ✓
DRAWING STANDARDS TO ATQS 6003
DATE FORMAT: DD/MM/YY

THIS DESIGN IS THE PROPERTY OF S-CAN 3D LTD AND MUST NOT BE REPRODUCED OR COMMUNICATED WITHOUT AUTHORITY

CAD PLOT DO NOT SCALE

DRAWN-	S.HOW
DATE-	07/10/25
CHECKED-	S.HOW
APPROVED-	S.HOW