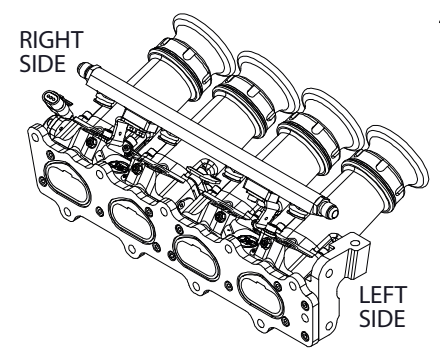
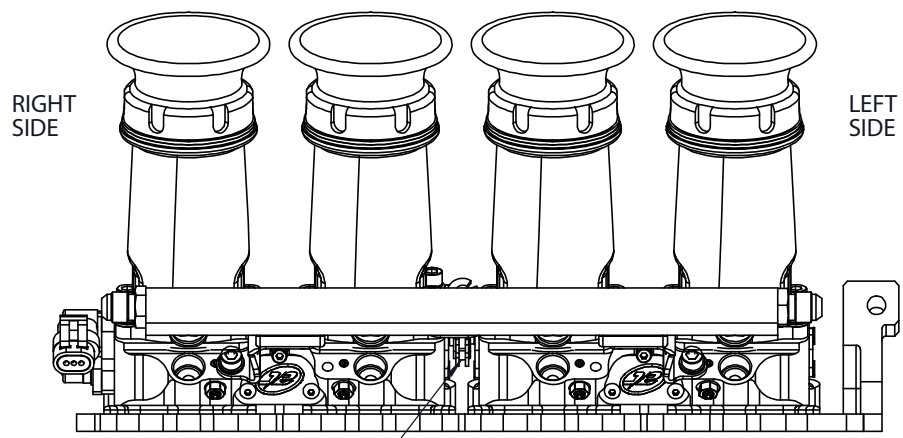
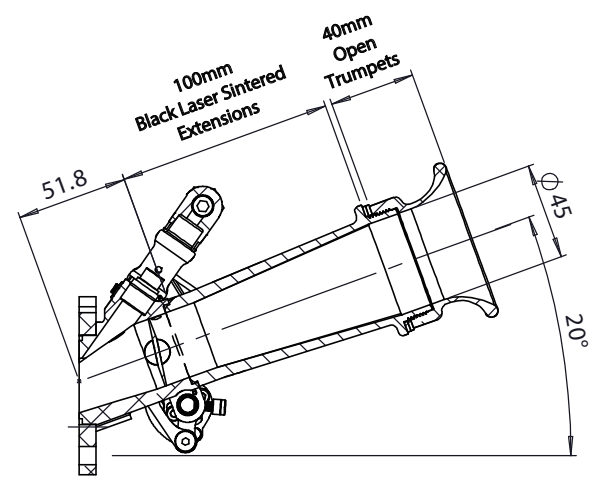
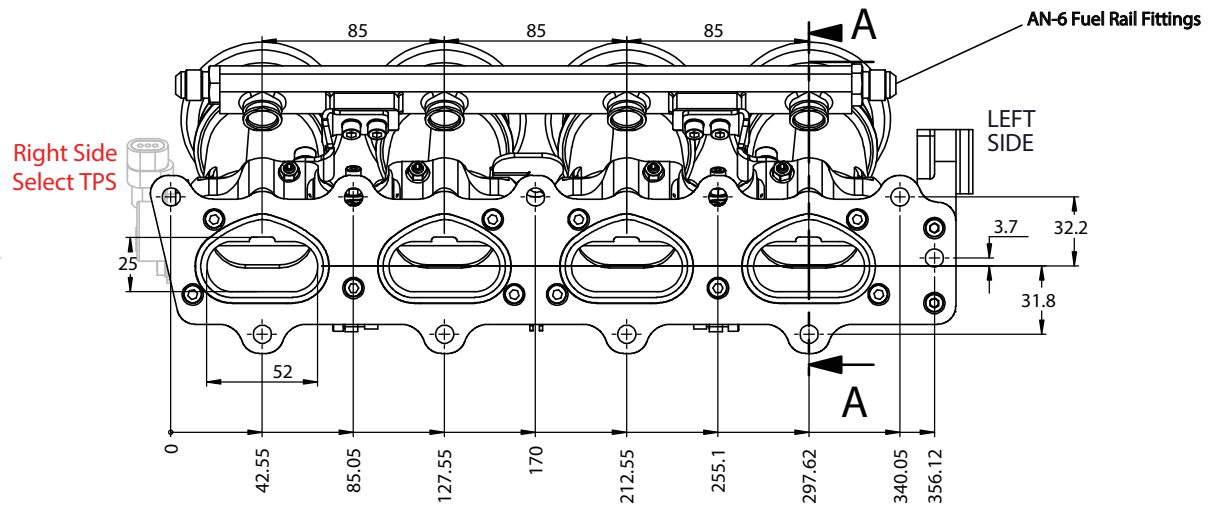


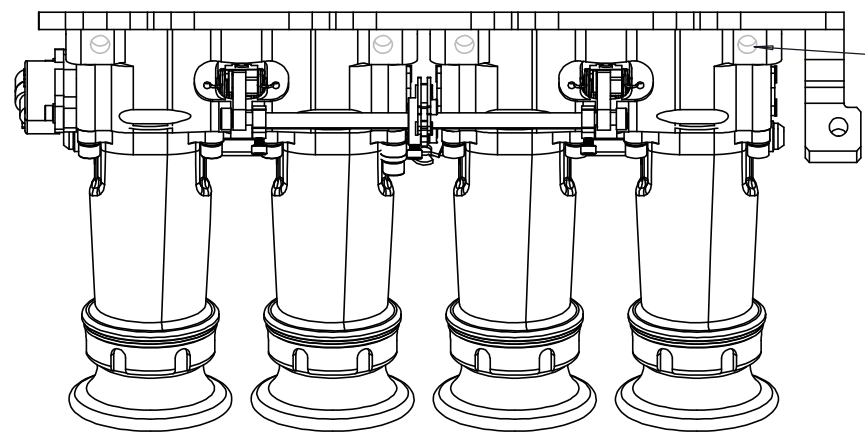
MEGAFLOW AIR FILTER SOLD SEPARATELY
JC50/S65 PART No. 102-108-00039



CENTRE PULL CABLE LINKAGE



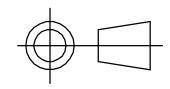
SECTION A-A



1/8" BSP VACUUM TAKE OFFS AVAILABLE
DRILL 4MM HOLE THROUGH IF REQUIRED



S-CAN 3D Ltd
Bunns Bank Ind Est
Atteborough NR17 1QD



THIRD ANGLE PROJECTION
SCALE 1:2.5 WEIGHT 2.740 kg

DRAWN- S.HOW
DATE- 07/10/25

CHECKED - S.HOW
APPROVED - S.HOW

MATERIAL	SEE COMPONENT PARTS
FINISH	SEE COMPONENT PARTS
DRAWING TITLE	ASSY - RENAULT TWINGO - 42MM - PRE-CONFIGURED
DRAWING NUMBER	102-102-00626

UNLESS OTHERWISE STATED:
DIMENSIONS IN MILLIMETRES
TOLERANCES: LINEAR ± 0.1 ANGULAR $\pm 0.5^\circ$
SURFACE FINISH $\sqrt{\text{V}}$
DRAWING STANDARDS TO ATQS 6003
DATE FORMAT: DD/MM/YY
THIS DESIGN IS THE PROPERTY OF
S-CAN 3D LTD AND MUST NOT BE
REPRODUCED OR COMMUNICATED
WITHOUT AUTHORITY

CAD PLOT
DO NOT
SCALE