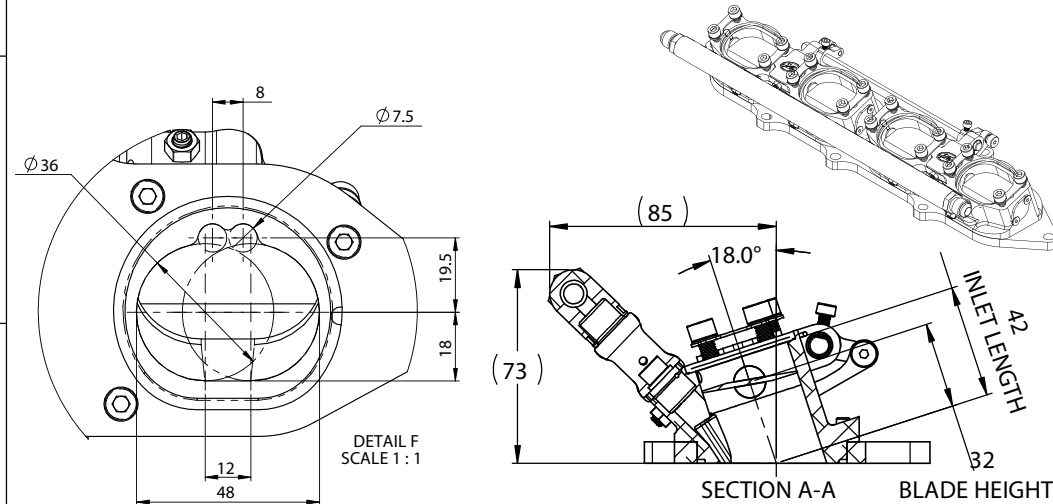
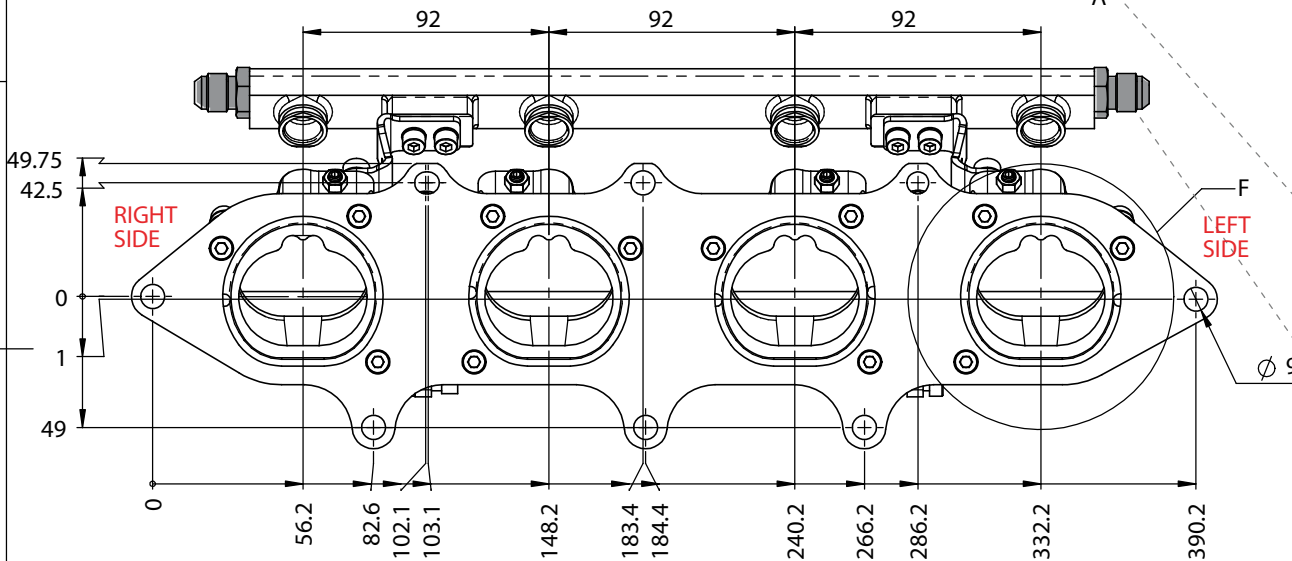
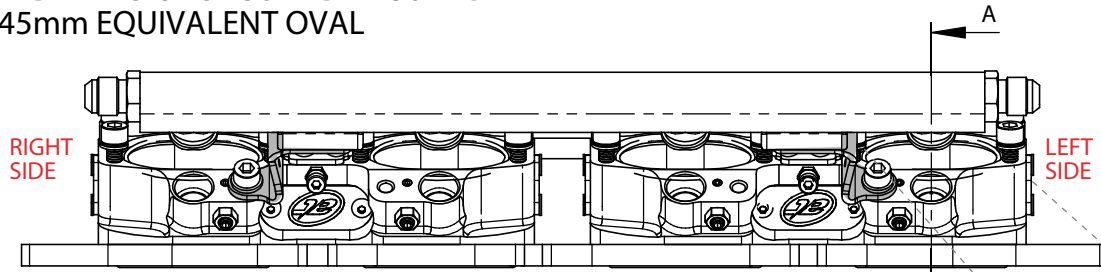
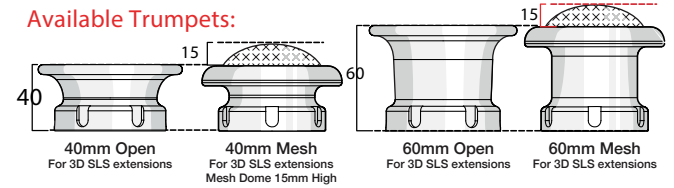


NOTE;  
BLADE DIMENSIONS - 50 WIDE x 36 HIGH  
=  $\varnothing$  45mm EQUIVALENT OVAL

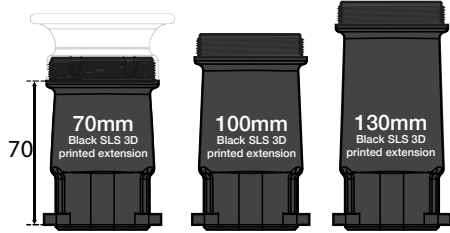


### Ensure sizes fit in engine

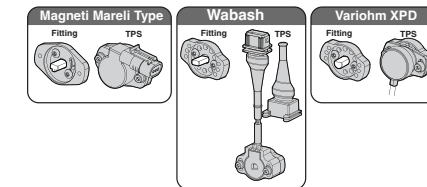
#### Available Trumpets:



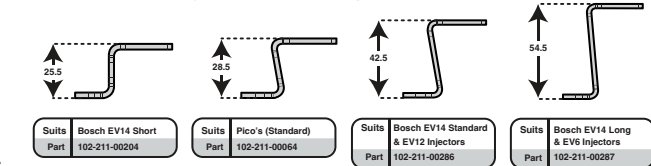
#### Available Extension Lengths: Contact us for curved



#### Available TPS Sides and TPS Options



#### Available Fuel Injector Mounting Brackets:



#### Available Fuel Rail End Fittings:

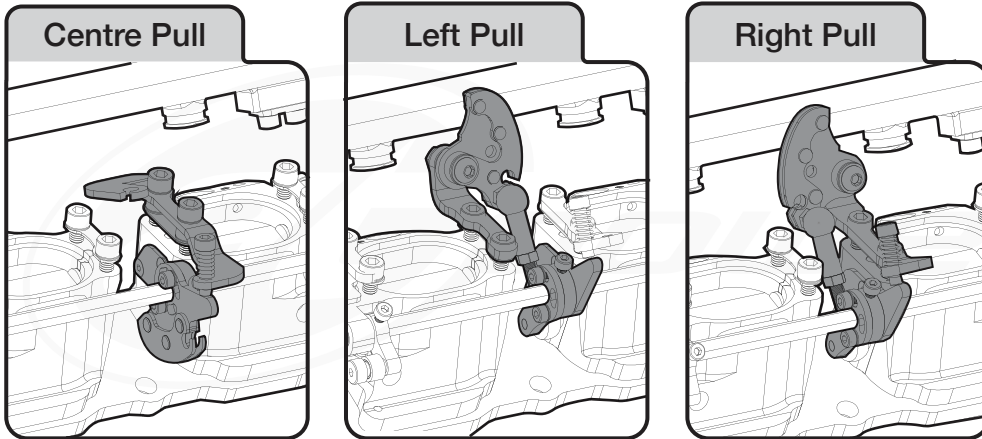


<p>S-CAN 3D Ltd Bunns Bank Ind Est Attleborough NR17 1QD</p>	<p>THIRD ANGLE PROJECTION</p>		MATERIAL	SEE COMPONENT PARTS
	SCALE 1:2	WEIGHT 1.8 kg	FINISH	SEE COMPONENT PARTS
<p>UNLESS OTHERWISE STATED: DIMENSIONS IN MILLIMETRES TOLERANCES: LINEAR <math>\pm 0.1</math> ANGULAR <math>\pm 0.5^\circ</math> SURFACE FINISH <math>\sqrt{\quad}</math> DRAWING STANDARDS TO ATQS 6003 DATE FORMAT: DD/MM/YY</p> <p>THIS DESIGN IS THE PROPERTY OF S-CAN 3D LTD AND MUST NOT BE REPRODUCED OR COMMUNICATED WITHOUT AUTHORITY</p>	DRAWN- S.HOW	DATE- 26/02/20	DRAWING TITLE	
	CHECKED - S.HOW	APPROVED - A.CLIFTON	ASSY - HOUSING - TWIN - FORD - ST170 - 45MM	
	CAD PLOT DO NOT SCALE	DRAWING NUMBER		102-104-00013
			SHEET 2 OF 2 A3	

## Select Cable Pull or Drive-By-Wire

### Cable Pull Linkage

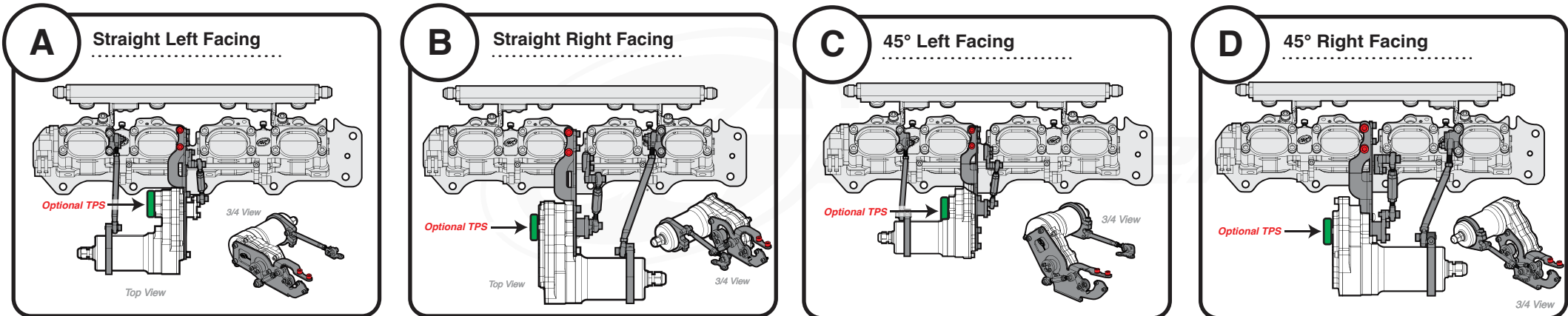
All Linkage suitable for AT Power's 3m Motorsport Throttle Nipple Cable (Sold Separately)



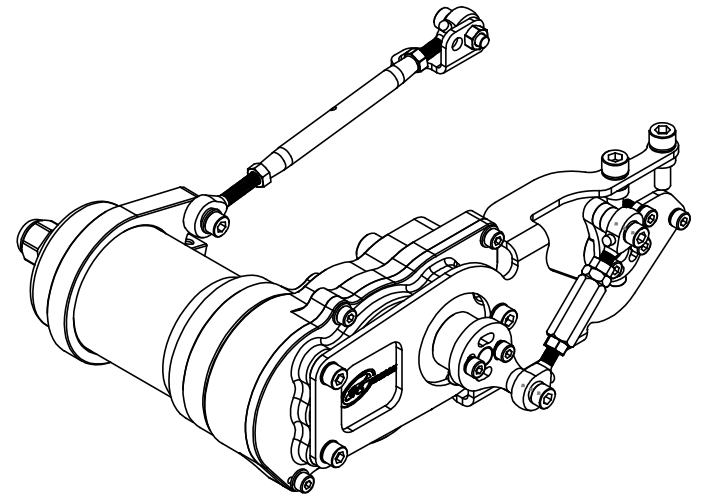
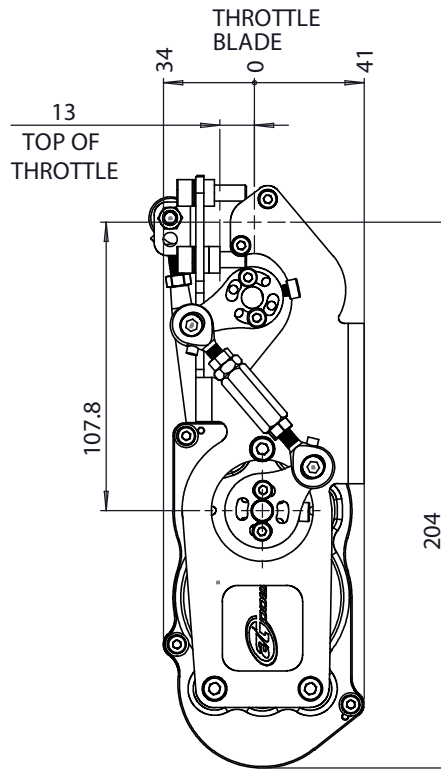
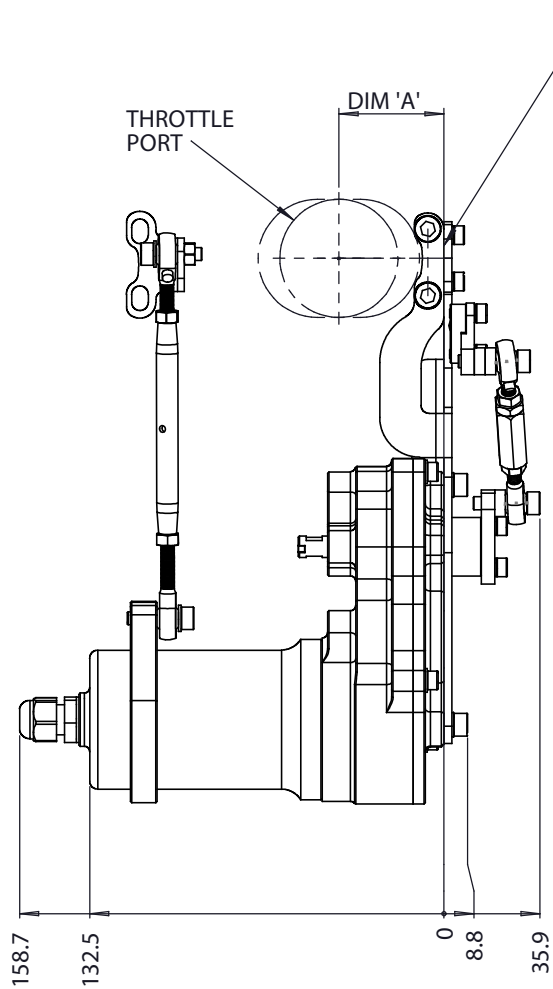
### DBW (Drive-By-Wire) Actuator Mounting

If you have selected DBW, in the drop down box please advise Mounting Bracketry type:

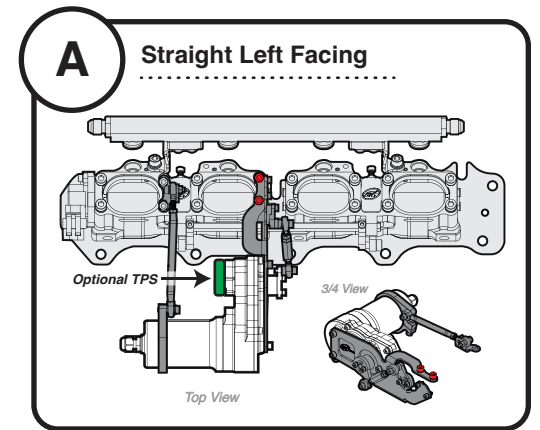
**MOUNT:**



**Ensure sizes fit in engine** DBW Actuator bracketry technical drawings on next page



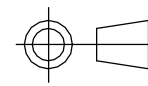
## MOUNT 'A'



DIMENSION 'A'			
THROTTLE SIZE	TWIN OVAL THROTTLES	DCOE ROUND THROTTLES	IDA ROUND THROTTLES
36	N/A	28.5	N/A
38	31.5	29.5	N/A
40	N/A	30.5	N/A
42	34.5	31.5	N/A
45	35.5	33	N/A
48	N/A	34.5	34.5
50	41.5	N/A	35.5



S-CAN 3D Ltd  
Bunns Bank Ind Est  
Attleborough NR17 1QD



THIRD ANGLE PROJECTION

SCALE 1:2 WEIGHT 1.4 kg

DRAWN- S.HOW

DATE- 22/11/24

CHECKED - S.HOW

APPROVED - S.HOW

UNLESS OTHERWISE STATED:  
DIMENSIONS IN MILLIMETRES  
TOLERANCES: LINEAR  $\pm 0.1$  ANGULAR  $\pm 0.5^\circ$   
SURFACE FINISH  $\sqrt{}$  =  $\sqrt{}$   
DRAWING STANDARDS TO ATQS 6003  
DATE FORMAT: DD/MM/YY

THIS DESIGN IS THE PROPERTY OF  
S-CAN 3D LTD AND MUST NOT BE  
REPRODUCED OR COMMUNICATED  
WITHOUT AUTHORITY

CAD PLOT  
DO NOT  
SCALE

MATERIAL

SEE COMPONENT PARTS

FINISH

SEE COMPONENT PARTS

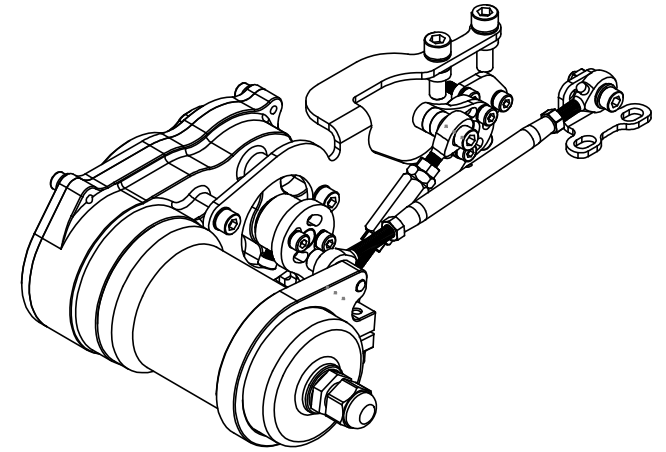
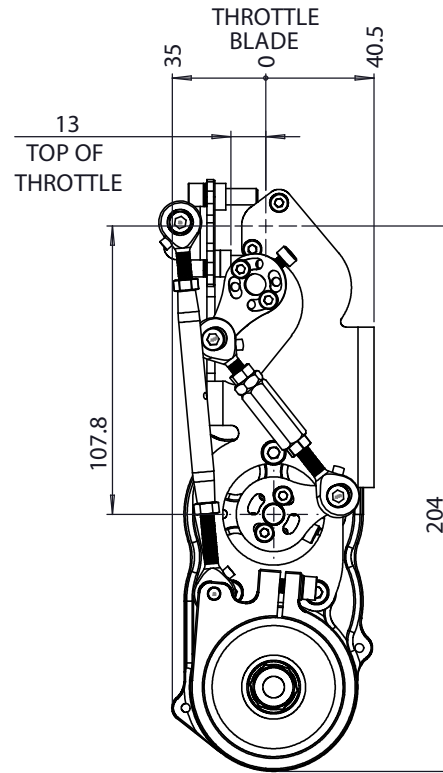
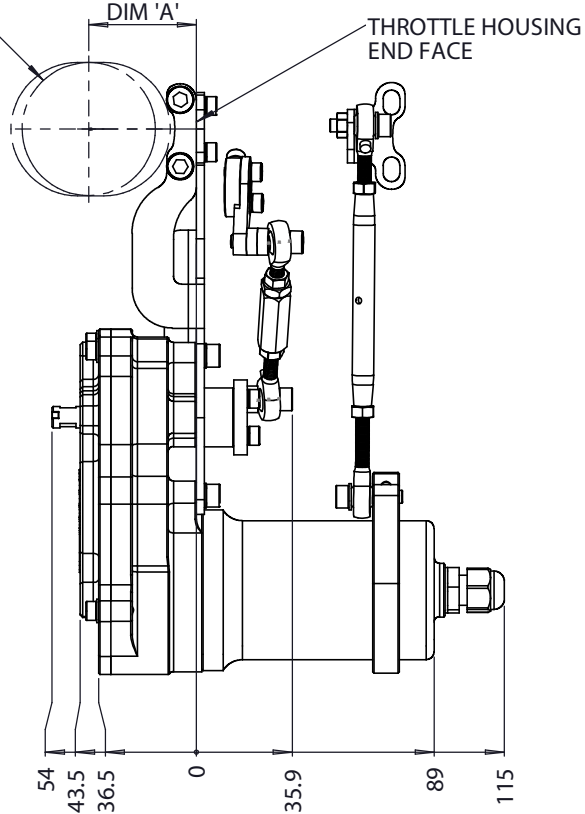
DRAWING TITLE

ASSY - DBW ACTUATOR KIT -  
CENTRAL MOUNT TWIN  
THROTTLES - LH

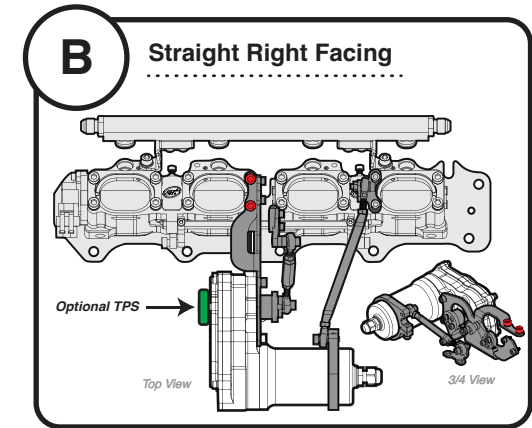
DRAWING NUMBER

102-106-00055

THROTTLE PORT



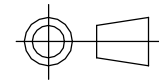
## MOUNT 'B'



DIMENSION 'A'			
THROTTLE SIZE	TWIN OVAL THROTTLES	DCOE ROUND THROTTLES	IDA ROUND THROTTLES
36	N/A	28.5	N/A
38	31.5	29.5	N/A
40	N/A	30.5	N/A
42	34.5	31.5	N/A
45	35.5	33	N/A
48	N/A	34.5	34.5
50	41.5	N/A	35.5



S-CAN 3D Ltd  
Bunns Bank Ind Est  
Attleborough NR17 1QD



THIRD ANGLE PROJECTION  
SCALE 1:2 WEIGHT 1.3 kg

DRAWN - S.HOW  
DATE - 22/11/24  
CHECKED - S.HOW  
APPROVED - S.HOW

UNLESS OTHERWISE STATED:  
DIMENSIONS IN MILLIMETRES  
TOLERANCES: LINEAR ±0.1 ANGULAR ±0.5°  
SURFACE FINISH √ = √  
DRAWING STANDARDS TO ATQS 6003  
DATE FORMAT: DD/MM/YY  
THIS DESIGN IS THE PROPERTY OF  
S-CAN 3D LTD AND MUST NOT BE  
REPRODUCED OR COMMUNICATED  
WITHOUT AUTHORITY

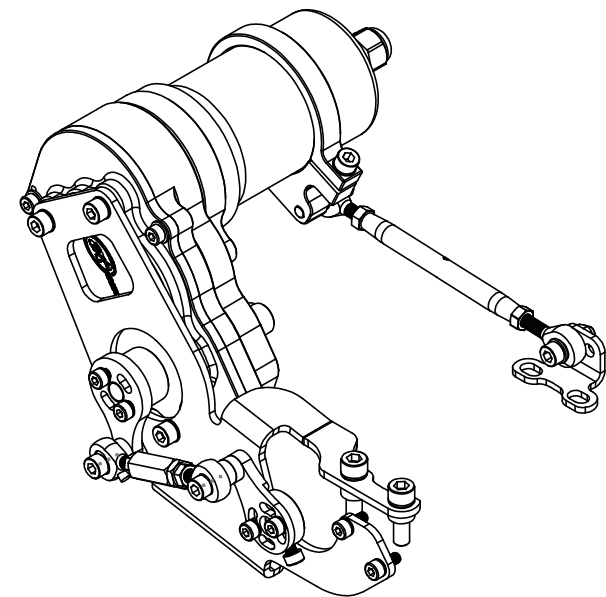
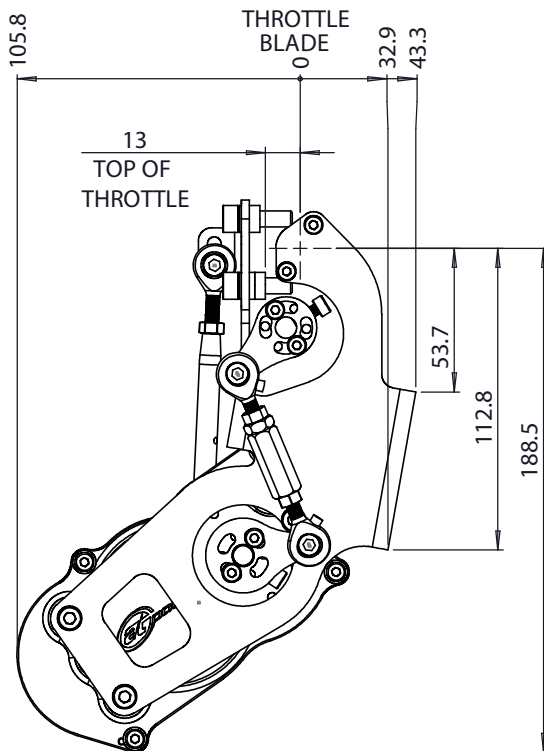
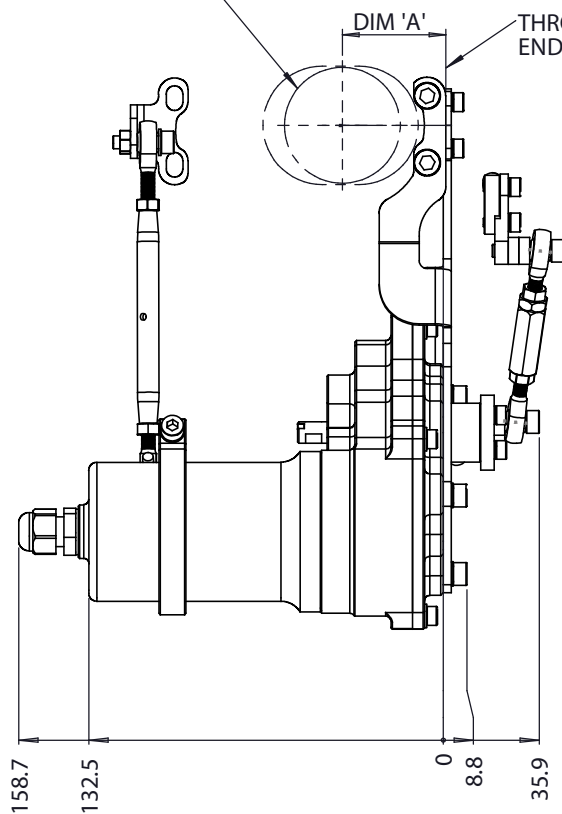
CAD PLOT  
DO NOT  
SCALE

MATERIAL	SEE COMPONENT PARTS
FINISH	SEE COMPONENT PARTS
DRAWING TITLE	ASSY - DBW ACTUATOR KIT - CENTRAL MOUNT TWIN THROTTLES - RH
DRAWING NUMBER	102-106-00056

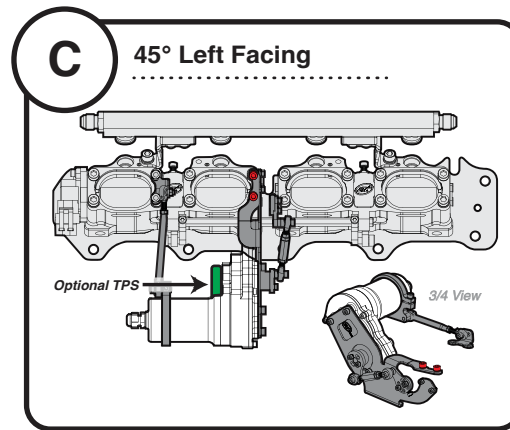
THROTTLE PORT

DIM 'A'

THROTTLE HOUSING  
END FACE



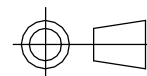
## MOUNT 'C'



DIMENSION 'A'			
THROTTLE SIZE	TWIN OVAL THROTTLES	DCOE ROUND THROTTLES	IDA ROUND THROTTLES
36	N/A	28.5	N/A
38	31.5	29.5	N/A
40	N/A	30.5	N/A
42	34.5	31.5	N/A
45	35.5	33	N/A
48	N/A	34.5	34.5
50	41.5	N/A	35.5



S-CAN 3D Ltd  
Bunns Bank Ind Est  
Attleborough NR17 1QD



THIRD ANGLE PROJECTION

SCALE 1:2 WEIGHT 1.4 kg

DRAWN - S.HOW

DATE - 22/11/24

CHECKED - S.HOW

APPROVED - S.HOW

UNLESS OTHERWISE STATED:  
DIMENSIONS IN MILLIMETRES  
TOLERANCES: LINEAR  $\pm 0.1$  ANGULAR  $\pm 0.5^\circ$   
SURFACE FINISH  $\sqrt{\text{V}}$   
DRAWING STANDARDS TO ATQS 6003  
DATE FORMAT: DD/MM/YY

THIS DESIGN IS THE PROPERTY OF  
S-CAN 3D LTD AND MUST NOT BE  
REPRODUCED OR COMMUNICATED  
WITHOUT AUTHORITY

CAD PLOT  
DO NOT  
SCALE

MATERIAL

SEE COMPONENT PARTS

FINISH

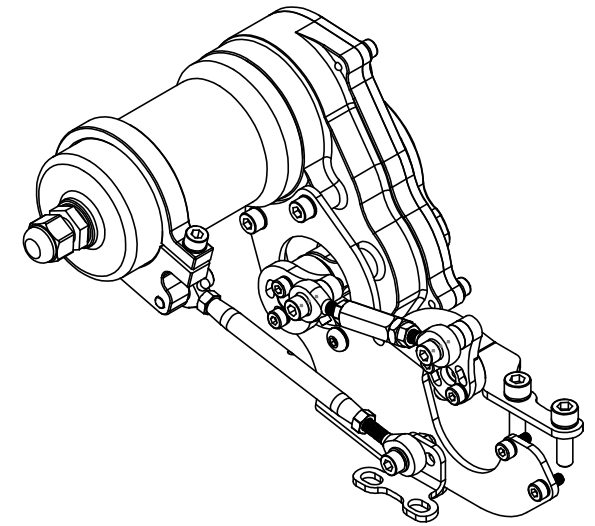
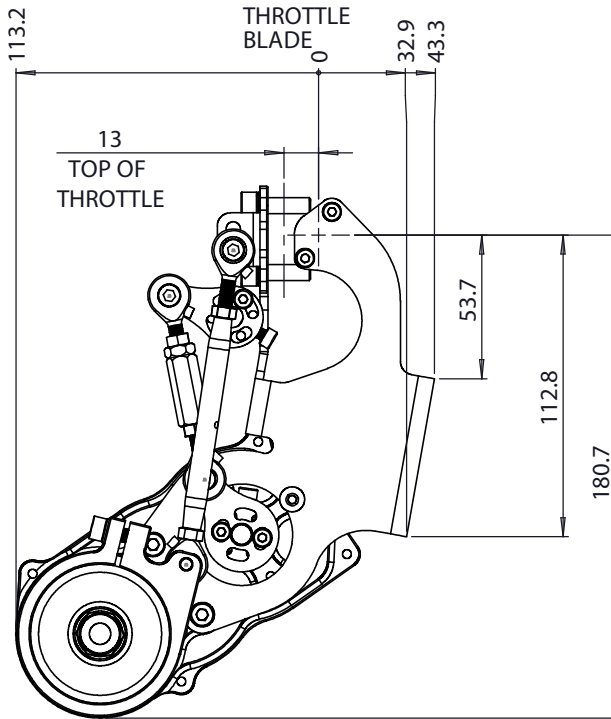
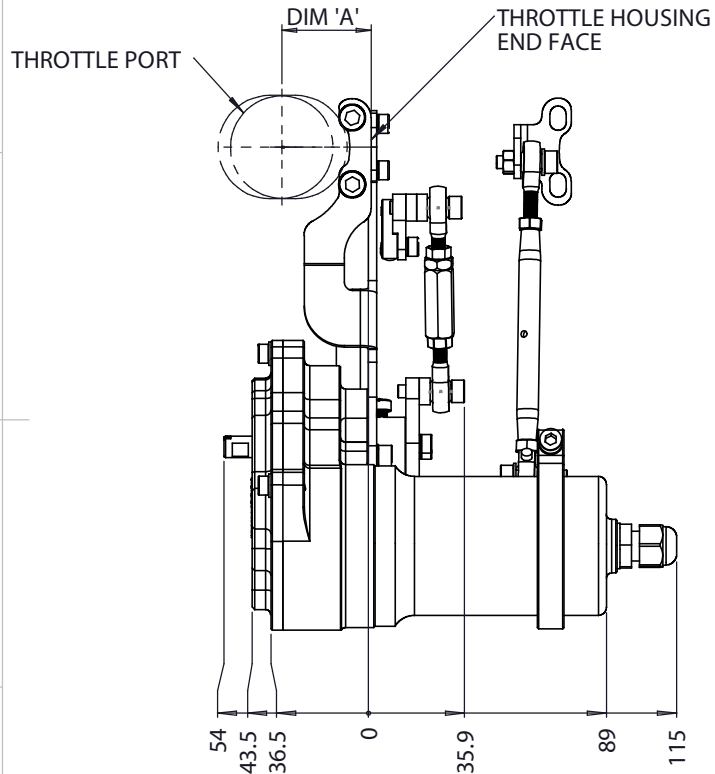
SEE COMPONENT PARTS

DRAWING TITLE

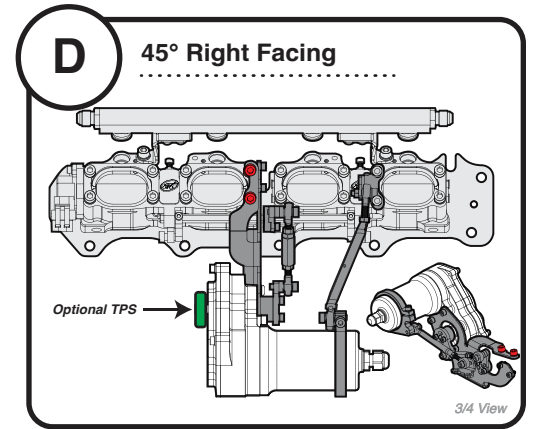
ASSY - DBW ACTUATOR KIT -  
CENTRAL MOUNT TWIN  
THROTTLES - LH - 45 DEGREES

DRAWING NUMBER

102-106-00080



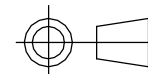
## MOUNT 'D'



DIMENSION 'A'			
THROTTLE SIZE	TWIN OVAL THROTTLES	DCOE ROUND THROTTLES	IDA ROUND THROTTLES
36	N/A	28.5	N/A
38	31.5	29.5	N/A
40	N/A	30.5	N/A
42	34.5	31.5	N/A
45	35.5	33	N/A
48	N/A	34.5	34.5
50	41.5	N/A	35.5



S-CAN 3D Ltd  
Bunns Bank Ind Est  
Attleborough NR17 1QD



THIRD ANGLE PROJECTION

SCALE 1:2 WEIGHT 1.4 kg

DRAWN- S.HOW

DATE- 22/11/24

CHECKED - S.HOW

APPROVED - S.HOW

UNLESS OTHERWISE STATED:  
DIMENSIONS IN MILLIMETRES  
TOLERANCES: LINEAR  $\pm 0.1$  ANGULAR  $\pm 0.5^\circ$   
SURFACE FINISH  $\sqrt{}$  =  $\sqrt{}$   
DRAWING STANDARDS TO ATQS 6003  
DATE FORMAT: DD/MM/YY

THIS DESIGN IS THE PROPERTY OF  
S-CAN 3D LTD AND MUST NOT BE  
REPRODUCED OR COMMUNICATED  
WITHOUT AUTHORITY

CAD PLOT  
DO NOT  
SCALE

MATERIAL

SEE COMPONENT PARTS

FINISH

SEE COMPONENT PARTS

DRAWING TITLE

ASSY - DBW ACTUATOR KIT -  
CENTRAL MOUNT -TWIN  
THROTTLES - RH- 45 DEGREE UP

DRAWING NUMBER

102-106-00066