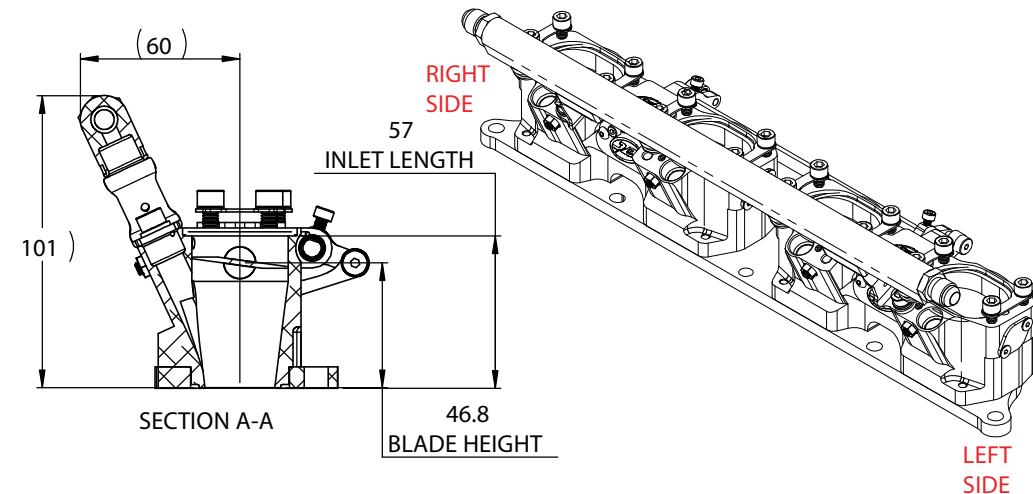
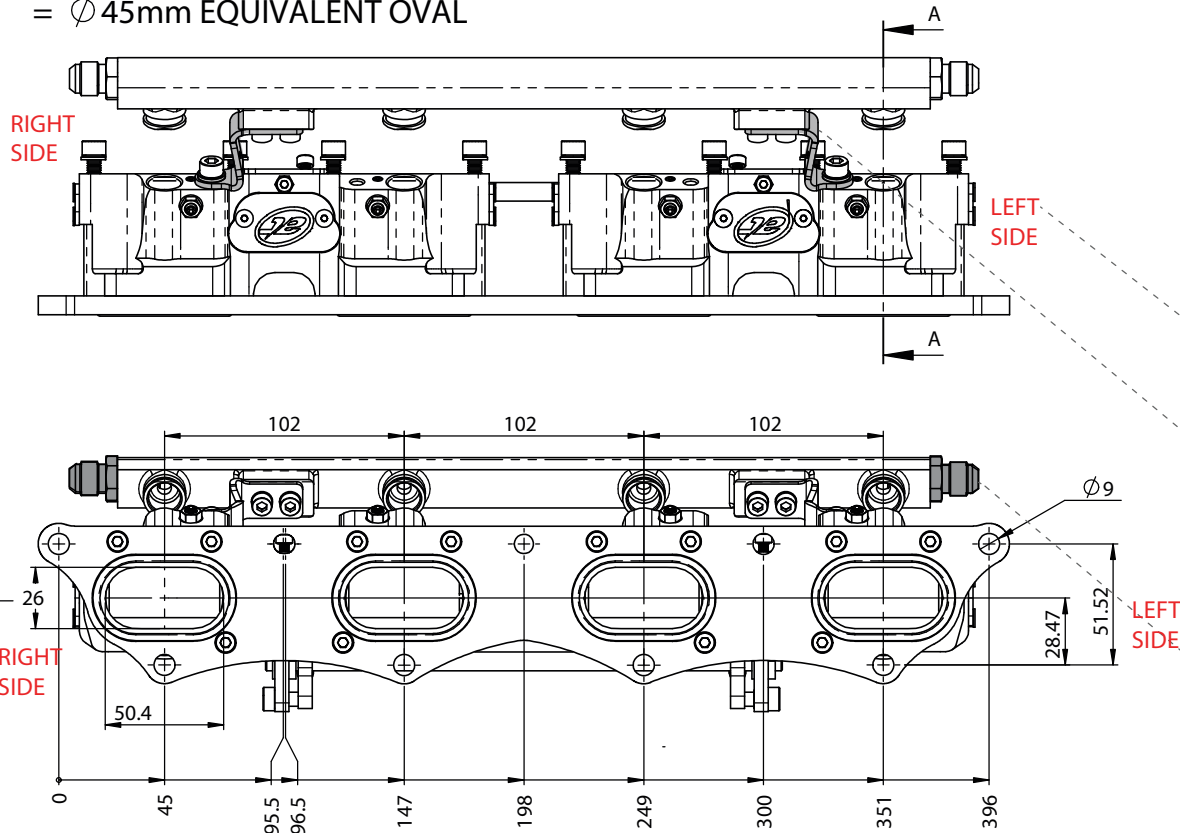


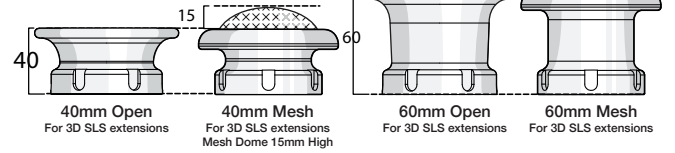
**NOTE;**

**BLADE DIMENSIONS - 50 WIDE x 36 HIGH**  
 =  $\varnothing$  45mm EQUIVALENT OVAL

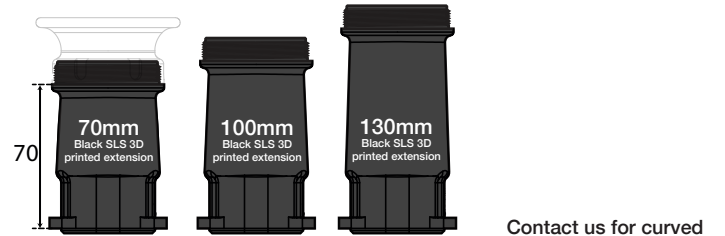


**Ensure sizes fit in engine**

**Available Trumpets:**



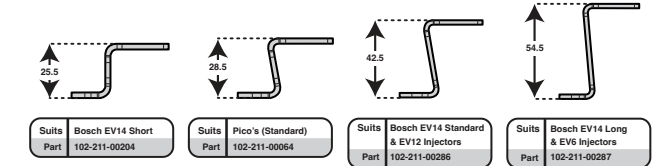
**Available Extension Lengths:**



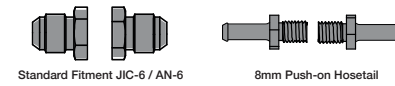
**Available TPS Sides and TPS Options**

- Magneti Marelli Type Fitting
- Magneti Marelli Type Fitting & TPS
- Wabash Fitting
- Wabash Fitting & TPS
- Variohm Hall Effect XPD Fitting
- Variohm Hall Effect XPD Fitting & TPS

**Available Fuel Injector Mounting Brackets:**



**Available Fuel Rail End Fittings:**

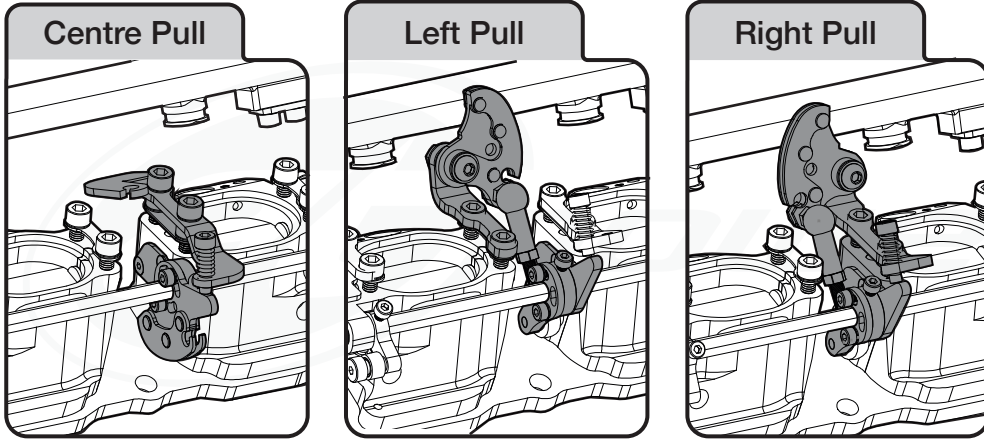


|  |                               |   |                     |
|--|-------------------------------|---|---------------------|
| <p>S-CAN 3D Ltd<br/>Bunns Bank Ind Est<br/>Attleborough NR17 1QD</p>   | <p>THIRD ANGLE PROJECTION</p> |   | MATERIAL            |
|  | SCALE<br>1:2                  | WEIGHT<br>2.1 kg  | SEE COMPONENT PARTS |
| <p>UNLESS OTHERWISE STATED:<br/>DIMENSIONS IN MILLIMETRES<br/>TOLERANCES: LINEAR <math>\pm 0.1</math> ANGULAR <math>\pm 0.5^\circ</math><br/>SURFACE FINISH <math>\sqrt{=}</math><br/>DRAWING STANDARDS TO ATQS 6003<br/>DATE FORMAT: DD/MM/YY</p> <p>THIS DESIGN IS THE PROPERTY OF<br/>S-CAN 3D LTD AND MUST NOT BE<br/>REPRODUCED OR COMMUNICATED<br/>WITHOUT AUTHORITY</p> | DRAWN-<br>S.HOW               | DATE-<br>06/03/20   | FINISH              |
|  | CHECKED-<br>S.HOW             | APPROVED-<br>A.CLIFTON  | SEE COMPONENT PARTS |
|  | DRAWING TITLE                 |   | DRAWING NUMBER      |
| <p>APPROVED - A.CLIFTON</p>  |                               | <p><b>ASSY - HOUSING - TWIN -<br/>FORD - COSWORTH - YB -<br/>45MM</b></p> <p><b>102-104-00015</b></p> |                     |
| CAD PLOT<br>DO NOT<br>SCALE  |                               | SHEET 2 OF 2 A3   |                     |

## Select Cable Pull or Drive-By-Wire

### Cable Pull Linkage

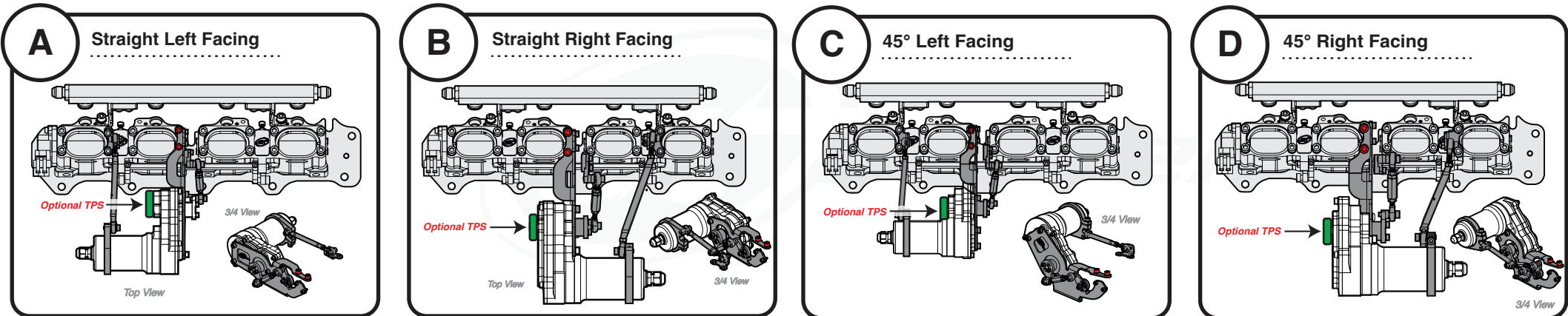
All Linkage suitable for AT Power's 3m Motorsport Throttle Nipple Cable (Sold Separately)



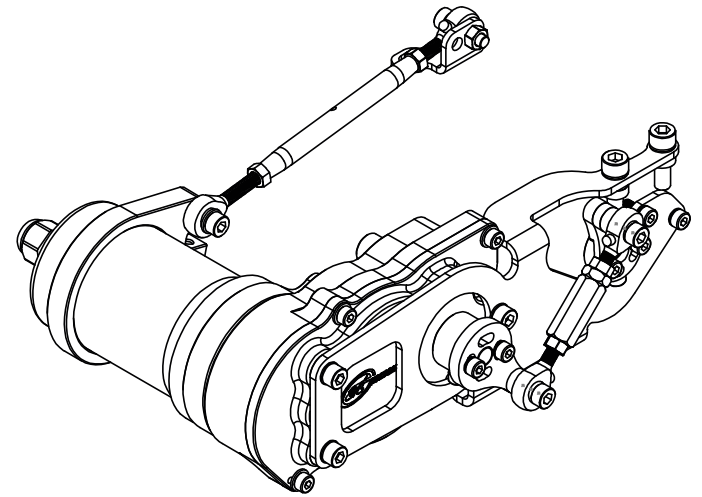
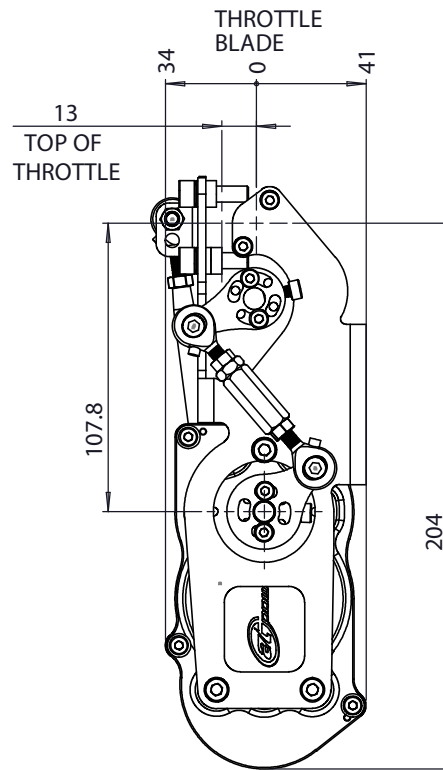
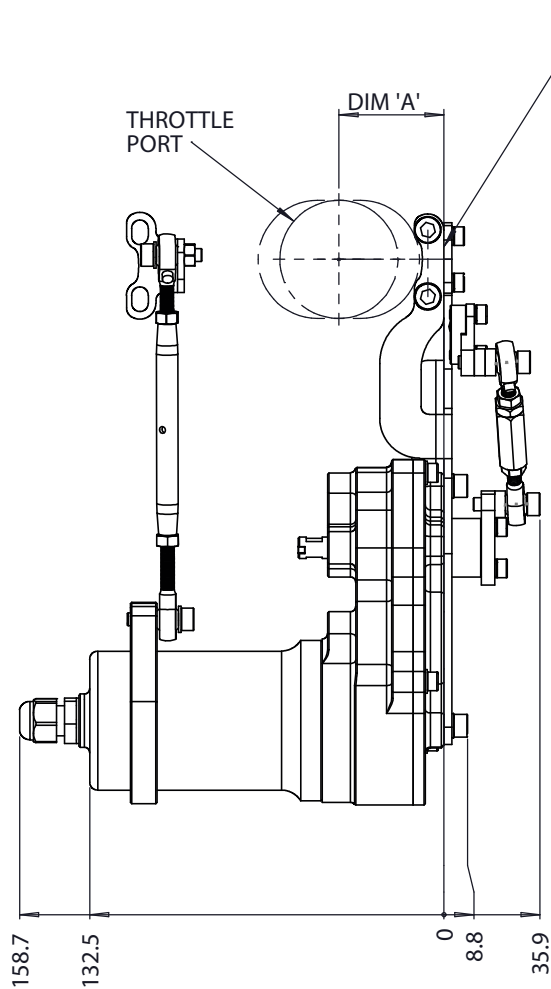
### DBW (Drive-By-Wire) Actuator Mounting

If you have selected DBW, in the drop down box please advise Mounting Bracketry type:

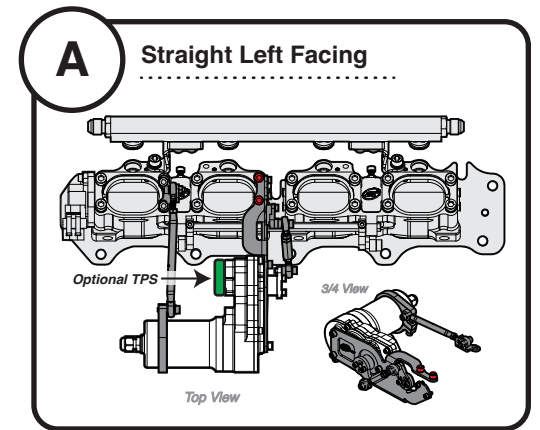
MOUNT:



Ensure sizes fit in engine DBW Actuator bracketry technical drawings on next page



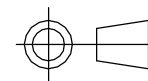
## MOUNT 'A'



| DIMENSION 'A' |                     |                      |                     |
|---------------|---------------------|----------------------|---------------------|
| THROTTLE SIZE | TWIN OVAL THROTTLES | DCOE ROUND THROTTLES | IDA ROUND THROTTLES |
| 36            | N/A                 | 28.5                 | N/A                 |
| 38            | 31.5                | 29.5                 | N/A                 |
| 40            | N/A                 | 30.5                 | N/A                 |
| 42            | 34.5                | 31.5                 | N/A                 |
| 45            | 35.5                | 33                   | N/A                 |
| 48            | N/A                 | 34.5                 | 34.5                |
| 50            | 41.5                | N/A                  | 35.5                |



S-CAN 3D Ltd  
Bunns Bank Ind Est  
Attleborough NR17 1QD



THIRD ANGLE PROJECTION

SCALE 1:2 WEIGHT 1.4 kg

DRAWN- S.HOW

DATE- 22/11/24

CHECKED - S.HOW

APPROVED - S.HOW

UNLESS OTHERWISE STATED:  
DIMENSIONS IN MILLIMETRES  
TOLERANCES: LINEAR  $\pm 0.1$  ANGULAR  $\pm 0.5^\circ$   
SURFACE FINISH  $\sqrt{\text{V}}$   
DRAWING STANDARDS TO ATQS 6003  
DATE FORMAT: DD/MM/YY

THIS DESIGN IS THE PROPERTY OF  
S-CAN 3D LTD AND MUST NOT BE  
REPRODUCED OR COMMUNICATED  
WITHOUT AUTHORITY

CAD PLOT  
DO NOT  
SCALE

MATERIAL

SEE COMPONENT PARTS

FINISH

SEE COMPONENT PARTS

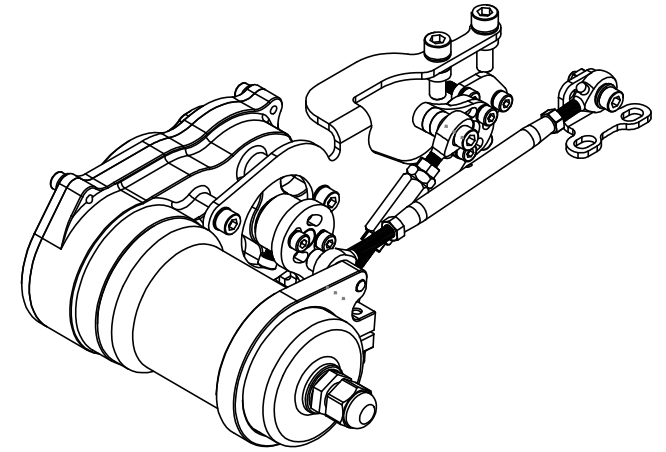
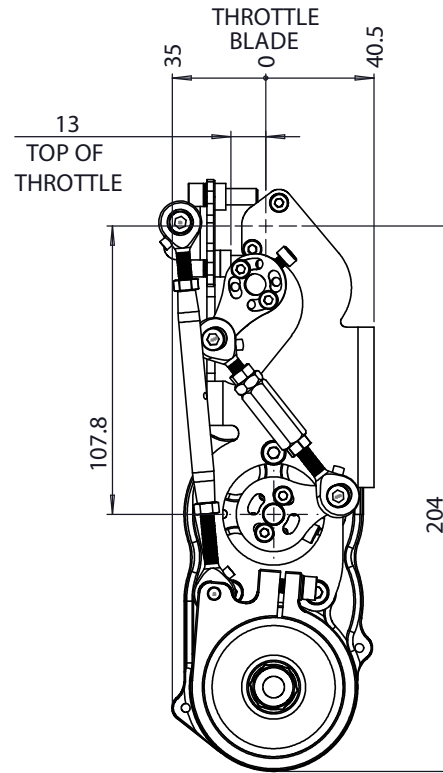
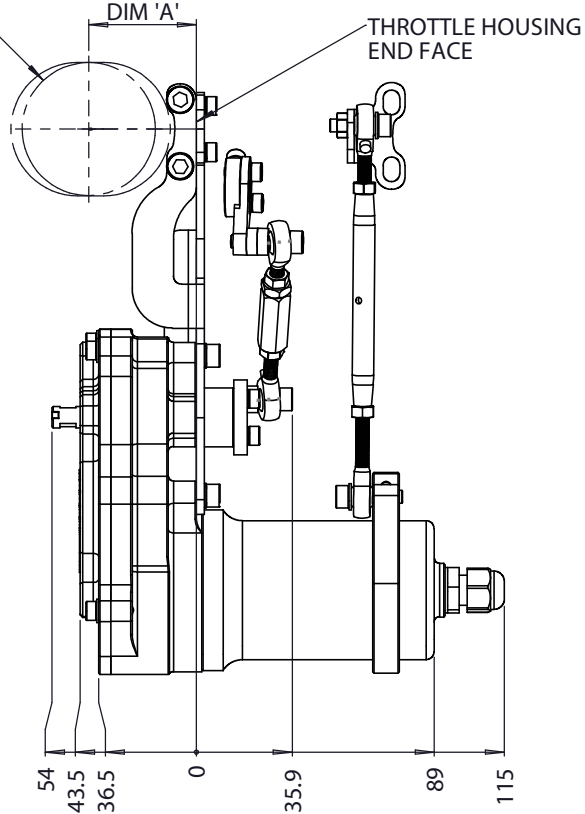
DRAWING TITLE

ASSY - DBW ACTUATOR KIT -  
CENTRAL MOUNT TWIN  
THROTTLES - LH

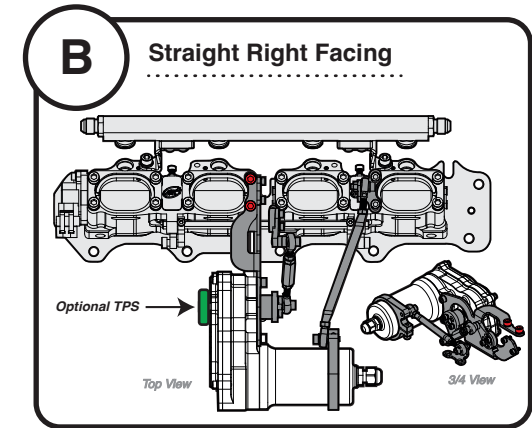
DRAWING NUMBER

102-106-00055

THROTTLE PORT



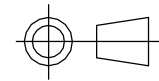
## MOUNT 'B'



| DIMENSION 'A' |                     |                      |                     |
|---------------|---------------------|----------------------|---------------------|
| THROTTLE SIZE | TWIN OVAL THROTTLES | DCOE ROUND THROTTLES | IDA ROUND THROTTLES |
| 36            | N/A                 | 28.5                 | N/A                 |
| 38            | 31.5                | 29.5                 | N/A                 |
| 40            | N/A                 | 30.5                 | N/A                 |
| 42            | 34.5                | 31.5                 | N/A                 |
| 45            | 35.5                | 33                   | N/A                 |
| 48            | N/A                 | 34.5                 | 34.5                |
| 50            | 41.5                | N/A                  | 35.5                |



S-CAN 3D Ltd  
Bunns Bank Ind Est  
Attleborough NR17 1QD



THIRD ANGLE PROJECTION  
SCALE 1:2 WEIGHT 1.3 kg

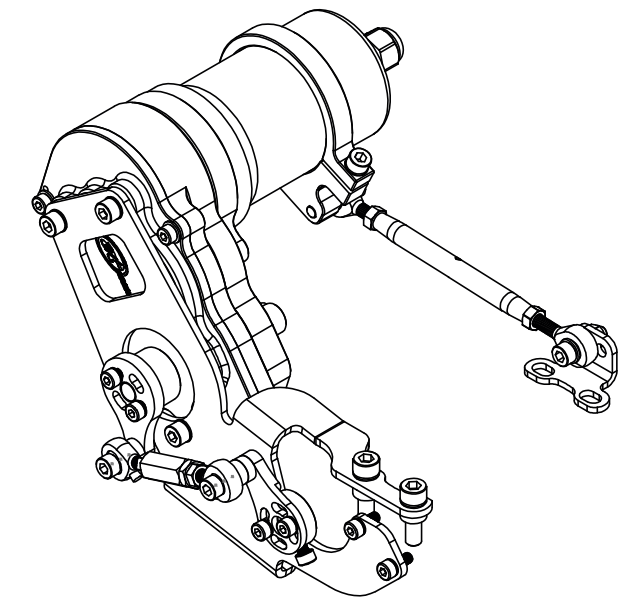
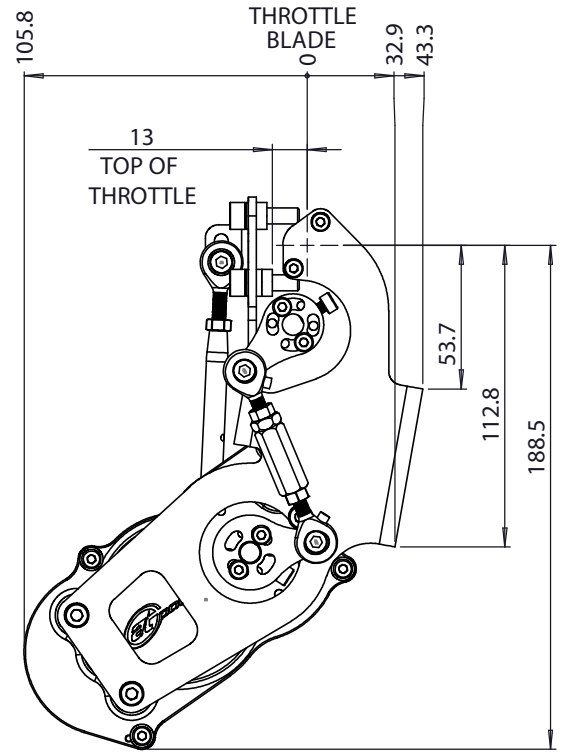
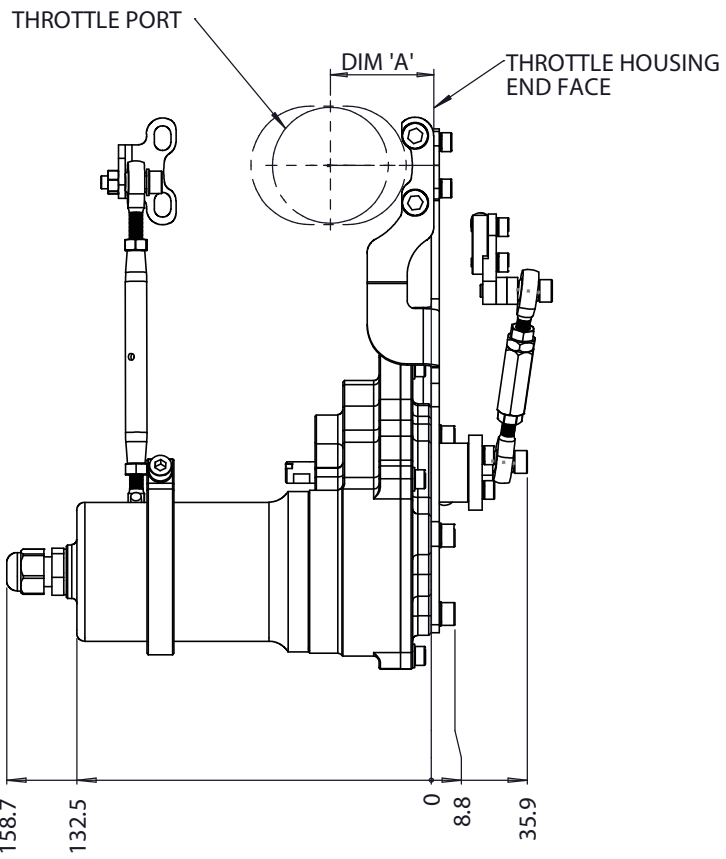
DRAWN - S.HOW  
DATE - 22/11/24  
CHECKED - S.HOW  
APPROVED - S.HOW

UNLESS OTHERWISE STATED:  
DIMENSIONS IN MILLIMETRES  
TOLERANCES: LINEAR ±0.1 ANGULAR ±0.5°  
SURFACE FINISH √ = √  
DRAWING STANDARDS TO ATQS 6003  
DATE FORMAT: DD/MM/YY  
THIS DESIGN IS THE PROPERTY OF  
S-CAN 3D LTD AND MUST NOT BE  
REPRODUCED OR COMMUNICATED  
WITHOUT AUTHORITY

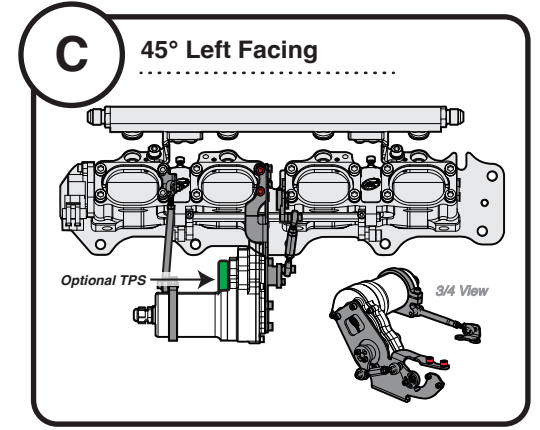
CAD PLOT  
DO NOT  
SCALE

|                |   |
|----------------|---|
| MATERIAL       | SEE COMPONENT PARTS   |
| FINISH         | SEE COMPONENT PARTS   |
| DRAWING TITLE  | ASSY - DBW ACTUATOR KIT -<br>CENTRAL MOUNT TWIN<br>THROTTLES - RH |
| DRAWING NUMBER | 102-106-00056   |

8 7 6 5 4 3 2 1



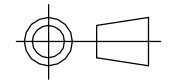
# MOUNT 'C'



| DIMENSION 'A' |                     |                      |                     |
|---------------|---------------------|----------------------|---------------------|
| THROTTLE SIZE | TWIN OVAL THROTTLES | DCOE ROUND THROTTLES | IDA ROUND THROTTLES |
| 36            | N/A                 | 28.5                 | N/A                 |
| 38            | 31.5                | 29.5                 | N/A                 |
| 40            | N/A                 | 30.5                 | N/A                 |
| 42            | 34.5                | 31.5                 | N/A                 |
| 45            | 35.5                | 33                   | N/A                 |
| 48            | N/A                 | 34.5                 | 34.5                |
| 50            | 41.5                | N/A                  | 35.5                |



S-CAN 3D Ltd  
Bunns Bank Ind Est  
Attleborough NR17 1QD



THIRD ANGLE PROJECTION  
SCALE 1:2 WEIGHT 1.4 kg

UNLESS OTHERWISE STATED:  
DIMENSIONS IN MILLIMETRES  
TOLERANCES: LINEAR ±0.1 ANGULAR ±0.5°  
SURFACE FINISH √ = √  
DRAWING STANDARDS TO ATQS 6003  
DATE FORMAT: DD/MM/YY

THIS DESIGN IS THE PROPERTY OF S-CAN 3D LTD AND MUST NOT BE REPRODUCED OR COMMUNICATED WITHOUT AUTHORITY

CAD PLOT DO NOT SCALE

DRAWN- S.HOW  
DATE- 22/11/24  
CHECKED- S.HOW  
APPROVED- S.HOW

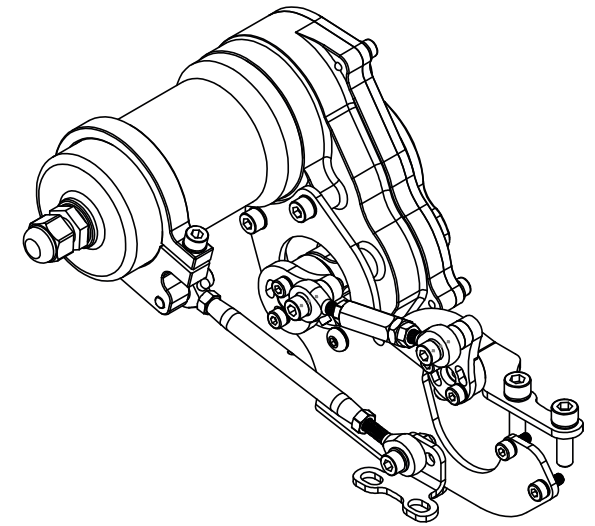
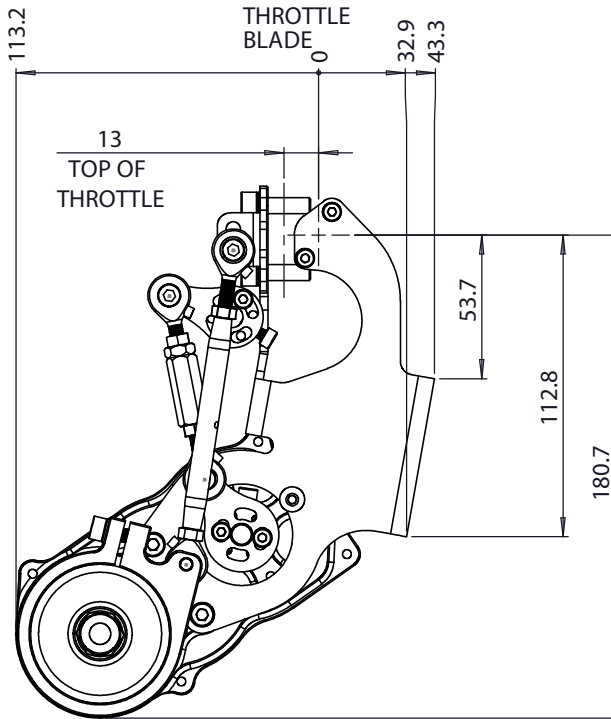
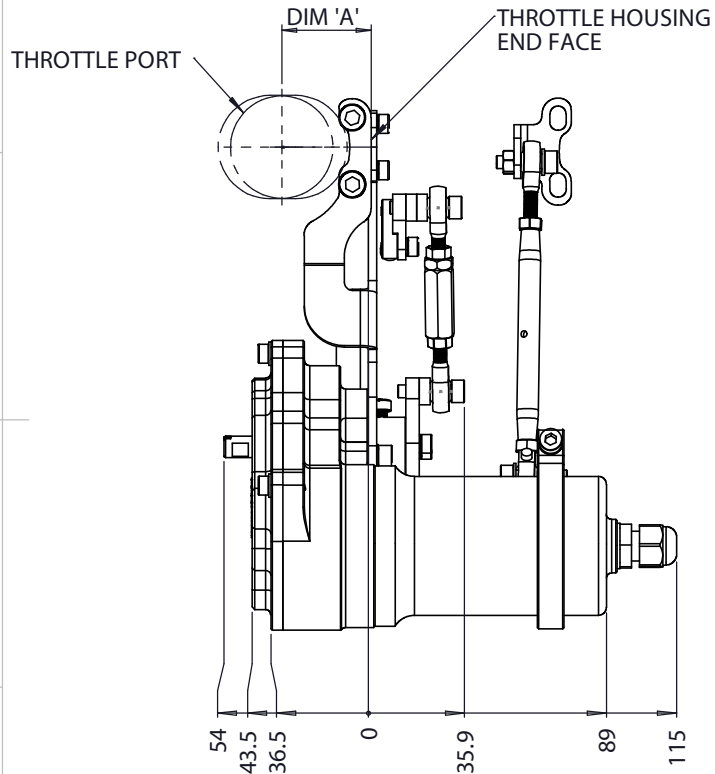
MATERIAL  
SEE COMPONENT PARTS

FINISH  
SEE COMPONENT PARTS

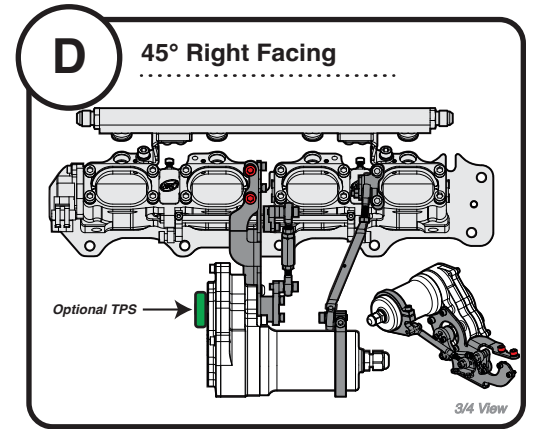
DRAWING TITLE  
**ASSY - DBW ACTUATOR KIT - CENTRAL MOUNT TWIN THROTTLES - LH - 45 DEGREES**

DRAWING NUMBER  
**102-106-00080**

SHEET 2 OF 2 A3



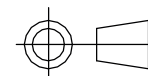
## MOUNT 'D'



| DIMENSION 'A' |                     |                      |                     |
|---------------|---------------------|----------------------|---------------------|
| THROTTLE SIZE | TWIN OVAL THROTTLES | DCOE ROUND THROTTLES | IDA ROUND THROTTLES |
| 36            | N/A                 | 28.5                 | N/A                 |
| 38            | 31.5                | 29.5                 | N/A                 |
| 40            | N/A                 | 30.5                 | N/A                 |
| 42            | 34.5                | 31.5                 | N/A                 |
| 45            | 35.5                | 33                   | N/A                 |
| 48            | N/A                 | 34.5                 | 34.5                |
| 50            | 41.5                | N/A                  | 35.5                |



S-CAN 3D Ltd  
Bunns Bank Ind Est  
Attleborough NR17 1QD



THIRD ANGLE PROJECTION

SCALE 1:2 WEIGHT 1.4 kg

DRAWN- S.HOW

DATE- 22/11/24

CHECKED - S.HOW

APPROVED - S.HOW

UNLESS OTHERWISE STATED:  
DIMENSIONS IN MILLIMETRES  
TOLERANCES: LINEAR  $\pm 0.1$  ANGULAR  $\pm 0.5^\circ$   
SURFACE FINISH  $\sqrt{\text{V}}$   
DRAWING STANDARDS TO ATQS 6003  
DATE FORMAT: DD/MM/YY

THIS DESIGN IS THE PROPERTY OF  
S-CAN 3D LTD AND MUST NOT BE  
REPRODUCED OR COMMUNICATED  
WITHOUT AUTHORITY

CAD PLOT  
DO NOT  
SCALE

MATERIAL

SEE COMPONENT PARTS

FINISH

SEE COMPONENT PARTS

DRAWING TITLE

ASSY - DBW ACTUATOR KIT -  
CENTRAL MOUNT -TWIN  
THROTTLES - RH- 45 DEGREE UP

DRAWING NUMBER

102-106-00066

SHEET 2 OF 2 A3