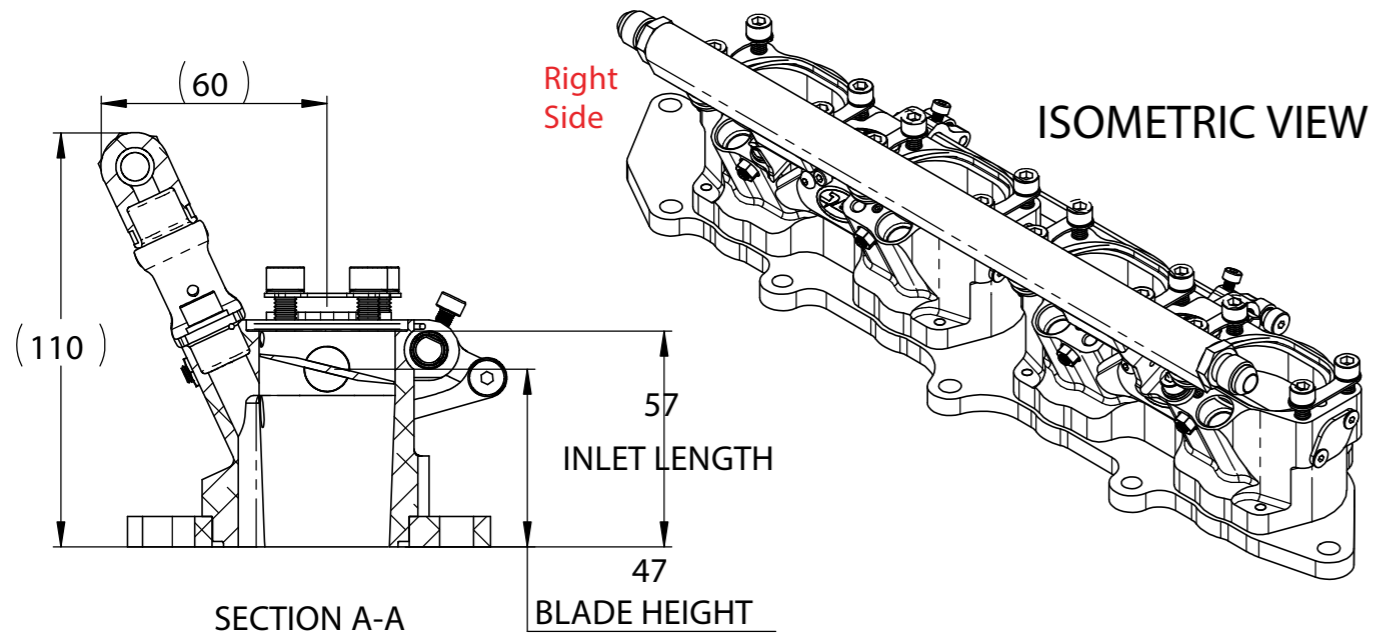
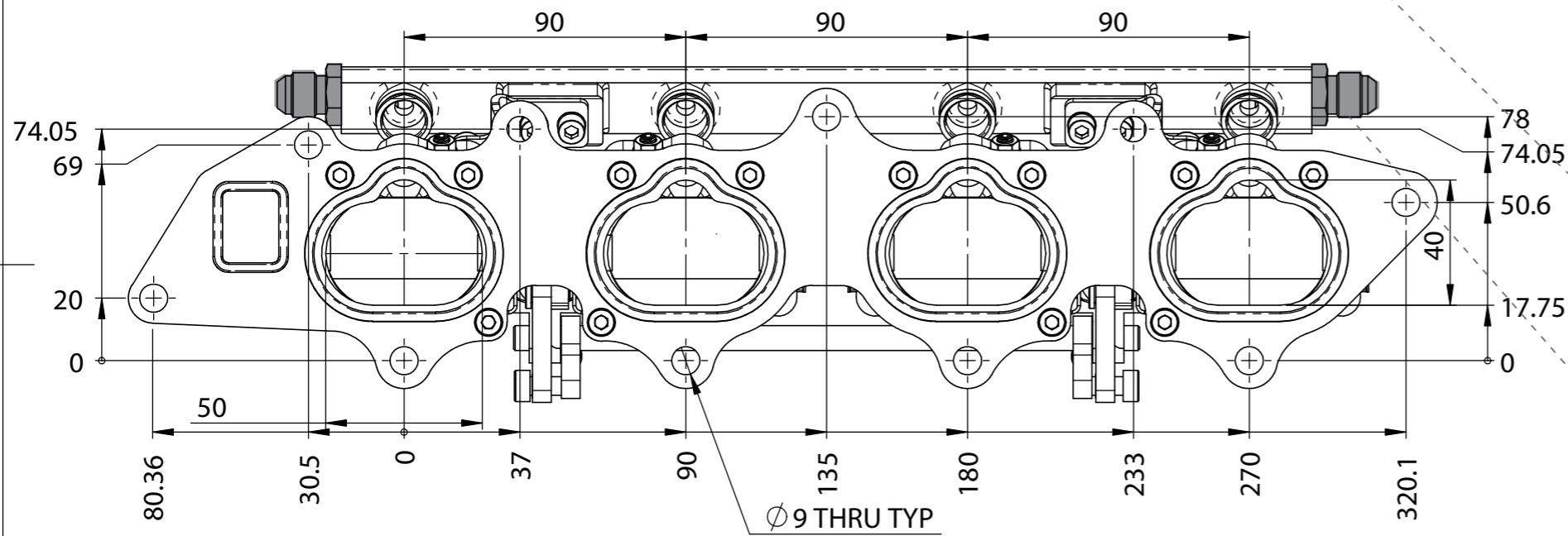
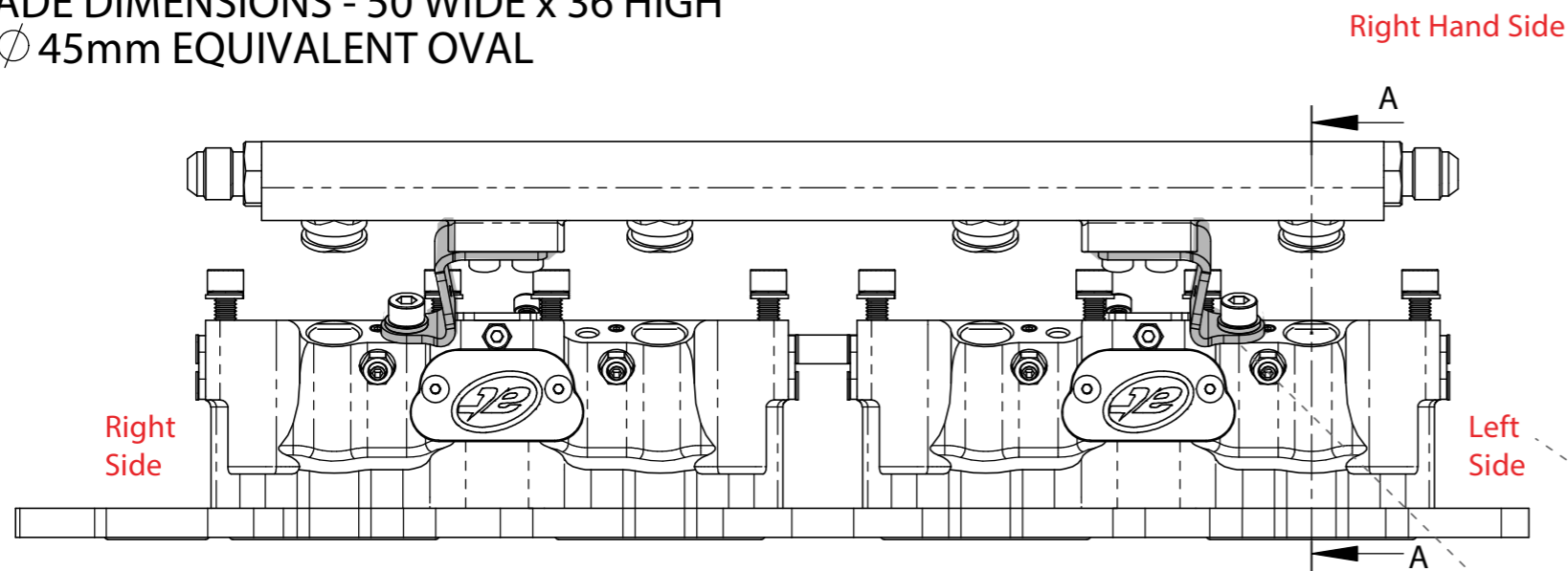
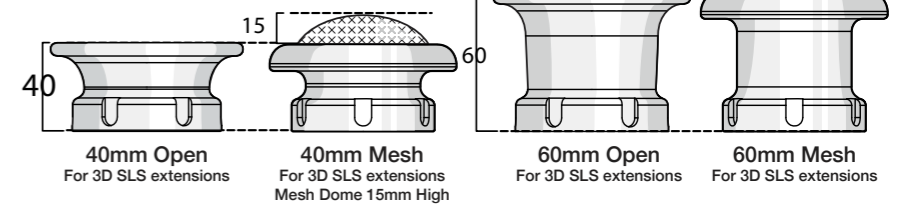


NOTE;  
 BLADE DIMENSIONS - 50 WIDE x 36 HIGH  
 =  $\phi$  45mm EQUIVALENT OVAL

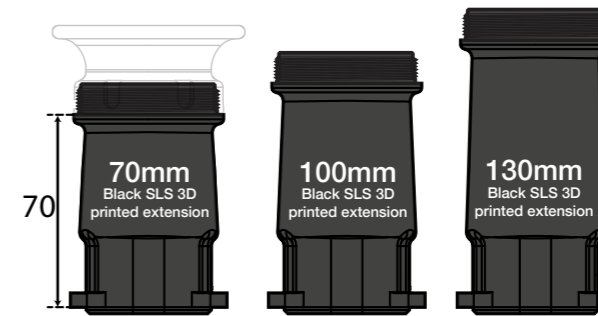


### Ensure sizes fit in engine

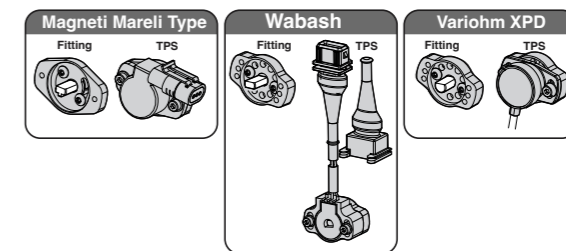
#### Available Trumpets:



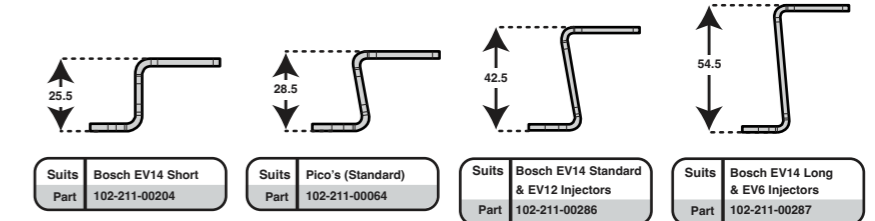
#### Available Extension Lengths: Contact us for curved



#### Available TPS Sides and TPS Options



#### Available Fuel Injector Mounting Brackets:



#### Available Fuel Rail End Fittings:



S-CAN 3D Ltd  
 Bunns Bank Ind Est  
 Attleborough NR17 1QD

UNLESS OTHERWISE STATED:  
 DIMENSIONS IN MILLIMETRES  
 TOLERANCES: LINEAR  $\pm 0.1$  ANGULAR  $\pm 0.5^\circ$   
 SURFACE FINISH  $\sqrt{\text{ }}$   
 DRAWING STANDARDS TO ATQS 6003  
 DATE FORMAT: DD/MM/YY

THIS DESIGN IS THE PROPERTY OF S-CAN 3D LTD AND MUST NOT BE REPRODUCED OR COMMUNICATED WITHOUT AUTHORITY

CAD PLOT  
 DO NOT  
 SCALE

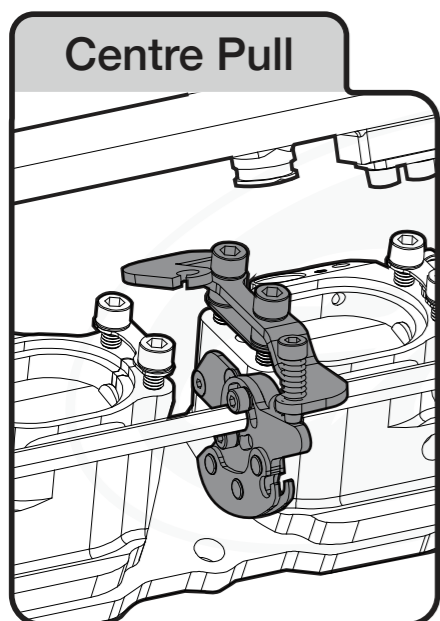
THIRD ANGLE PROJECTION	
SCALE 1:2	WEIGHT 1.9 kg
DRAWN- S.HOW	DATE- 20/05/20
CHECKED- S.HOW	APPROVED- A.CLIFTON

MATERIAL	SEE COMPONENT PARTS
FINISH	SEE COMPONENT PARTS
DRAWING TITLE	ASSY - HOUSING - TWIN - HONDA - B18
DRAWING NUMBER	102-104-00018

## Select Cable Pull or Drive-By-Wire

### Cable Pull Linkage

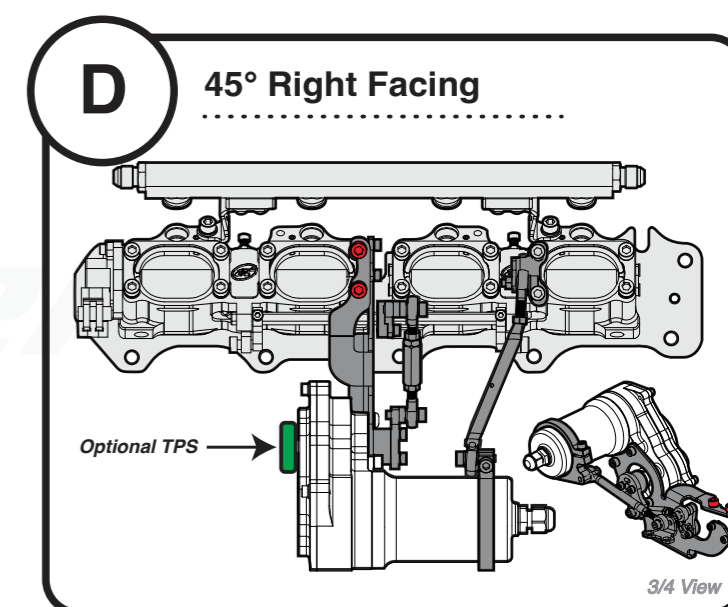
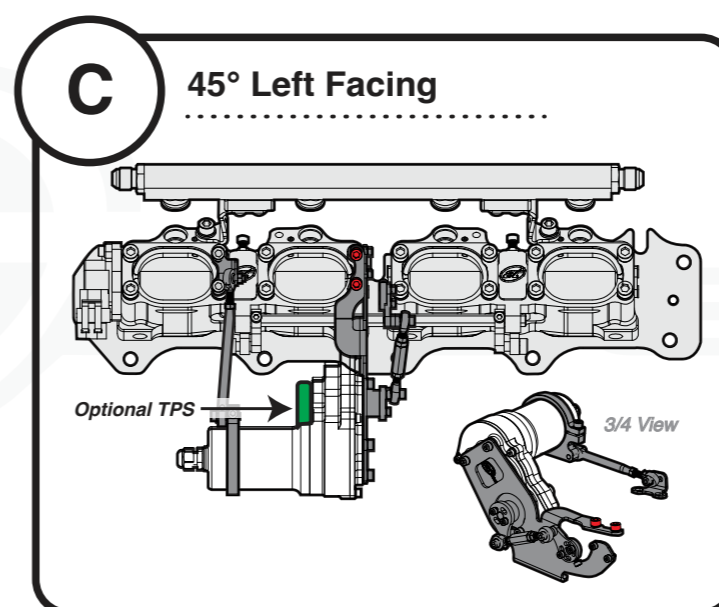
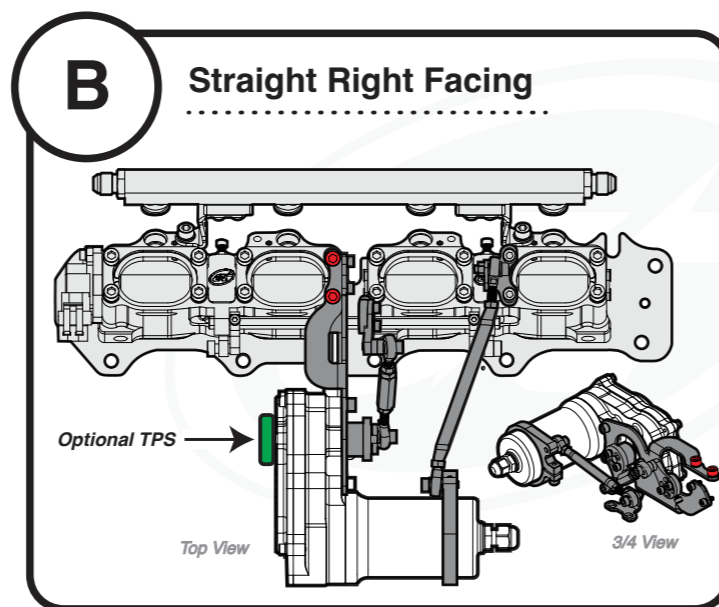
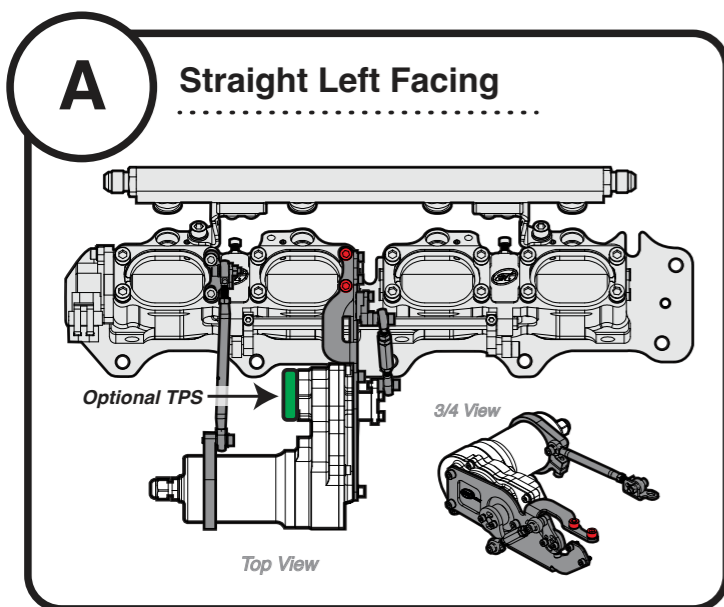
All Linkage suitable for AT Power's 3m Motorsport Throttle Nipple Cable (Sold Separately)



### DBW (Drive-By-Wire) Actuator Mounting

If you have selected DBW, in the drop down box please advise Mounting Bracketry type:

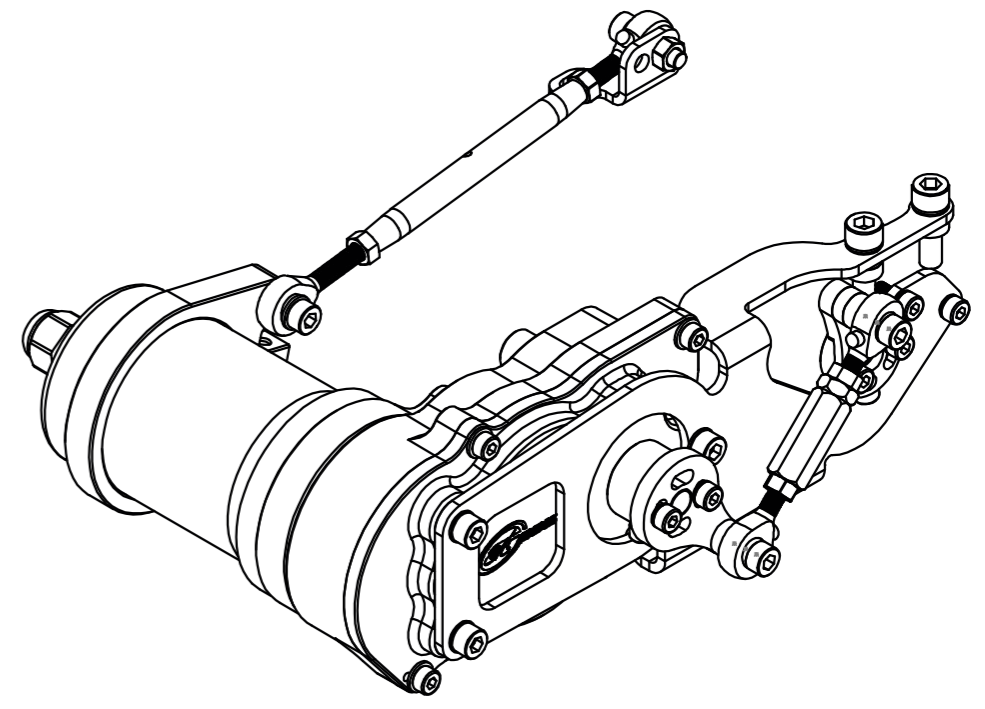
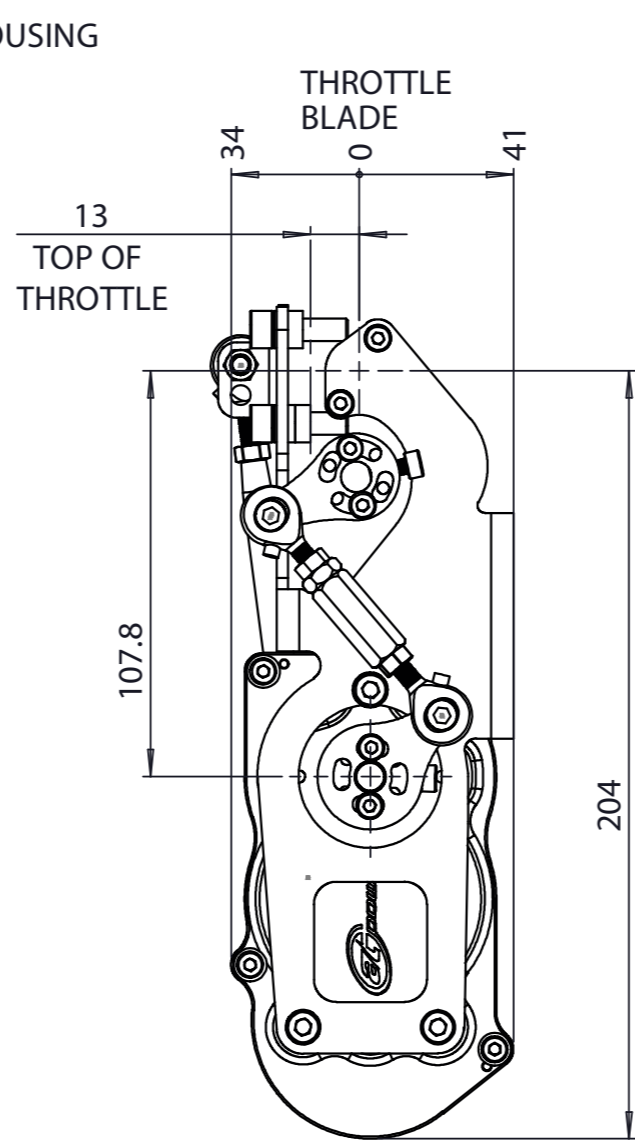
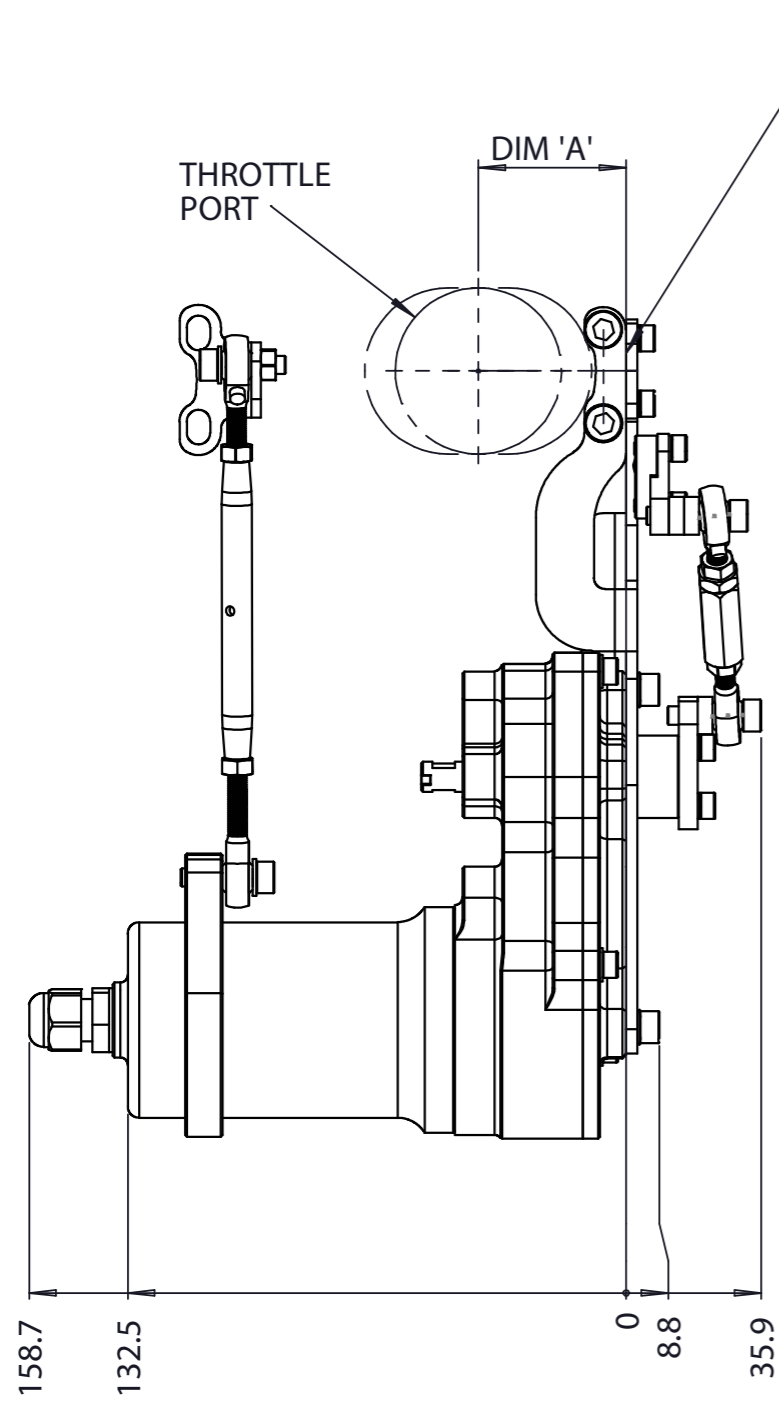
MOUNT:



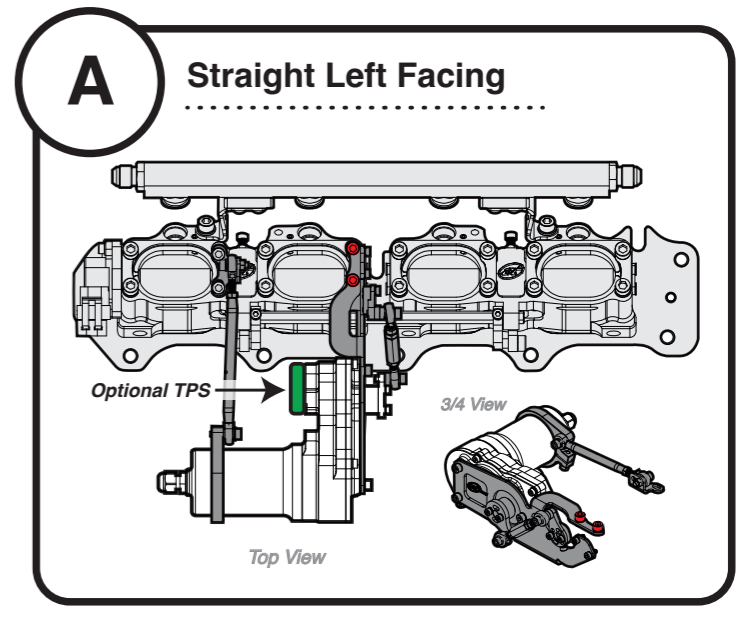
Ensure sizes fit in engine **DBW Actuator bracketry technical drawings on next page**

8 7 6 5 4 3 2 1

F  
E  
D  
C  
B  
A



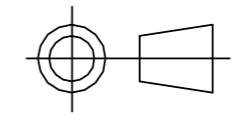
# MOUNT 'A'



DIMENSION 'A'			
THROTTLE SIZE	TWIN OVAL THROTTLES	DCOE ROUND THROTTLES	IDA ROUND THROTTLES
36	N/A	28.5	N/A
38	31.5	29.5	N/A
40	N/A	30.5	N/A
42	34.5	31.5	N/A
45	35.5	33	N/A
48	N/A	34.5	34.5
50	41.5	N/A	35.5



S-CAN 3D Ltd  
Bunns Bank Ind Est  
Attleborough NR17 1QD



THIRD ANGLE PROJECTION

SCALE 1:2 | WEIGHT 1.4 kg

DRAWN- S.HOW

DATE- 22/11/24

CHECKED- S.HOW

APPROVED- S.HOW

UNLESS OTHERWISE STATED:  
DIMENSIONS IN MILLIMETRES  
TOLERANCES: LINEAR ±0.1 ANGULAR ±0.5°  
SURFACE FINISH √ = √  
DRAWING STANDARDS TO ATQS 6003  
DATE FORMAT: DD/MM/YY

THIS DESIGN IS THE PROPERTY OF S-CAN 3D LTD AND MUST NOT BE REPRODUCED OR COMMUNICATED WITHOUT AUTHORITY

CAD PLOT DO NOT SCALE

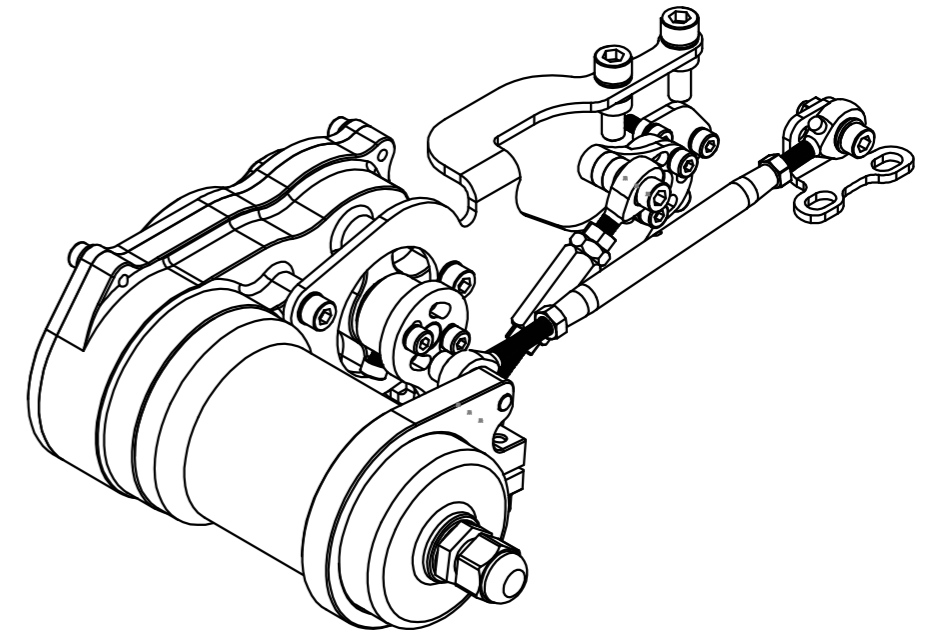
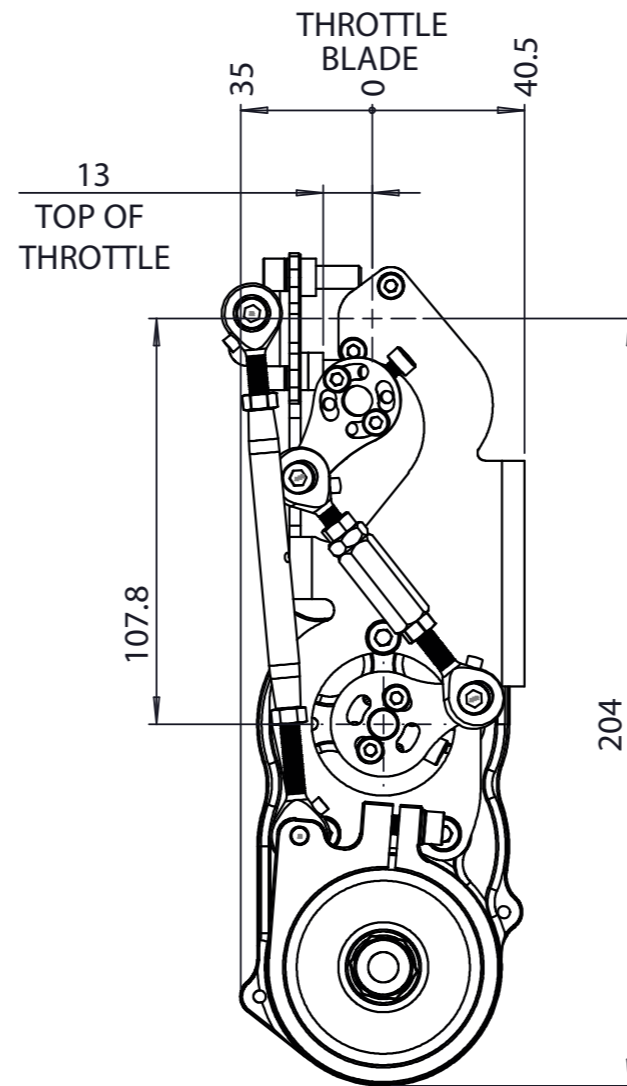
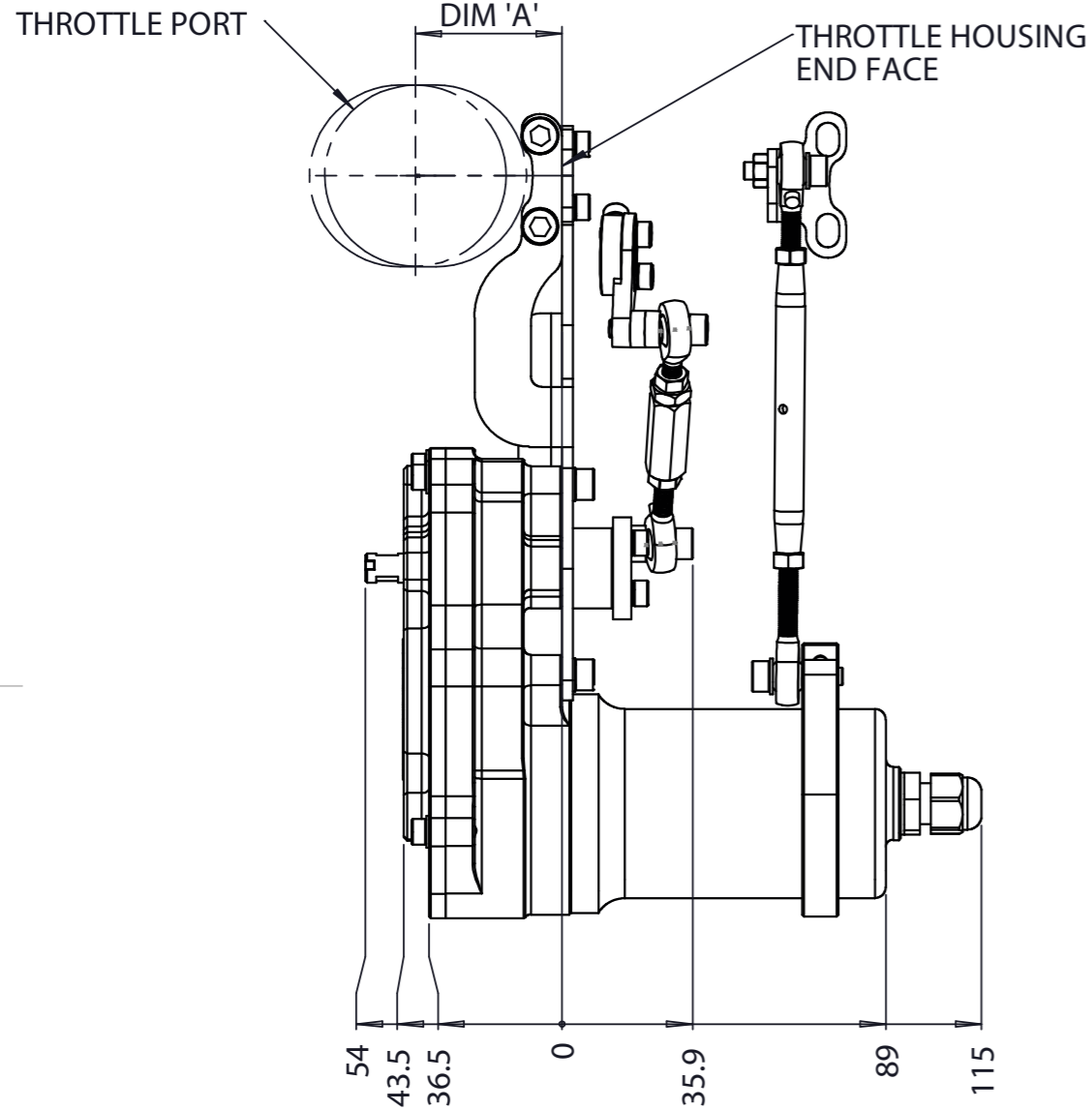
MATERIAL  
SEE COMPONENT PARTS

FINISH  
SEE COMPONENT PARTS

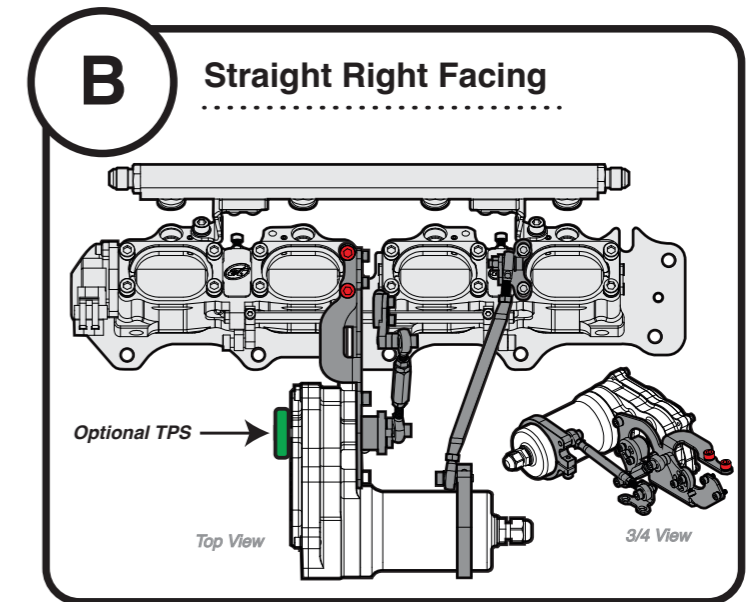
DRAWING TITLE  
**ASSY - DBW ACTUATOR KIT - CENTRAL MOUNT TWIN THROTTLES - LH**

DRAWING NUMBER  
**102-106-00055**

8 7 6 5 4 3 2 1



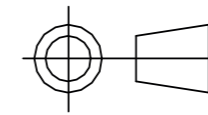
## MOUNT 'B'



DIMENSION 'A'			
THROTTLE SIZE	TWIN OVAL THROTTLES	DCOE ROUND THROTTLES	IDA ROUND THROTTLES
36	N/A	28.5	N/A
38	31.5	29.5	N/A
40	N/A	30.5	N/A
42	34.5	31.5	N/A
45	35.5	33	N/A
48	N/A	34.5	34.5
50	41.5	N/A	35.5



S-CAN 3D Ltd  
Bunns Bank Ind Est  
Attleborough NR17 1QD



THIRD ANGLE PROJECTION

SCALE 1:2 WEIGHT 1.3 kg

DRAWN- S.HOW

DATE- 22/11/24

CHECKED- S.HOW

APPROVED- S.HOW

UNLESS OTHERWISE STATED:  
DIMENSIONS IN MILLIMETRES  
TOLERANCES: LINEAR  $\pm 0.1$  ANGULAR  $\pm 0.5^\circ$   
SURFACE FINISH  $\sqrt{\quad} = \sqrt{\quad}$   
DRAWING STANDARDS TO ATQS 6003  
DATE FORMAT: DD/MM/YY

THIS DESIGN IS THE PROPERTY OF  
S-CAN 3D LTD AND MUST NOT BE  
REPRODUCED OR COMMUNICATED  
WITHOUT AUTHORITY

CAD PLOT  
DO NOT  
SCALE

MATERIAL

SEE COMPONENT PARTS

FINISH

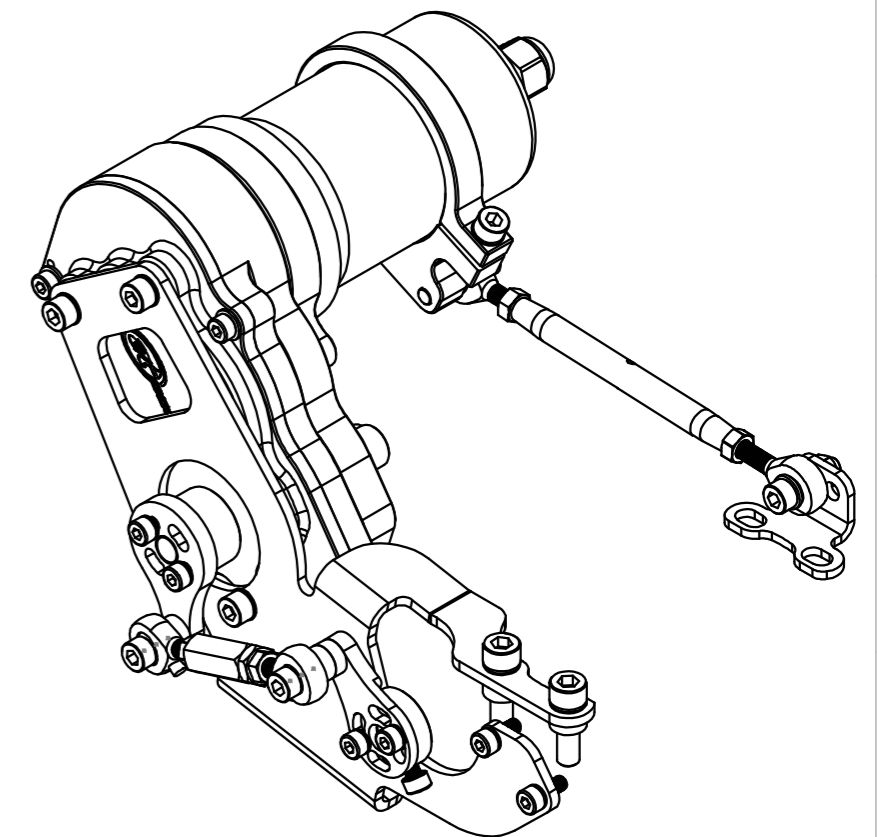
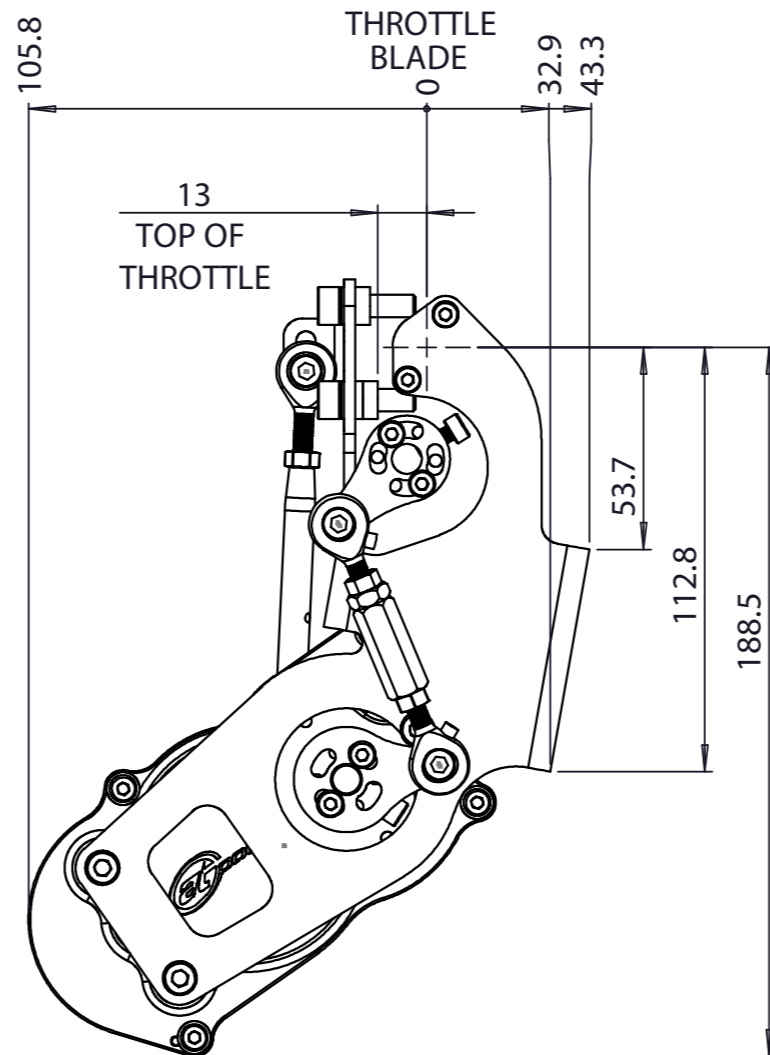
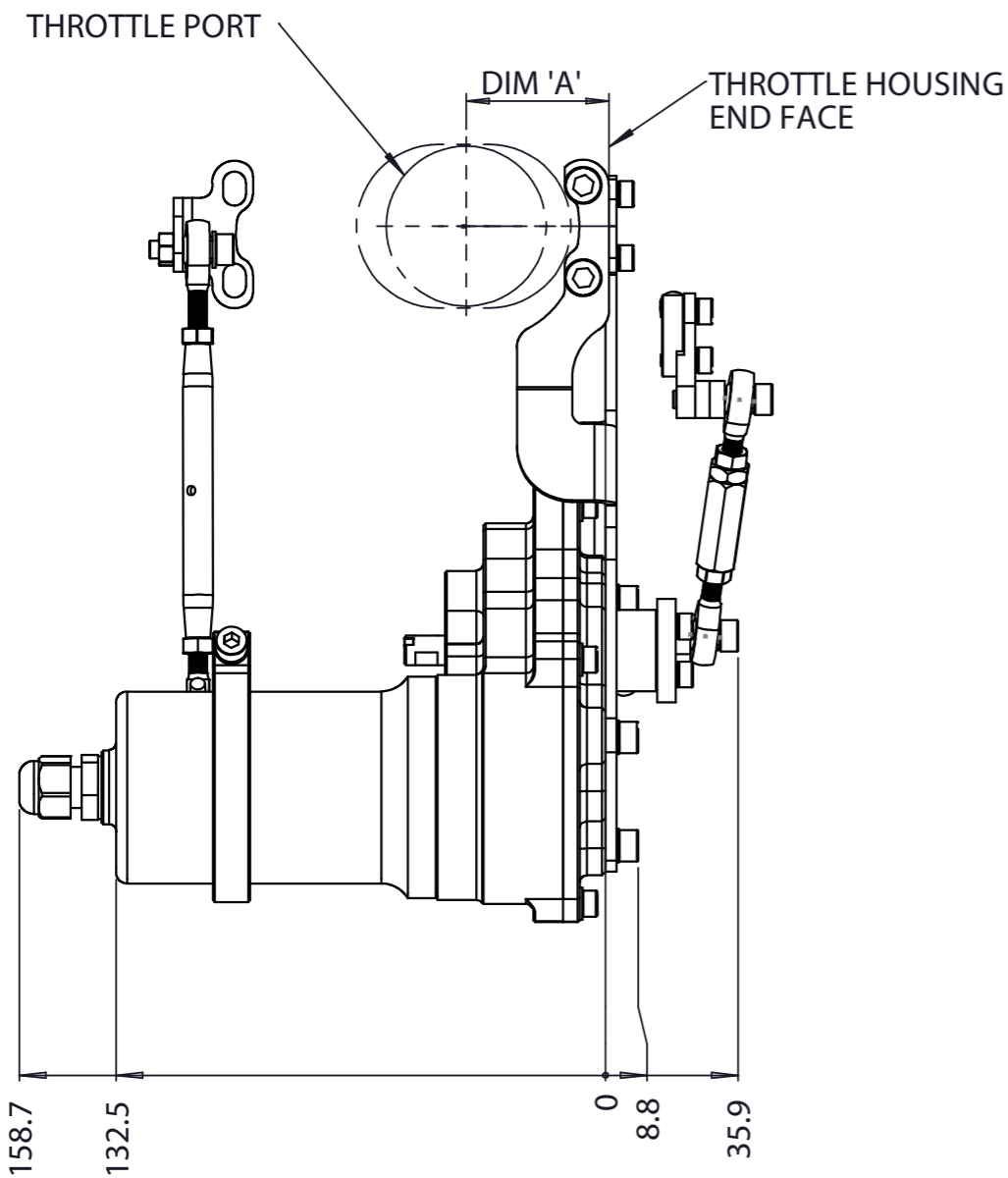
SEE COMPONENT PARTS

DRAWING TITLE

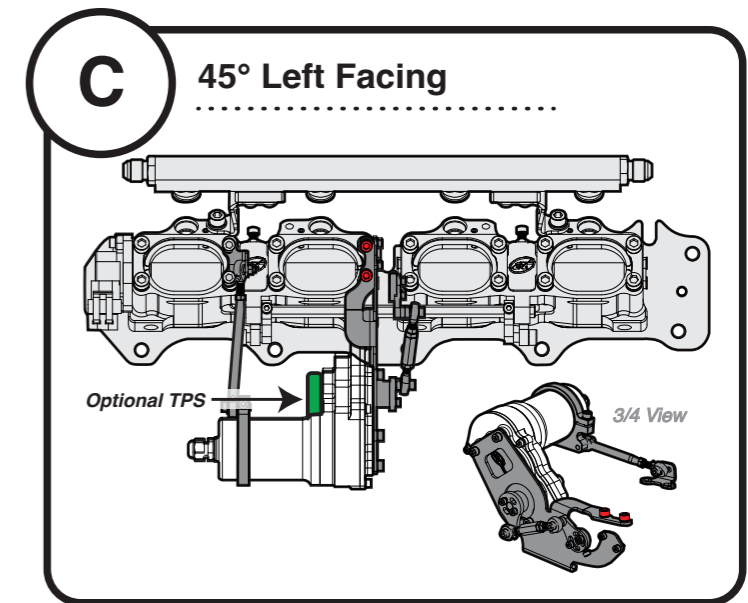
ASSY - DBW ACTUATOR KIT -  
CENTRAL MOUNT TWIN  
THROTTLES - RH

DRAWING NUMBER

102-106-00056



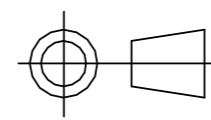
## MOUNT 'C'



DIMENSION 'A'			
THROTTLE SIZE	TWIN OVAL THROTTLES	DCOE ROUND THROTTLES	IDA ROUND THROTTLES
36	N/A	28.5	N/A
38	31.5	29.5	N/A
40	N/A	30.5	N/A
42	34.5	31.5	N/A
45	35.5	33	N/A
48	N/A	34.5	34.5
50	41.5	N/A	35.5



S-CAN 3D Ltd  
Bunns Bank Ind Est  
Attleborough NR17 1QD



THIRD ANGLE PROJECTION

SCALE 1:2      WEIGHT 1.4 kg

DRAWN- S.HOW

DATE- 22/11/24

CHECKED- S.HOW

APPROVED- S.HOW

UNLESS OTHERWISE STATED:  
DIMENSIONS IN MILLIMETRES  
TOLERANCES: LINEAR ± 0.1 ANGULAR ± 0.5 °  
SURFACE FINISH √ = √  
DRAWING STANDARDS TO ATQS 6003  
DATE FORMAT: DD/MM/YY  
THIS DESIGN IS THE PROPERTY OF  
S-CAN 3D LTD AND MUST NOT BE  
REPRODUCED OR COMMUNICATED  
WITHOUT AUTHORITY

CAD PLOT  
DO NOT  
SCALE

MATERIAL

SEE COMPONENT PARTS

FINISH

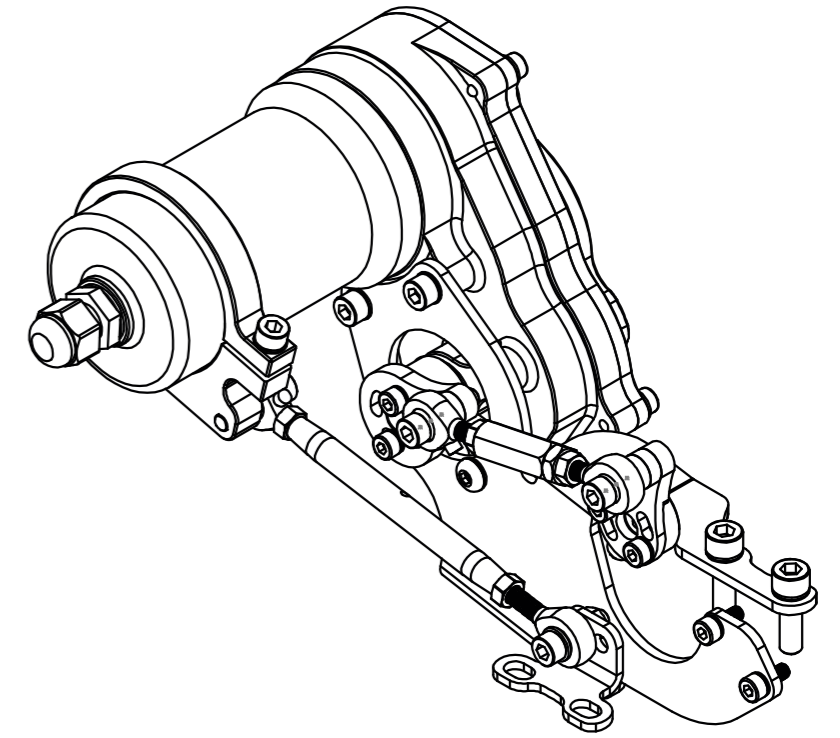
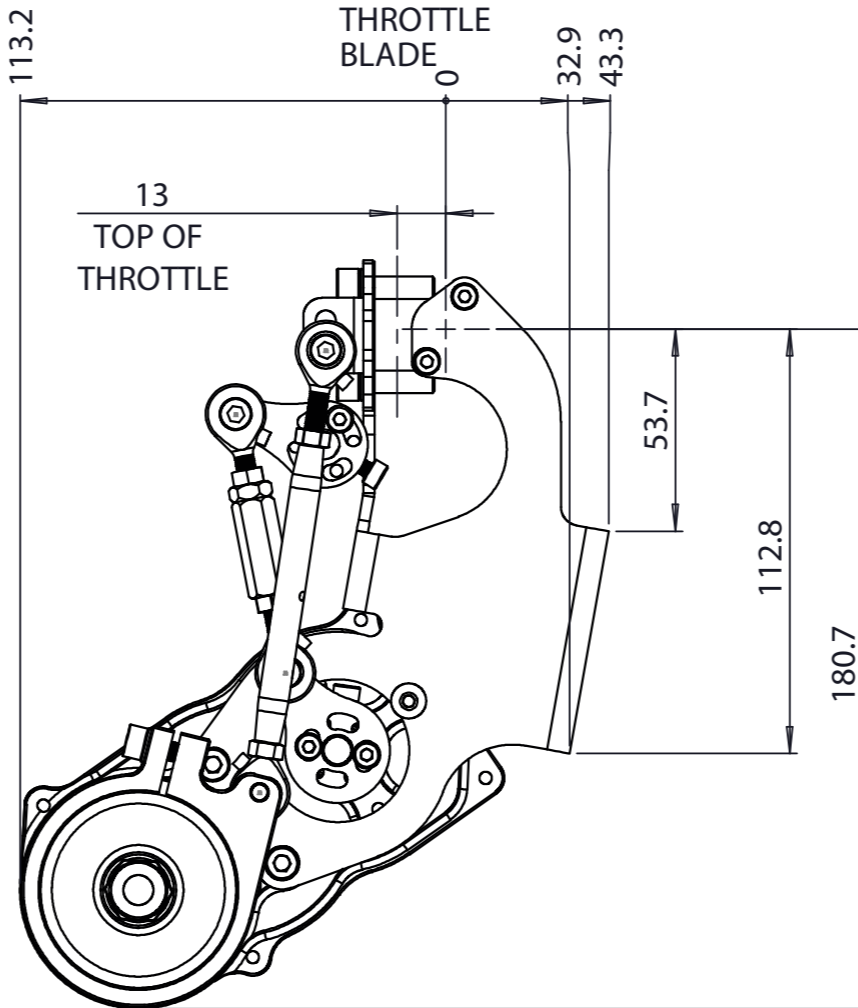
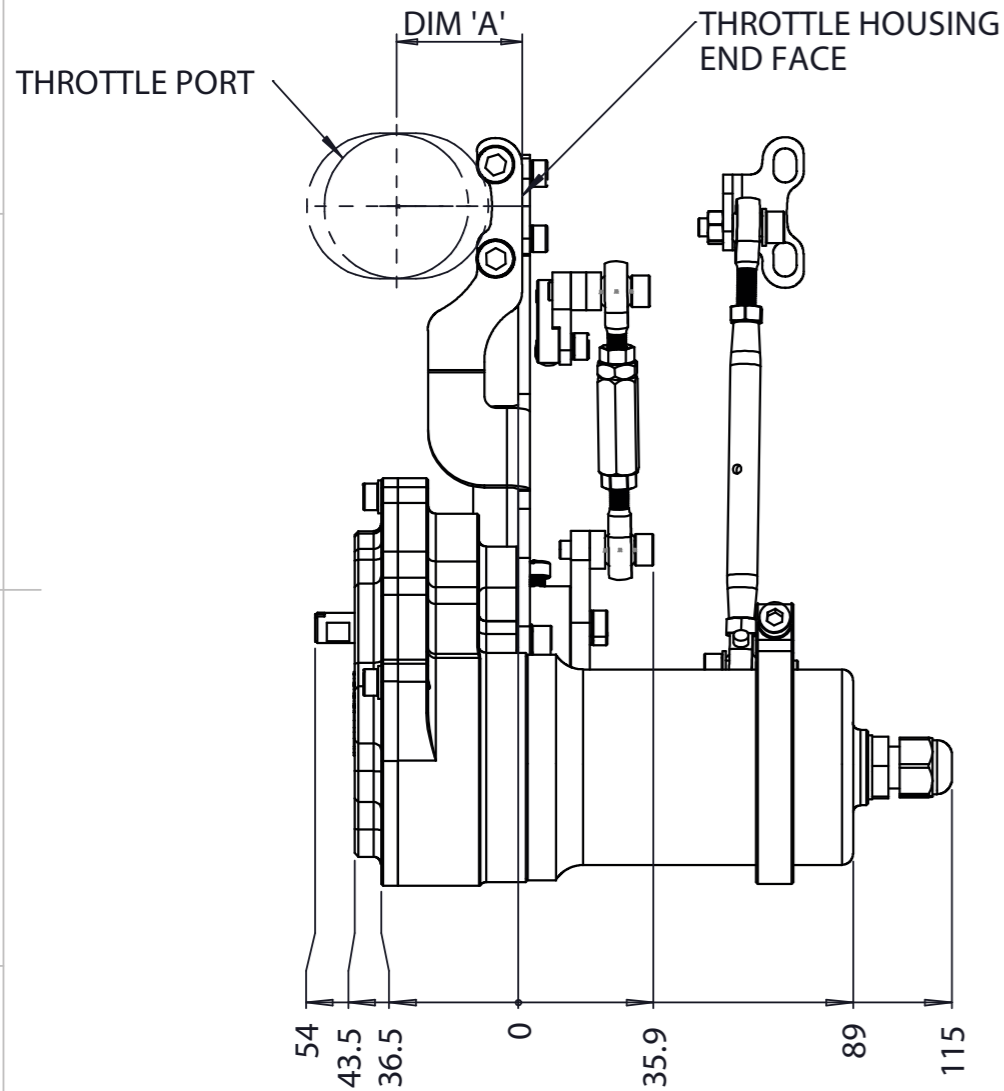
SEE COMPONENT PARTS

DRAWING TITLE

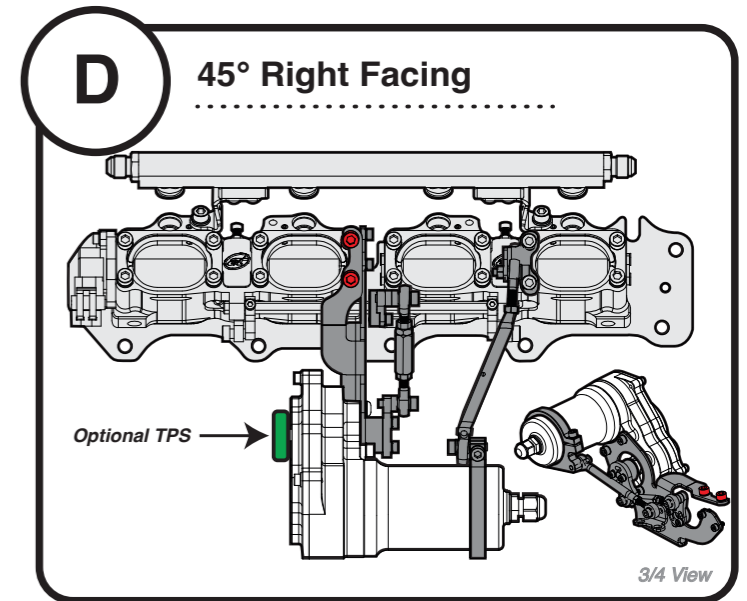
ASSY - DBW ACTUATOR KIT -  
CENTRAL MOUNT TWIN  
THROTTLES - LH - 45 DEGREES

DRAWING NUMBER

102-106-00080



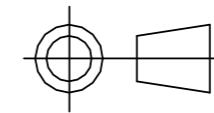
## MOUNT 'D'



DIMENSION 'A'			
THROTTLE SIZE	TWIN OVAL THROTTLES	DCOE ROUND THROTTLES	IDA ROUND THROTTLES
36	N/A	28.5	N/A
38	31.5	29.5	N/A
40	N/A	30.5	N/A
42	34.5	31.5	N/A
45	35.5	33	N/A
48	N/A	34.5	34.5
50	41.5	N/A	35.5



S-CAN 3D Ltd  
Bunns Bank Ind Est  
Attleborough NR17 1QD



THIRD ANGLE PROJECTION

SCALE 1:2 WEIGHT 1.4 kg

DRAWN- S.HOW

DATE- 22/11/24

CHECKED- S.HOW

APPROVED- S.HOW

UNLESS OTHERWISE STATED:  
DIMENSIONS IN MILLIMETRES  
TOLERANCES: LINEAR  $\pm 0.1$  ANGULAR  $\pm 0.5^\circ$   
SURFACE FINISH  $\sqrt{}$  =  $\sqrt{}$   
DRAWING STANDARDS TO ATQS 6003  
DATE FORMAT: DD/MM/YY

THIS DESIGN IS THE PROPERTY OF  
S-CAN 3D LTD AND MUST NOT BE  
REPRODUCED OR COMMUNICATED  
WITHOUT AUTHORITY

CAD PLOT  
DO NOT  
SCALE

MATERIAL

SEE COMPONENT PARTS

FINISH

SEE COMPONENT PARTS

DRAWING TITLE

ASSY - DBW ACTUATOR KIT -  
CENTRAL MOUNT -TWIN  
THROTTLES - RH- 45 DEGREE UP

DRAWING NUMBER

102-106-00066

SHEET 2 OF 2 A3