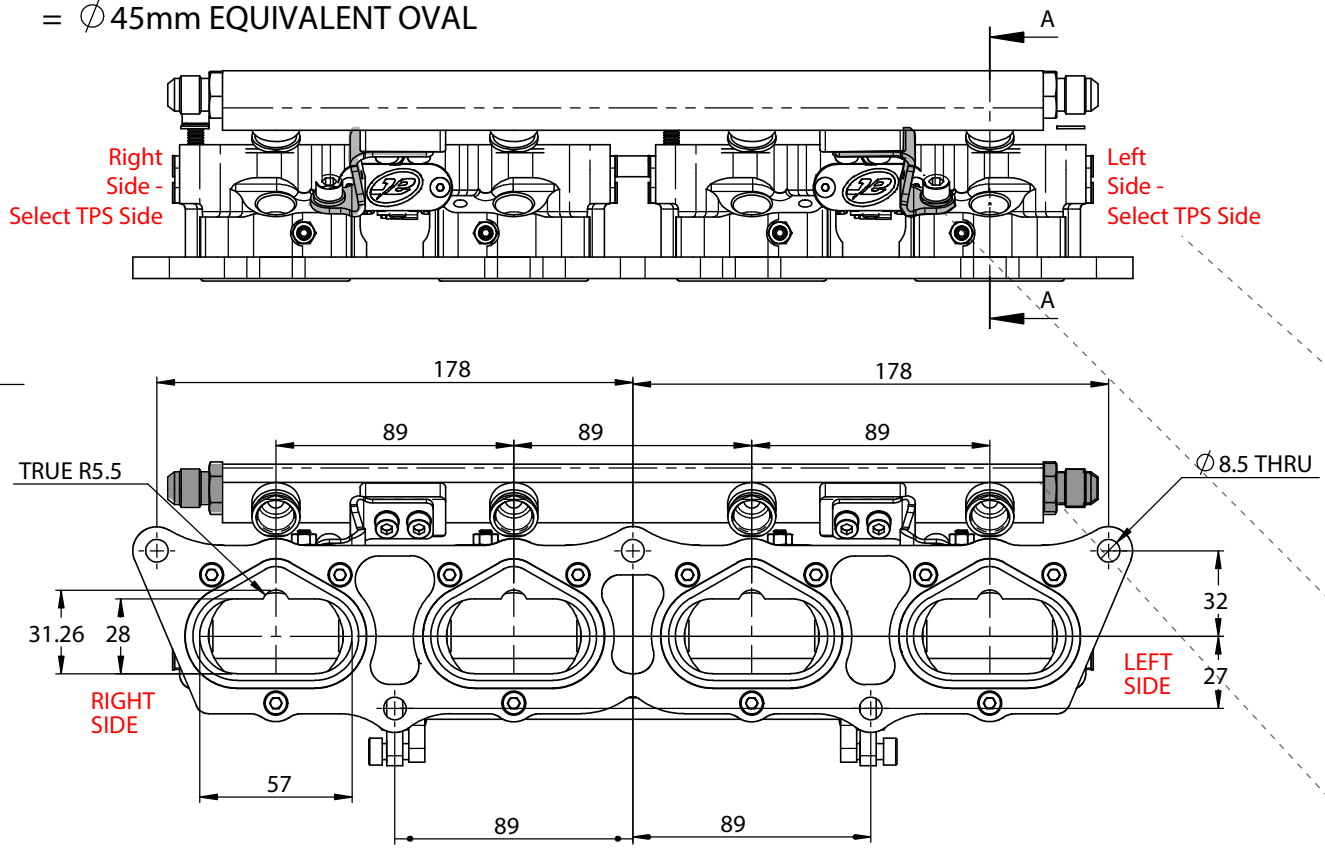


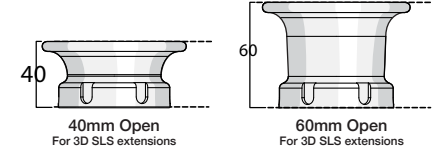
NOTE;

BLADE DIMENSIONS - 50 WIDE x 36 HIGH  
=  $\varnothing$ 45mm EQUIVALENT OVAL

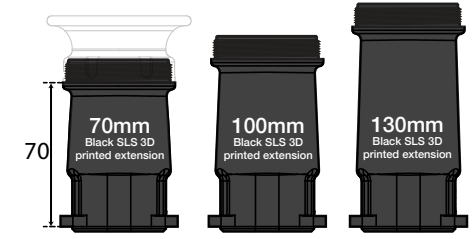


**Ensure sizes fit in engine**

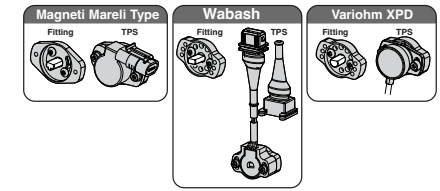
Available Trumpets:



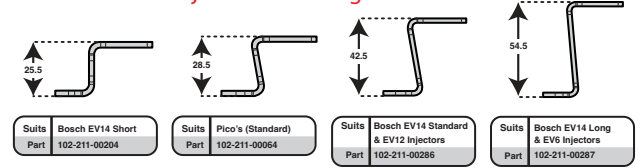
Available Extension Lengths: Contact us for curved



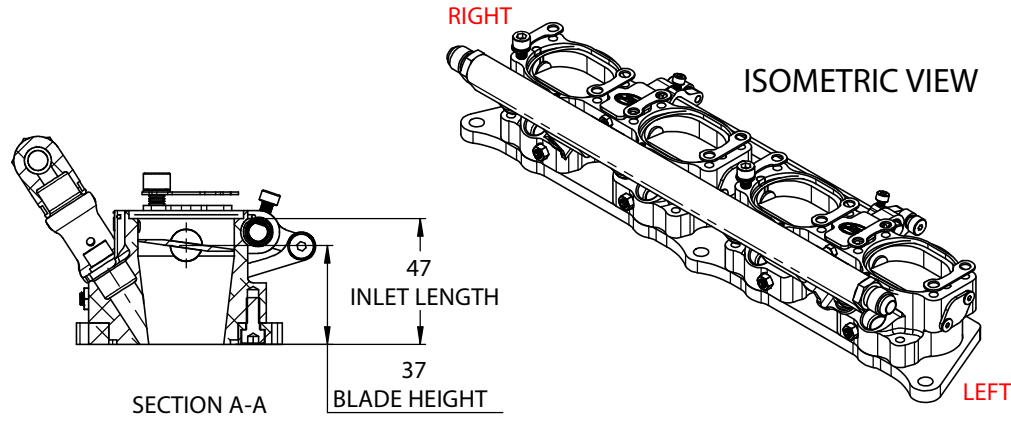
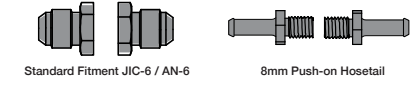
Available TPS Sides and TPS Options



Available Fuel Injector Mounting Brackets:



Available Fuel Rail End Fittings:



**alpower**

S-CAN 3D Ltd  
Bunns Bank Ind Est  
Attleborough NR17 1QD

THIRD ANGLE PROJECTION

SCALE 1:2 WEIGHT 1.6 kg

DRAWN- S.HOW

DATE- 21/01/26

CHECKED - S.HOW

APPROVED - S.HOW

MATERIAL	SEE COMPONENT PARTS
FINISH	SEE COMPONENT PARTS
DRAWING TITLE	ASSY - HOUSING - TWIN - RENAULT - F4R - 830 - 0 DEG
DRAWING NUMBER	102-104-00037

UNLESS OTHERWISE STATED:  
DIMENSIONS IN MILLIMETRES  
TOLERANCES: LINEAR  $\pm 0.1$  ANGULAR  $\pm 0.5^\circ$   
SURFACE FINISH  $\sqrt{}$  =  $\sqrt{}$   
DRAWING STANDARDS TO ATQS 6003  
DATE FORMAT: DD/MM/YY

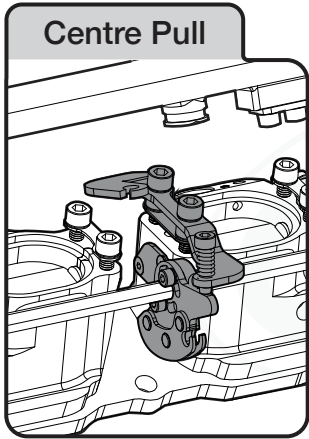
THIS DESIGN IS THE PROPERTY OF S-CAN 3D LTD AND MUST NOT BE REPRODUCED OR COMMUNICATED WITHOUT AUTHORITY

CAD PLOT DO NOT SCALE

## Select Cable Pull or Drive-By-Wire

### Cable Pull Linkage

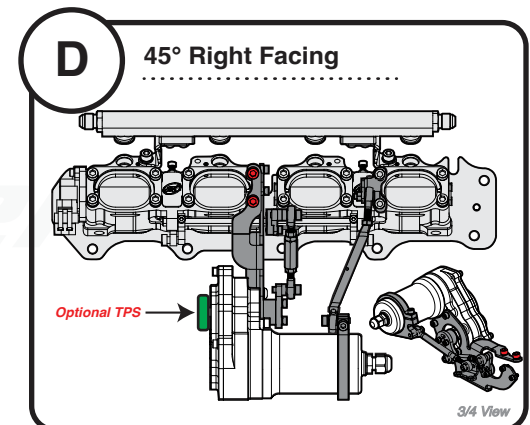
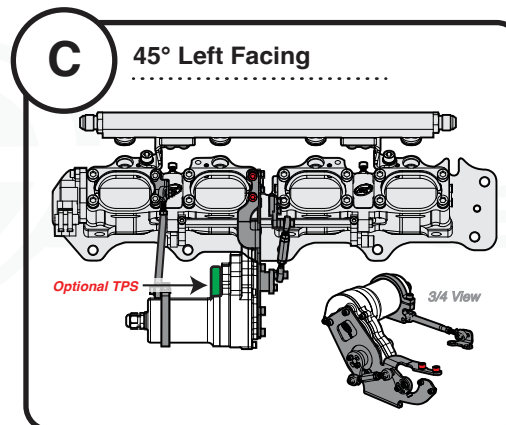
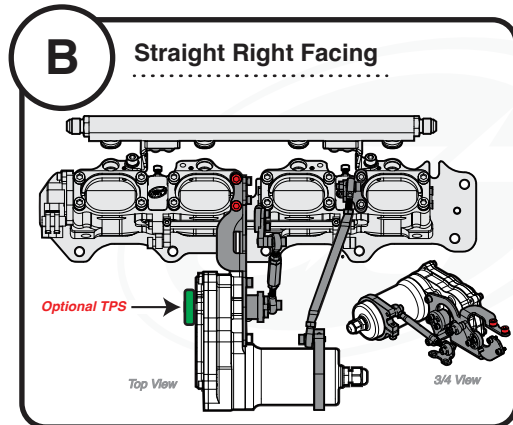
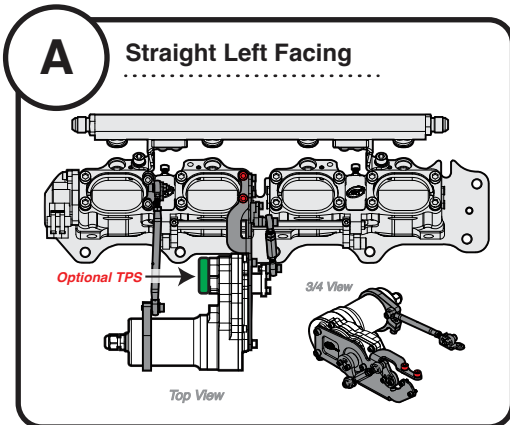
All Linkage suitable for AT Power's 3m Motorsport Throttle Nipple Cable (Sold Separately)



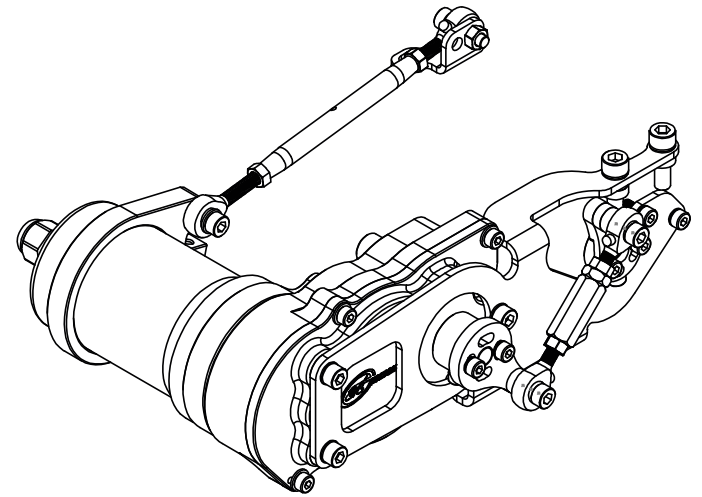
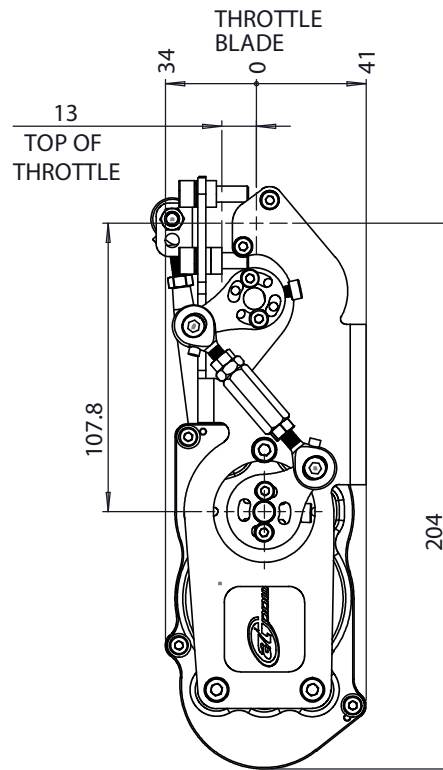
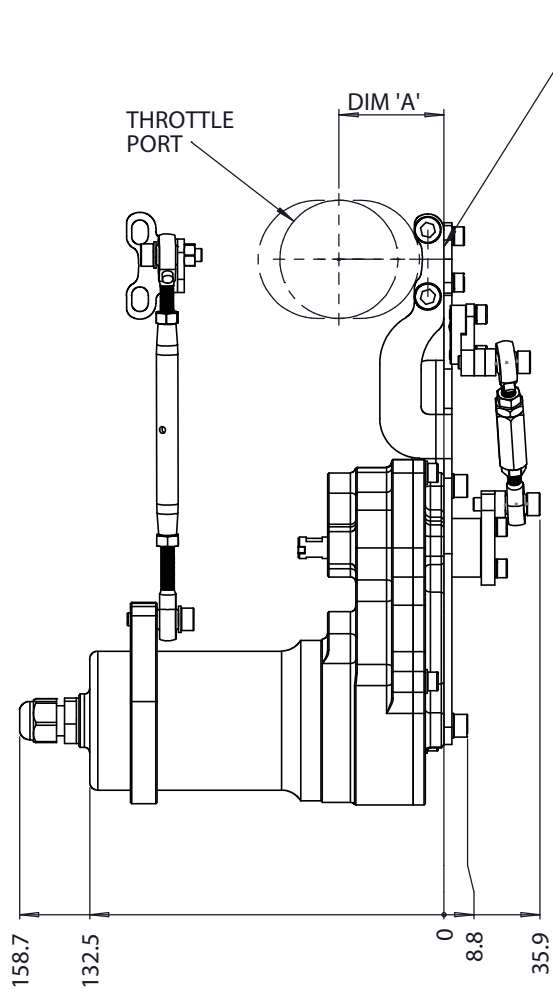
### DBW (Drive-By-Wire) Actuator Mounting

If you have selected DBW, in the drop down box please advise Mounting Bracketry type:

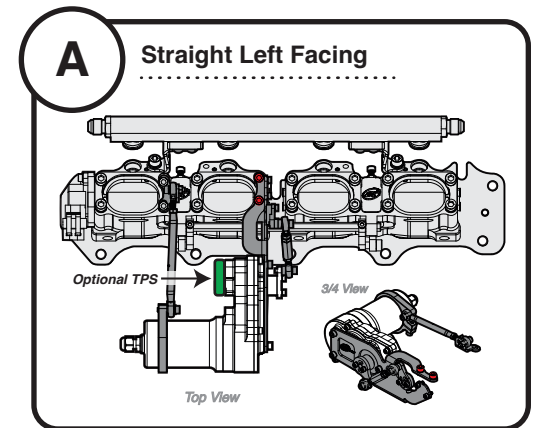
MOUNT:



Ensure sizes fit in engine DBW Actuator bracketry technical drawings on next page



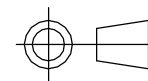
## MOUNT 'A'



DIMENSION 'A'			
THROTTLE SIZE	TWIN OVAL THROTTLES	DCOE ROUND THROTTLES	IDA ROUND THROTTLES
36	N/A	28.5	N/A
38	31.5	29.5	N/A
40	N/A	30.5	N/A
42	34.5	31.5	N/A
45	35.5	33	N/A
48	N/A	34.5	34.5
50	41.5	N/A	35.5



S-CAN 3D Ltd  
Bunns Bank Ind Est  
Attleborough NR17 1QD



THIRD ANGLE PROJECTION

SCALE 1:2 WEIGHT 1.4 kg

DRAWN- S.HOW

DATE- 22/11/24

CHECKED - S.HOW

APPROVED - S.HOW

UNLESS OTHERWISE STATED:  
DIMENSIONS IN MILLIMETRES  
TOLERANCES: LINEAR  $\pm 0.1$  ANGULAR  $\pm 0.5^\circ$   
SURFACE FINISH  $\sqrt{}$  =  $\sqrt{}$   
DRAWING STANDARDS TO ATQS 6003  
DATE FORMAT: DD/MM/YY

THIS DESIGN IS THE PROPERTY OF  
S-CAN 3D LTD AND MUST NOT BE  
REPRODUCED OR COMMUNICATED  
WITHOUT AUTHORITY

CAD PLOT  
DO NOT  
SCALE

MATERIAL

SEE COMPONENT PARTS

FINISH

SEE COMPONENT PARTS

DRAWING TITLE

ASSY - DBW ACTUATOR KIT -  
CENTRAL MOUNT TWIN  
THROTTLES - LH

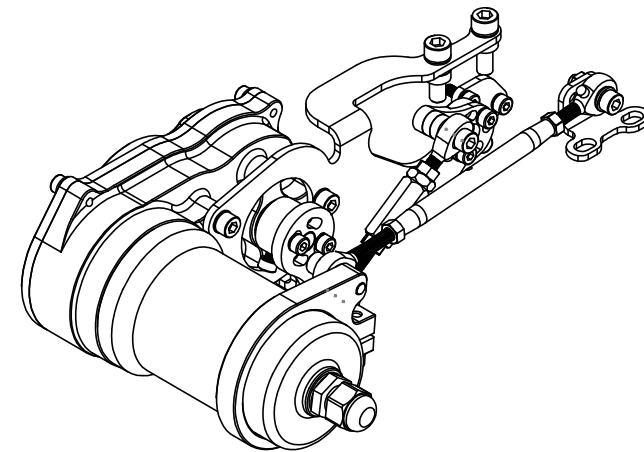
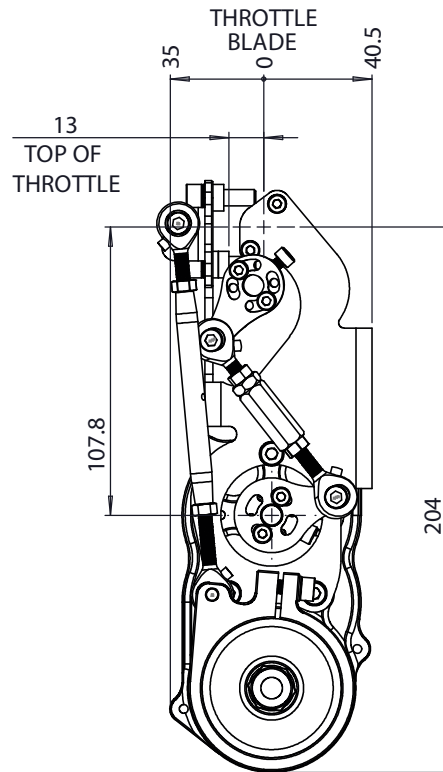
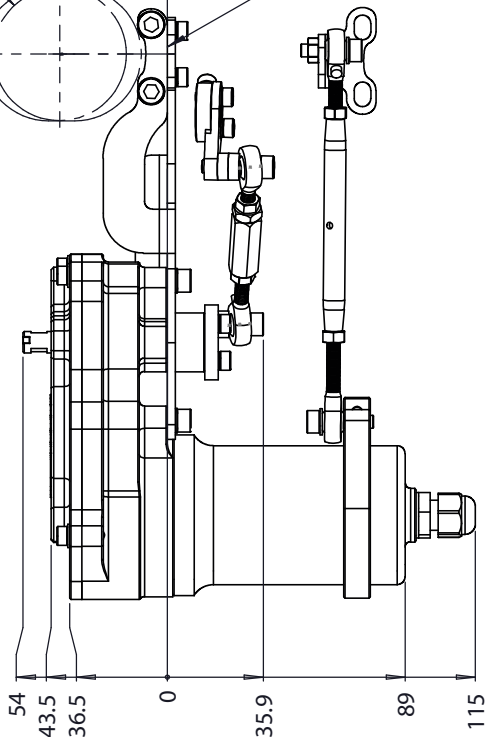
DRAWING NUMBER

102-106-00055

THROTTLE PORT

DIM 'A'

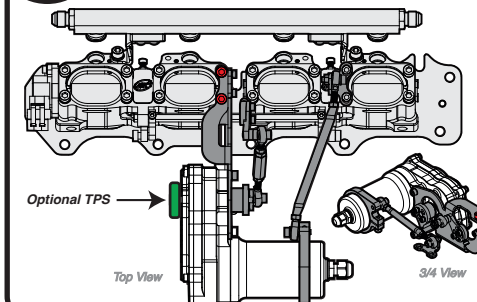
THROTTLE HOUSING  
END FACE



## MOUNT 'B'

**B**

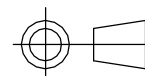
Straight Right Facing



DIMENSION 'A'			
THROTTLE SIZE	TWIN OVAL THROTTLES	DCOE ROUND THROTTLES	IDA ROUND THROTTLES
36	N/A	28.5	N/A
38	31.5	29.5	N/A
40	N/A	30.5	N/A
42	34.5	31.5	N/A
45	35.5	33	N/A
48	N/A	34.5	34.5
50	41.5	N/A	35.5



S-CAN 3D Ltd  
Bunns Bank Ind Est  
Attleborough NR17 1QD



THIRD ANGLE PROJECTION

SCALE 1:2 WEIGHT 1.3 kg

DRAWN - S.HOW

DATE - 22/11/24

CHECKED - S.HOW

APPROVED - S.HOW

UNLESS OTHERWISE STATED:  
DIMENSIONS IN MILLIMETRES  
TOLERANCES: LINEAR ±0.1 ANGULAR ±0.5°  
SURFACE FINISH √ = √  
DRAWING STANDARDS TO ATQS 6003  
DATE FORMAT: DD/MM/YY

THIS DESIGN IS THE PROPERTY OF  
S-CAN 3D LTD AND MUST NOT BE  
REPRODUCED OR COMMUNICATED  
WITHOUT AUTHORITY

CAD PLOT  
DO NOT  
SCALE

MATERIAL

SEE COMPONENT PARTS

FINISH

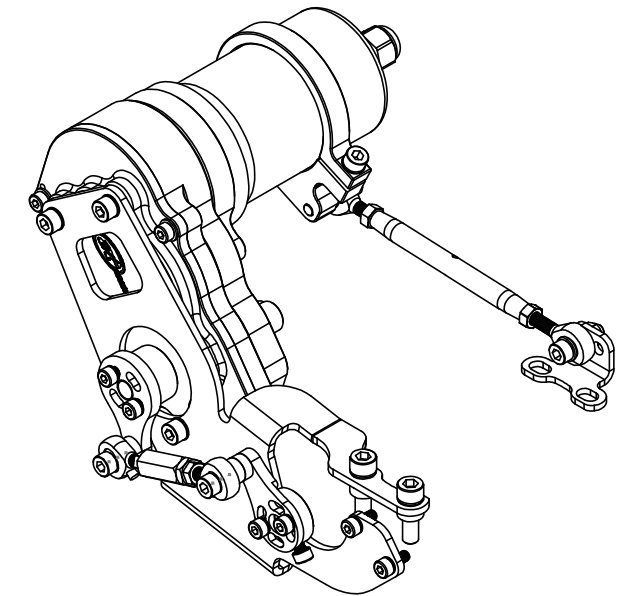
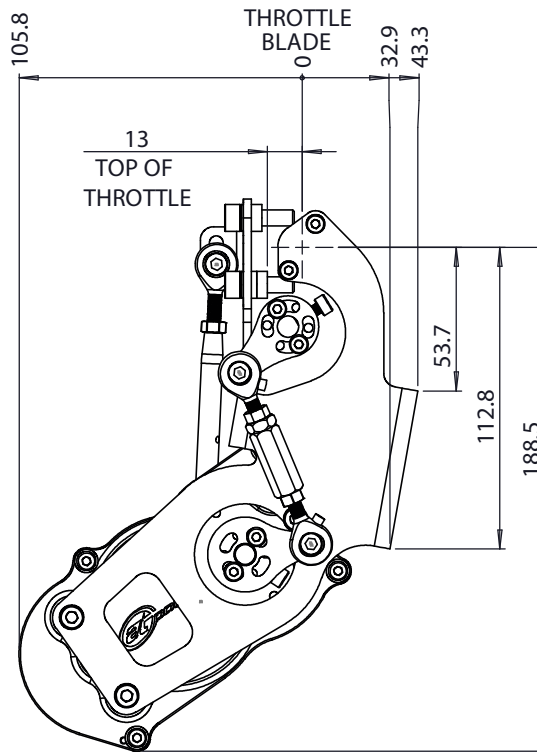
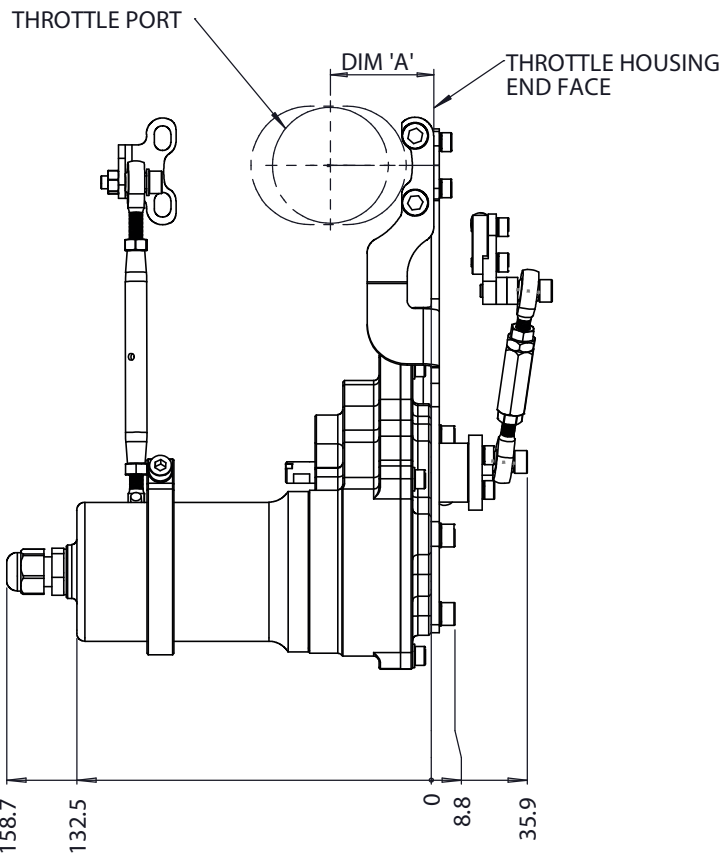
SEE COMPONENT PARTS

DRAWING TITLE

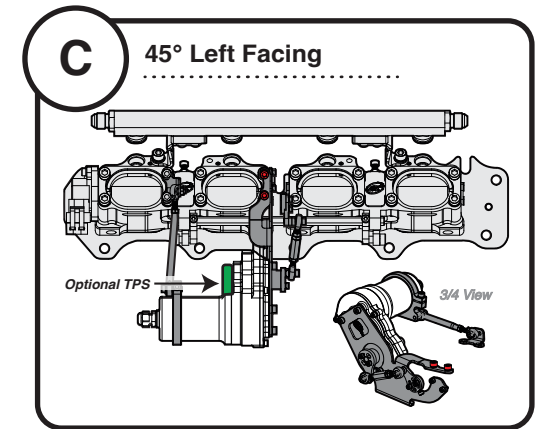
ASSY - DBW ACTUATOR KIT -  
CENTRAL MOUNT TWIN  
THROTTLES - RH

DRAWING NUMBER

102-106-00056



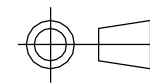
## MOUNT 'C'



DIMENSION 'A'			
THROTTLE SIZE	TWIN OVAL THROTTLES	DCOE ROUND THROTTLES	IDA ROUND THROTTLES
36	N/A	28.5	N/A
38	31.5	29.5	N/A
40	N/A	30.5	N/A
42	34.5	31.5	N/A
45	35.5	33	N/A
48	N/A	34.5	34.5
50	41.5	N/A	35.5



S-CAN 3D Ltd  
Bunns Bank Ind Est  
Attleborough NR17 1QD



THIRD ANGLE PROJECTION

SCALE 1:2 WEIGHT 1.4 kg

DRAWN - S.HOW

DATE - 22/11/24

CHECKED - S.HOW

APPROVED - S.HOW

UNLESS OTHERWISE STATED:  
DIMENSIONS IN MILLIMETRES  
TOLERANCES: LINEAR  $\pm 0.1$  ANGULAR  $\pm 0.5^\circ$   
SURFACE FINISH  $\sqrt{\text{ }} = \sqrt{\text{ }}$   
DRAWING STANDARDS TO ATQS 6003  
DATE FORMAT: DD/MM/YY

THIS DESIGN IS THE PROPERTY OF  
S-CAN 3D LTD AND MUST NOT BE  
REPRODUCED OR COMMUNICATED  
WITHOUT AUTHORITY

CAD PLOT  
DO NOT  
SCALE

MATERIAL

SEE COMPONENT PARTS

FINISH

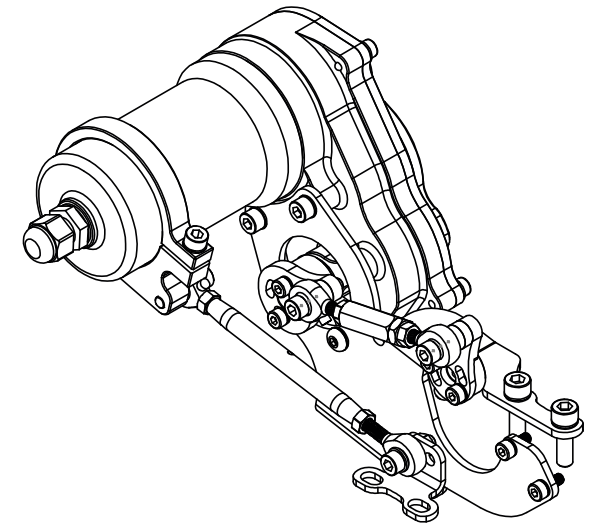
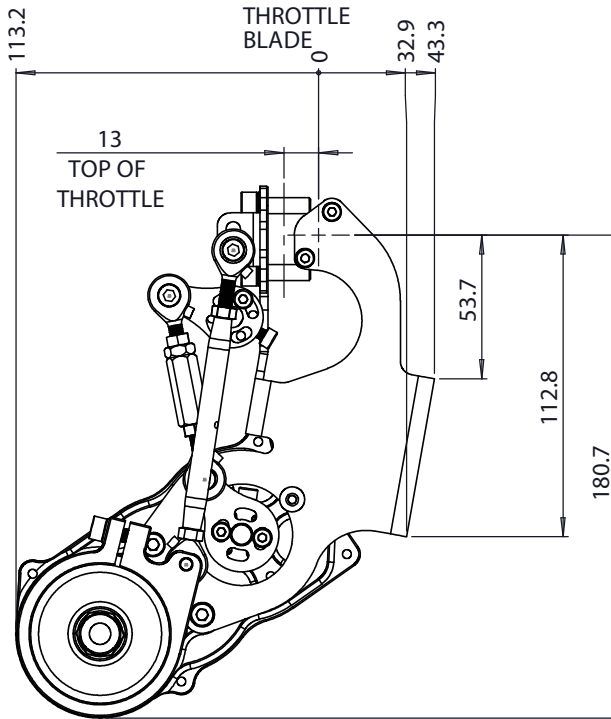
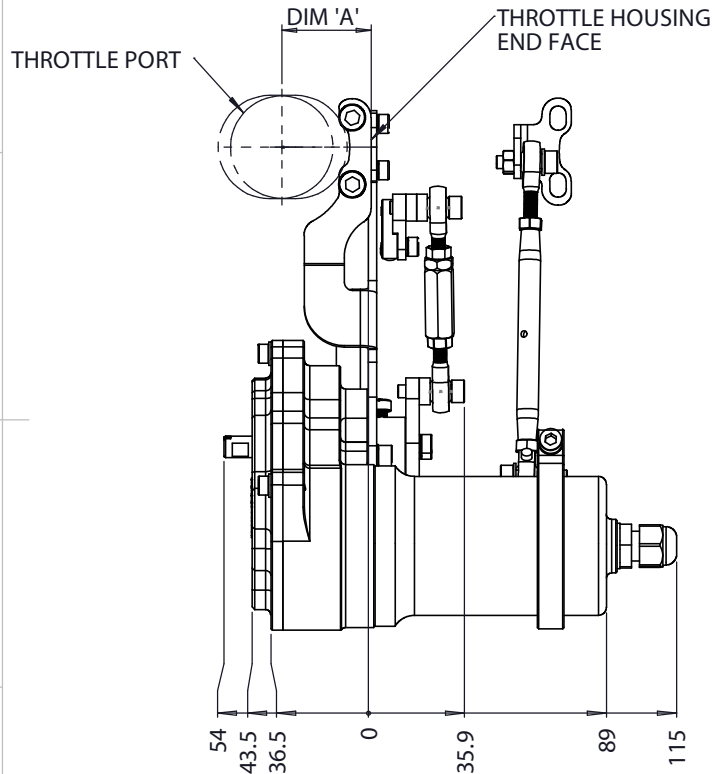
SEE COMPONENT PARTS

DRAWING TITLE

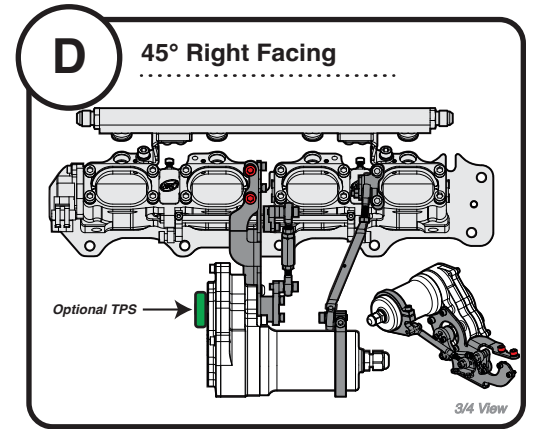
ASSY - DBW ACTUATOR KIT -  
CENTRAL MOUNT TWIN  
THROTTLES - LH - 45 DEGREES

DRAWING NUMBER

102-106-00080



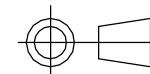
## MOUNT 'D'



DIMENSION 'A'			
THROTTLE SIZE	TWIN OVAL THROTTLES	DCOE ROUND THROTTLES	IDA ROUND THROTTLES
36	N/A	28.5	N/A
38	31.5	29.5	N/A
40	N/A	30.5	N/A
42	34.5	31.5	N/A
45	35.5	33	N/A
48	N/A	34.5	34.5
50	41.5	N/A	35.5



S-CAN 3D Ltd  
Bunns Bank Ind Est  
Attleborough NR17 1QD



THIRD ANGLE PROJECTION

SCALE 1:2 WEIGHT 1.4 kg

DRAWN- S.HOW

DATE- 22/11/24

CHECKED - S.HOW

APPROVED - S.HOW

UNLESS OTHERWISE STATED:  
DIMENSIONS IN MILLIMETRES  
TOLERANCES: LINEAR  $\pm 0.1$  ANGULAR  $\pm 0.5^\circ$   
SURFACE FINISH  $\sqrt{\text{V}}$   
DRAWING STANDARDS TO ATQS 6003  
DATE FORMAT: DD/MM/YY

THIS DESIGN IS THE PROPERTY OF  
S-CAN 3D LTD AND MUST NOT BE  
REPRODUCED OR COMMUNICATED  
WITHOUT AUTHORITY

CAD PLOT  
DO NOT  
SCALE

MATERIAL

SEE COMPONENT PARTS

FINISH

SEE COMPONENT PARTS

DRAWING TITLE

ASSY - DBW ACTUATOR KIT -  
CENTRAL MOUNT -TWIN  
THROTTLES - RH- 45 DEGREE UP

DRAWING NUMBER

102-106-00066

SHEET 2 OF 2 A3