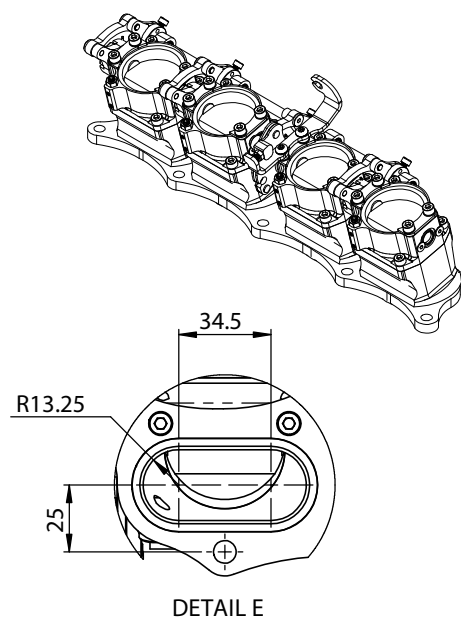
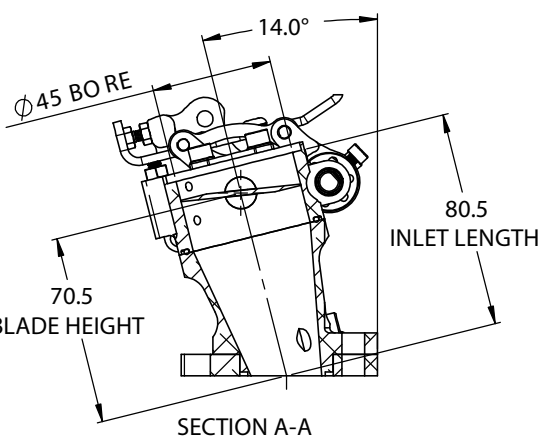
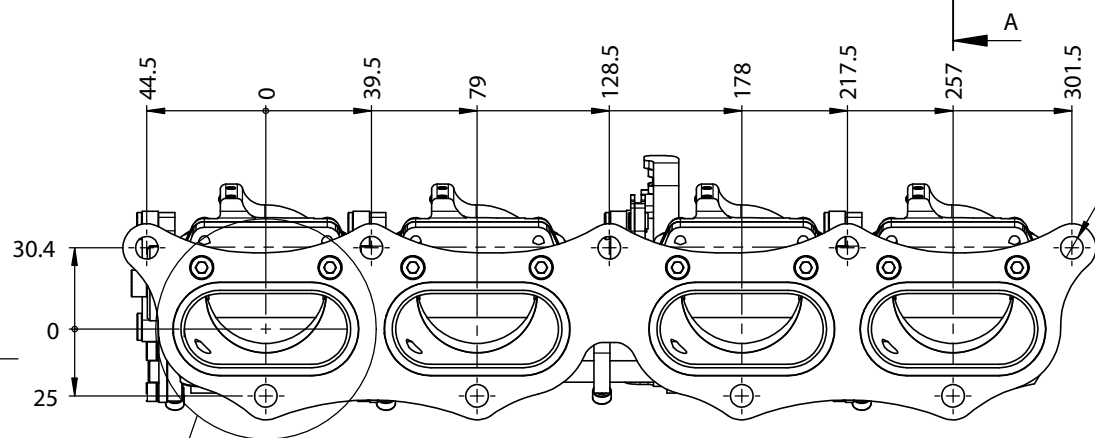
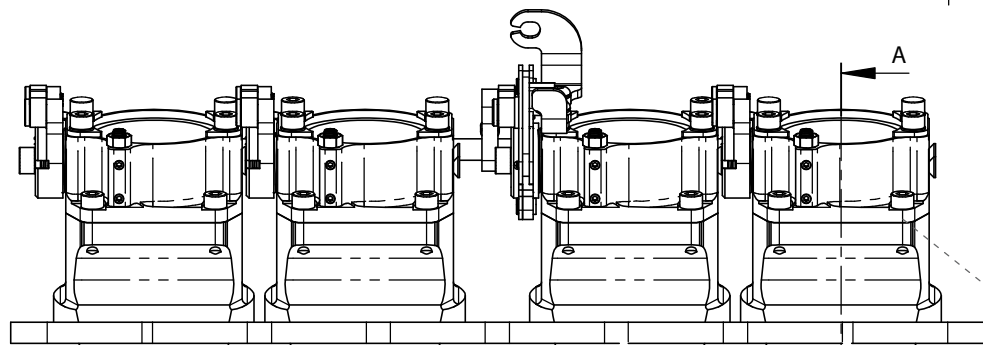


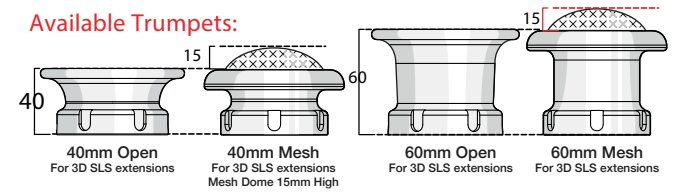
8 7 6 5 4 3 2 1

F E D C B A



Ensure sizes fit in engine

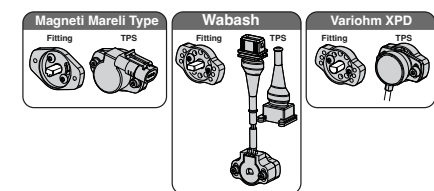
Available Trumpets:



Available Extension Lengths: Contact us for curved



Available Left Hand Side TPS Options



S-CAN 3D Ltd
Bunns Bank Ind Est
Attleborough NR17 1QD

THIRD ANGLE PROJECTION	
SCALE 1:2	WEIGHT 2.1 kg
DRAWN- S.HOW	DATE- 04/04/18
CHECKED- S.HOW	APPROVED- S.HOW

MATERIAL	SEE COMPONENT PARTS
FINISH	SEE COMPONENT PARTS
DRAWING TITLE	ASSY - HOUSING - UNIVERSAL - RENAULT - F7R - CLIO WILLIAMS -ALI EXT -CABLE PULL
DRAWING NUMBER	102-109-00006

UNLESS OTHERWISE STATED:
DIMENSIONS IN MILLIMETRES
TOLERANCES: LINEAR ±0.1 ANGULAR ±0.5°
SURFACE FINISH √ = √
DRAWING STANDARDS TO ATQS 6003
DATE FORMAT: DD/MM/YY

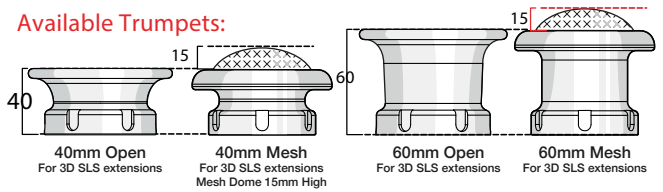
THIS DESIGN IS THE PROPERTY OF S-CAN 3D LTD AND MUST NOT BE REPRODUCED OR COMMUNICATED WITHOUT AUTHORITY

CAD PLOT DO NOT SCALE

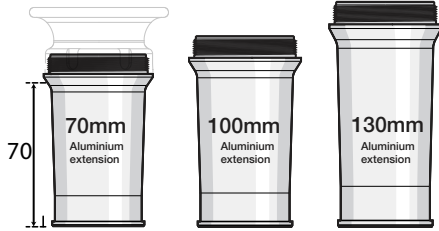
8 7 6 5 4 3 2 1

Ensure sizes fit in engine

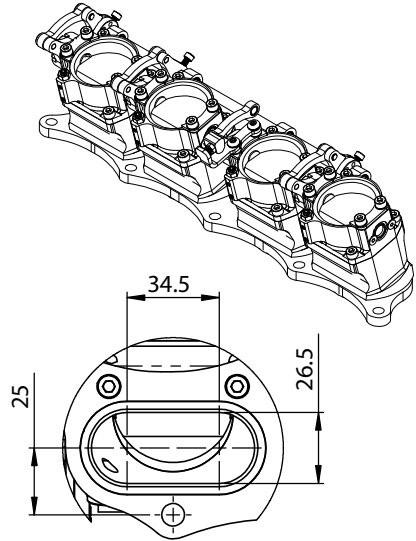
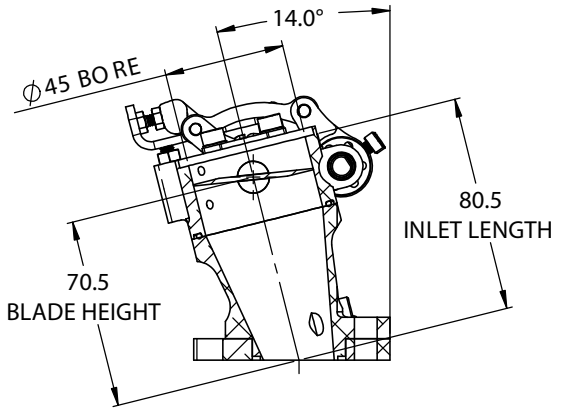
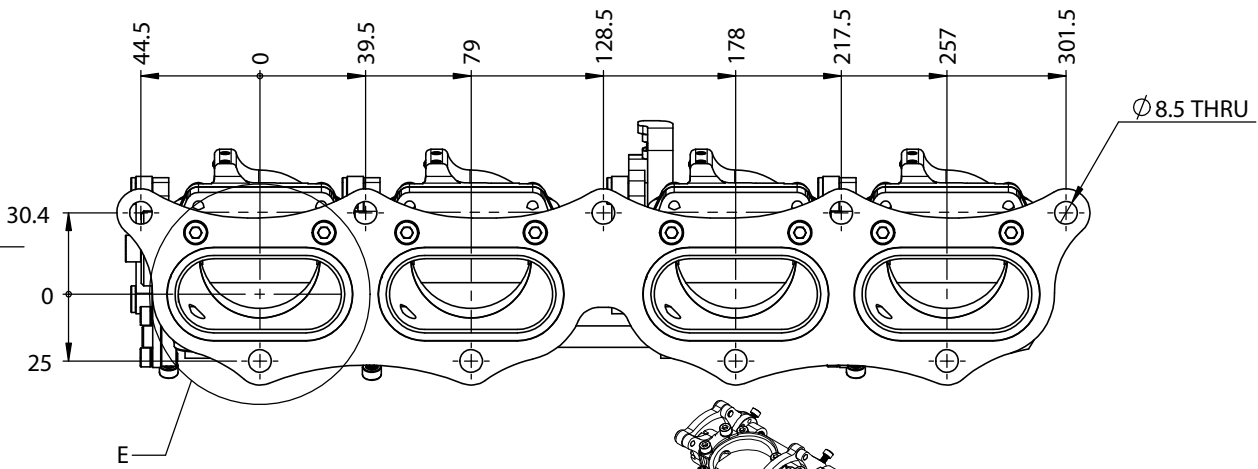
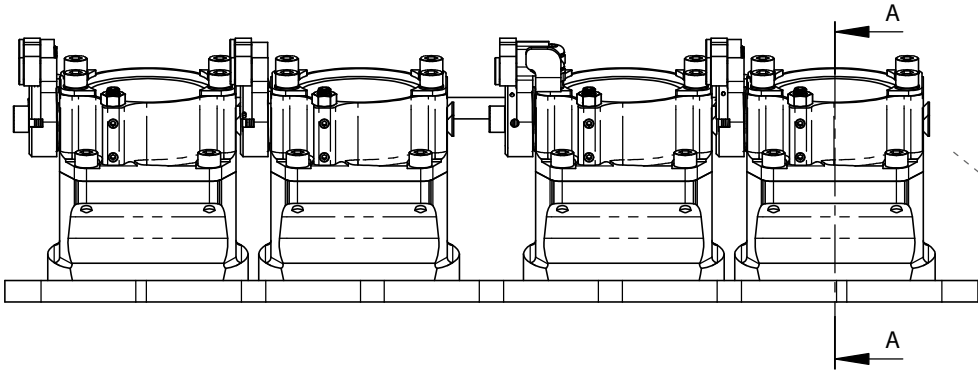
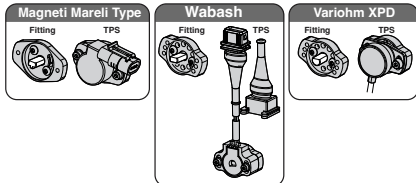
Available Trumpets:



Available Extension Lengths: Contact us for curved



Available Left Hand Side TPS Options



el power

S-CAN 3D Ltd
Bunns Bank Ind Est
Attleborough NR17 1QD

THIRD ANGLE PROJECTION

SCALE 1:2 WEIGHT 2.0 kg

DRAWN- S.HOW

DATE- 18/05/22

CHECKED - S.HOW

APPROVED - S.HOW

UNLESS OTHERWISE STATED:
DIMENSIONS IN MILLIMETRES
TOLERANCES: LINEAR ±0.1 ANGULAR ±0.5°
SURFACE FINISH √ = √
DRAWING STANDARDS TO ATQS 6003
DATE FORMAT: DD/MM/YY

THIS DESIGN IS THE PROPERTY OF
S-CAN 3D LTD AND MUST NOT BE
REPRODUCED OR COMMUNICATED
WITHOUT AUTHORITY

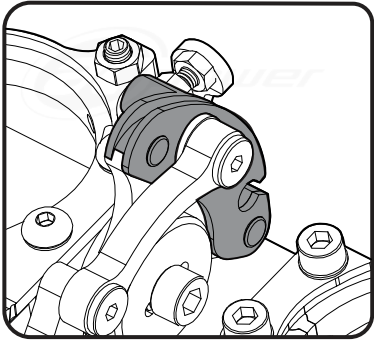
CAD PLOT
DO NOT
SCALE

MATERIAL		SEE COMPONENT PARTS
FINISH		SEE COMPONENT PARTS
DRAWING TITLE		ASSY-HOUSING-UNIVERSAL- RENAULT-F7R-CLIO WILLIAMS-ALI EXT - DBW
DRAWING NUMBER		102-109-00082

Select Cable Pull or Drive-By-Wire

Cable Pull Linkage

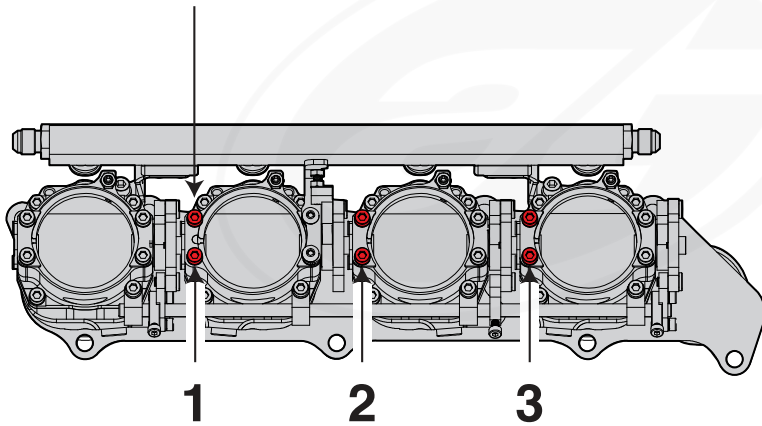
All Linkage suitable for AT Power's 3m Motorsport Throttle Nipple Cable (Sold Separately)



DBW (Drive-By-Wire) Actuator Mounting:

If you have selected DBW, in the drop down box please advise

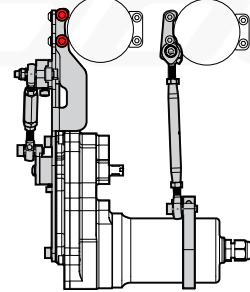
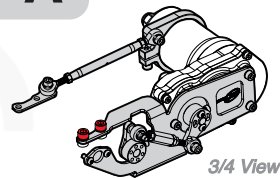
Mounting Bracketry Position (mounted red on red)



Then Select mounting Bracket Type Required:

Straight Right Facing

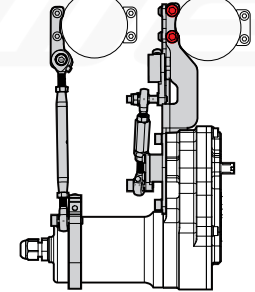
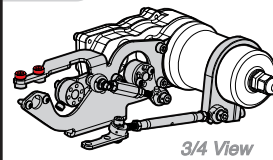
A



Top View

Straight Left Facing

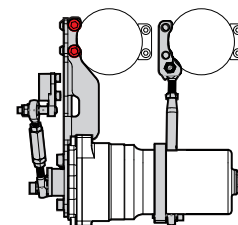
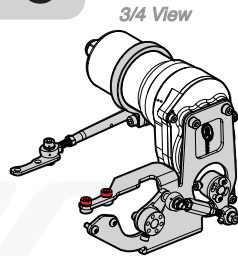
B



Top View

90° Right Facing

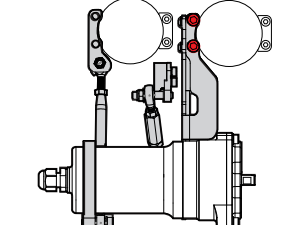
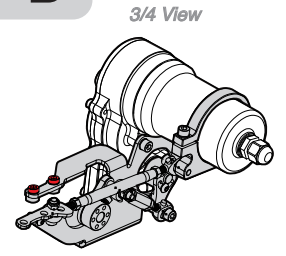
C



Top View

90° Left Facing

D



Top View

Ensure sizes fit in engine DBW Actuator bracketry technical drawings on next page

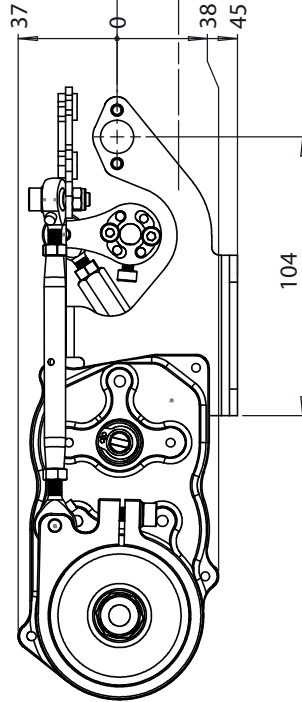
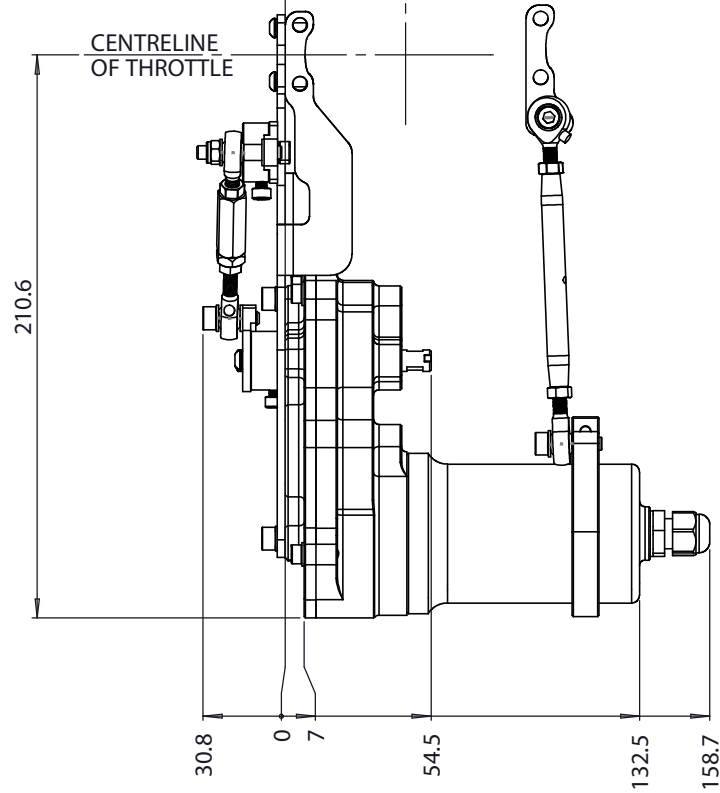
SIDE OF THROTTLE

CENTRELINE OF THROTTLE

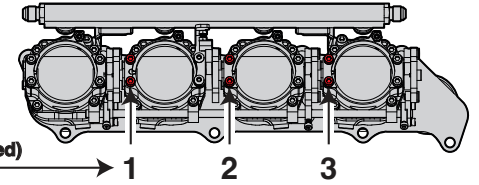
DIM 'A'

CENTRELINE OF THROTTLE

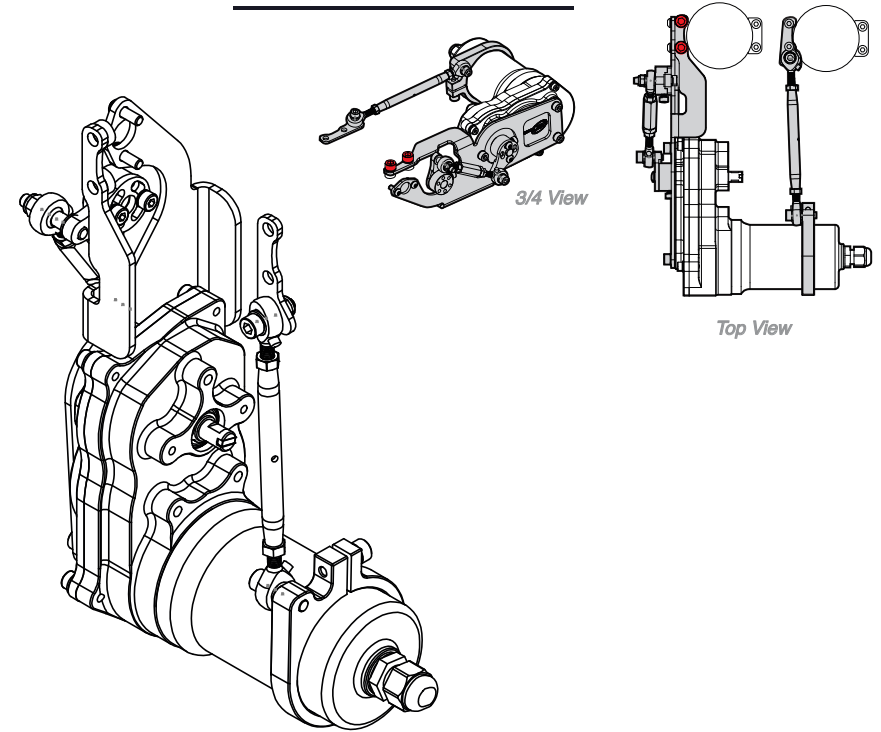
TO BASE OF THROTTLE 23
 ROUND NON-INJECTED THROTTLES THIS DIMENSION IS 17mm



Select Mounting Bracketry Position (mounted red on red)



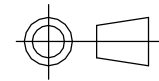
MOUNT 'A'



DIMENSION 'A'		
THROTTLE SIZE	ROUND THROTTLE	OVAL THROTTLE
36	22.5	N/A
38	23.5	25.5
40	24.5	26.5
42	25.5	28.5
45	27	29.5
48	29	32
50	30	33.5
52	31	35.5
55	32.5	36.5



S-CAN 3D Ltd
 Bunn's Bank Ind Est
 Attleborough NR17 1QD



THIRD ANGLE PROJECTION
 SCALE 1:2 WEIGHT 1.4 kg

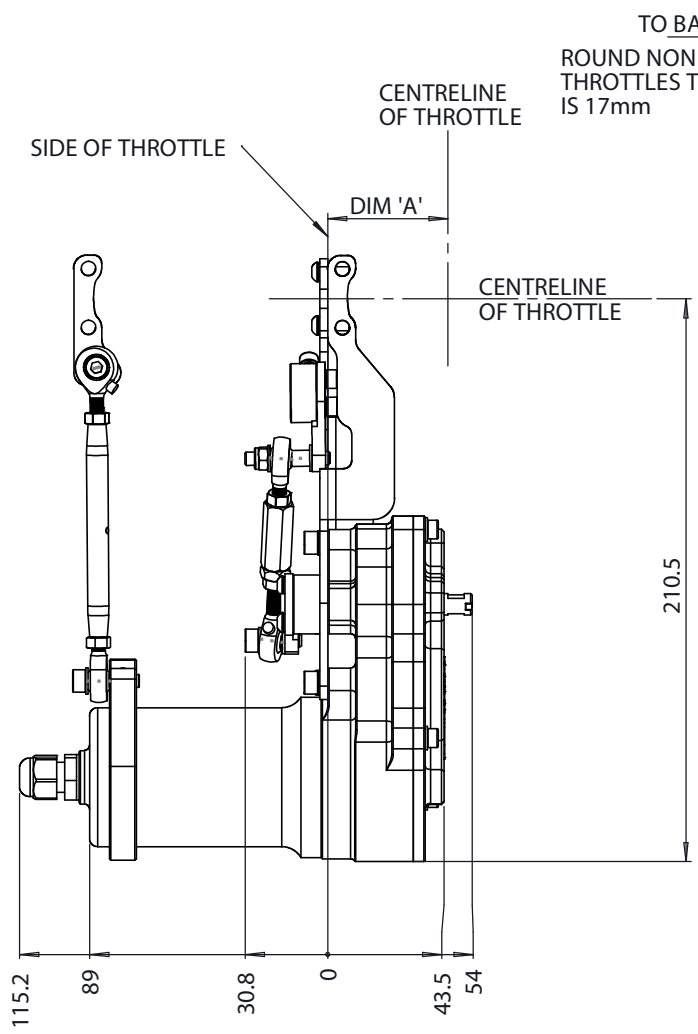
UNLESS OTHERWISE STATED:
 DIMENSIONS IN MILLIMETRES
 TOLERANCES: LINEAR ±0.1 ANGULAR ±0.5°
 SURFACE FINISH ✓ = ✓
 DRAWING STANDARDS TO ATQS 6003
 DATE FORMAT: DD/MM/YY

THIS DESIGN IS THE PROPERTY OF S-CAN 3D LTD AND MUST NOT BE REPRODUCED OR COMMUNICATED WITHOUT AUTHORITY

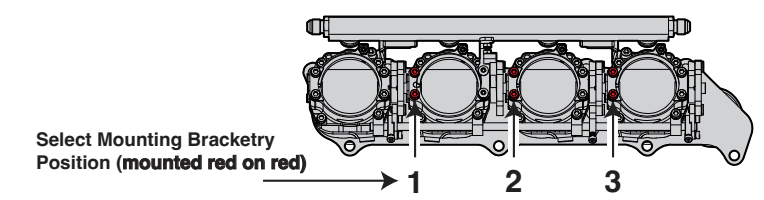
CAD PLOT DO NOT SCALE

DRAWN- S.HOW
 DATE- 22/11/24
 CHECKED- S.HOW
 APPROVED- S.HOW

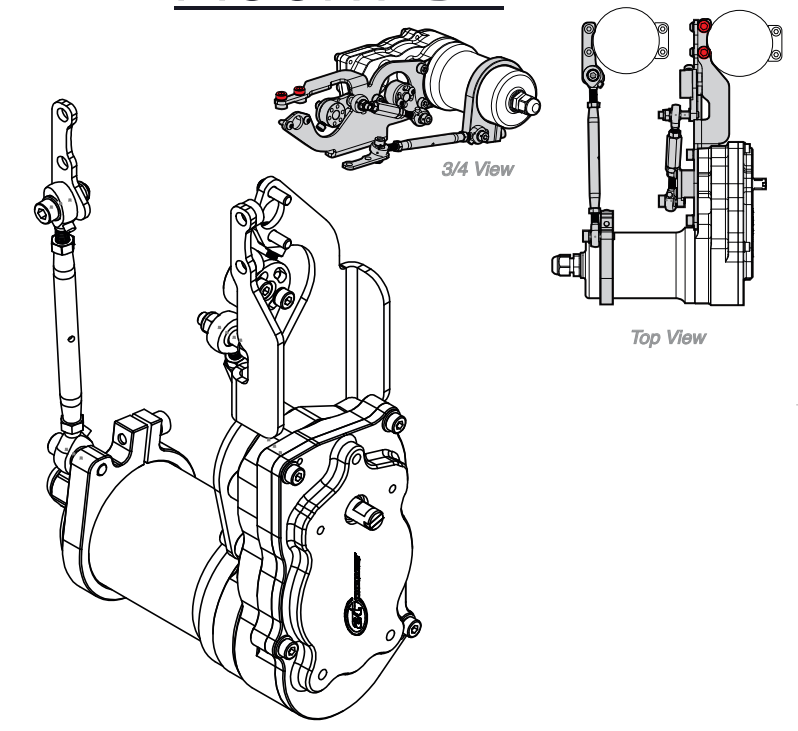
MATERIAL	SEE COMPONENT PARTS
FINISH	SEE COMPONENT PARTS
DRAWING TITLE	ASSY - DBW ACTUATOR KIT - CENTRAL MOUNT UNIVERSAL THROTTLES - RH
DRAWING NUMBER	102-106-00061



TO BASE OF THROTTLE 23
 ROUND NON -INJECTED THROTTLES THIS DIMENSION IS 17mm



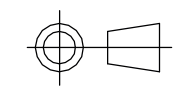
MOUNT 'B'



DIMENSION 'A'		
THROTTLE SIZE	ROUND THROTTLE	OVAL THROTTLE
36	22.5	N/A
38	23.5	25.5
40	24.5	26.5
42	25.5	28.5
45	27	29.5
48	29	32
50	30	33.5
52	31	35.5
55	32.5	36.5



S-CAN 3D Ltd
 Bunn's Bank Ind Est
 Attleborough NR17 1QD



SCALE 1:2 WEIGHT 1.3 kg

DRAWN- S.HOW

DATE- 22/11/24

CHECKED - S.HOW

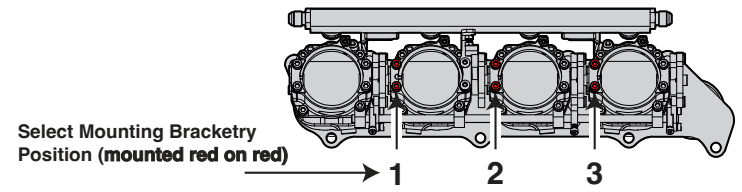
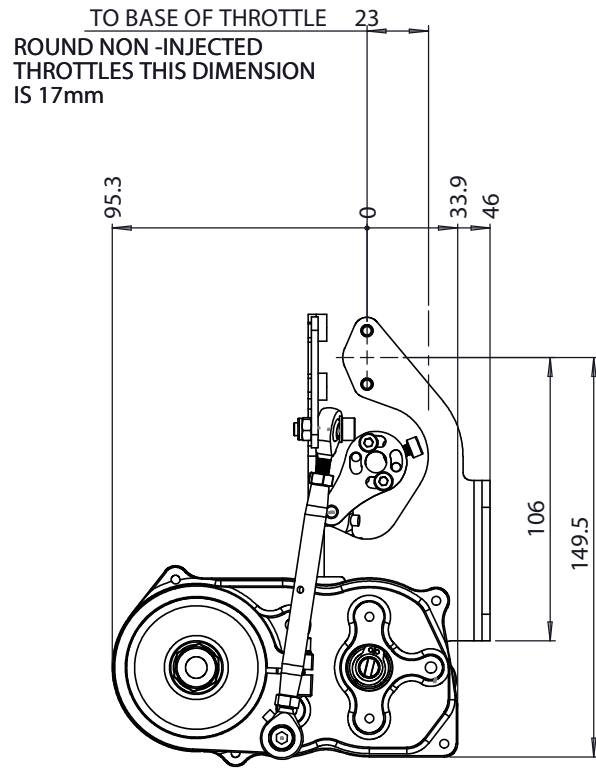
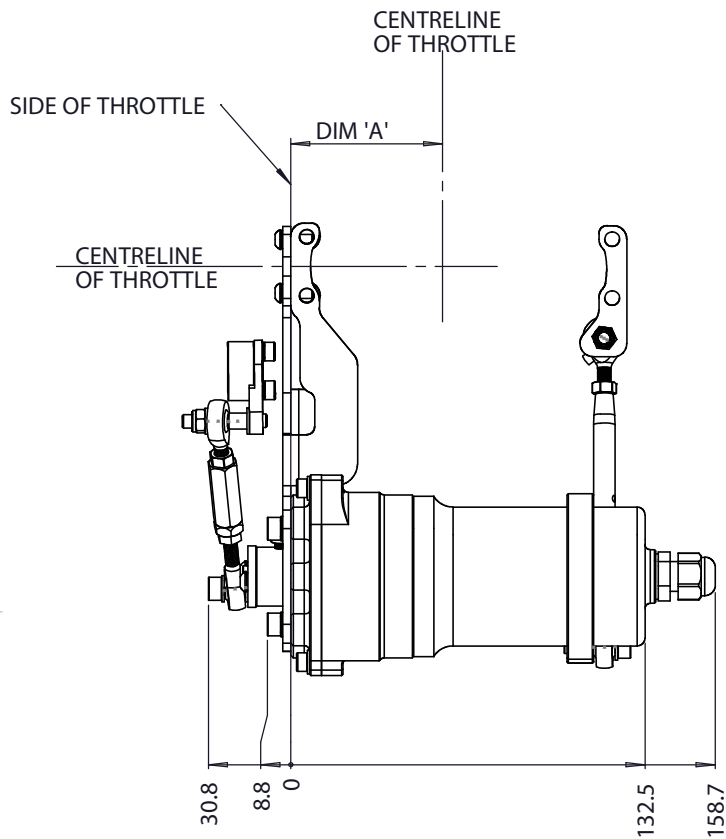
APPROVED - A.CLIFTON

UNLESS OTHERWISE STATED:
 DIMENSIONS IN MILLIMETRES
 TOLERANCES: LINEAR ±0.1 ANGULAR ±0.5°
 SURFACE FINISH √ = √
 DRAWING STANDARDS TO ATQS 6003
 DATE FORMAT: DD/MM/YY

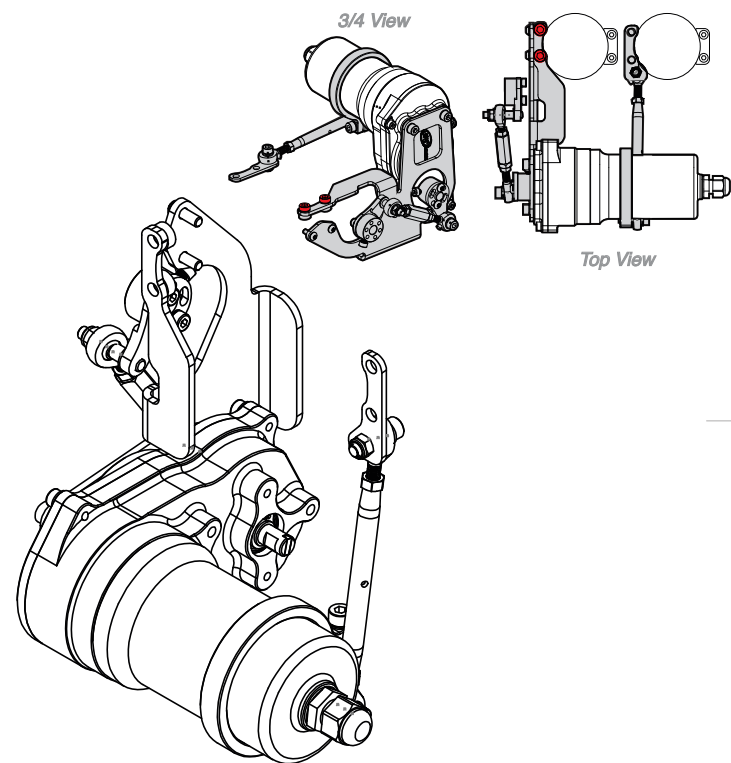
THIS DESIGN IS THE PROPERTY OF S-CAN 3D LTD AND MUST NOT BE REPRODUCED OR COMMUNICATED WITHOUT AUTHORITY

CAD PLOT DO NOT SCALE

MATERIAL	SEE COMPONENT PARTS
FINISH	SEE COMPONENT PARTS
DRAWING TITLE	ASSY - DBW ACTUATOR KIT - CENTRAL MOUNT UNIVERSAL THROTTLES - LH
DRAWING NUMBER	102-106-00062



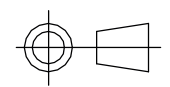
MOUNT 'C'



DIMENSION 'A'		
THROTTLE SIZE	ROUND THROTTLE	OVAL THROTTLE
36	22.5	N/A
38	23.5	25.5
40	24.5	26.5
42	25.5	28.5
45	27	29.5
48	29	32
50	30	33.5
52	31	35.5
55	32.5	36.5



S-CAN 3D Ltd
Bunns Bank Ind Est
Attleborough NR17 1QD



THIRD ANGLE PROJECTION

SCALE 1:2 WEIGHT 1.4 kg

DRAWN- S.HOW

DATE- 22/11/24

CHECKED - S.HOW

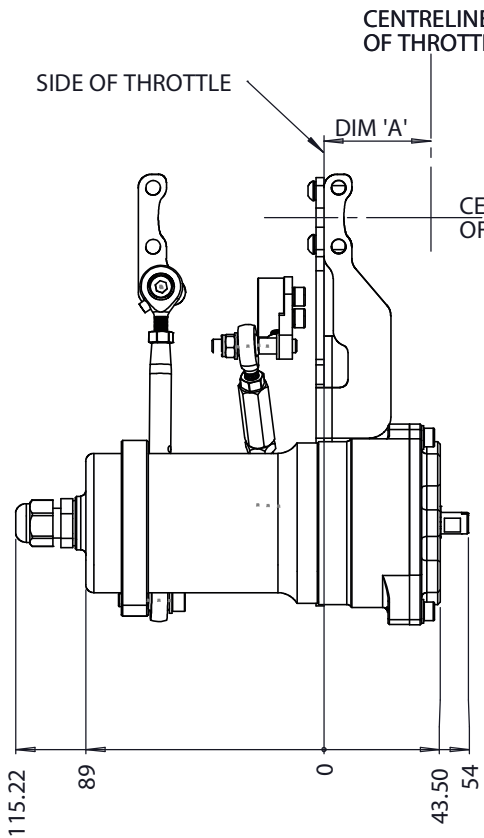
APPROVED - S.HOW

UNLESS OTHERWISE STATED:
DIMENSIONS IN MILLIMETRES
TOLERANCES: LINEAR ± 0.1 ANGULAR $\pm 0.5^\circ$
SURFACE FINISH $\checkmark = \checkmark$
DRAWING STANDARDS TO ATQS 6003
DATE FORMAT: DD/MM/YY

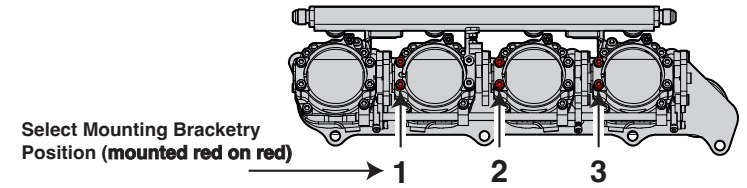
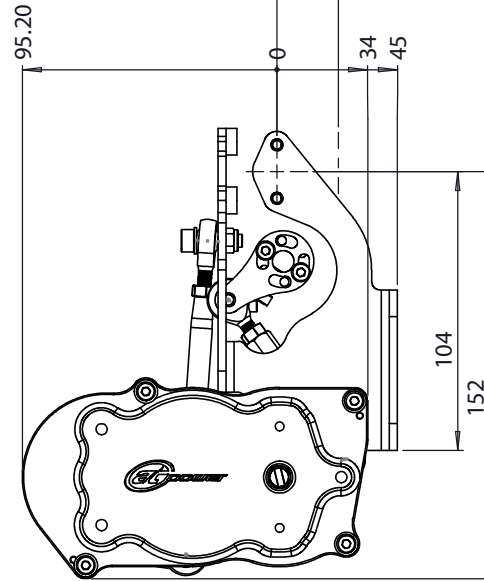
THIS DESIGN IS THE PROPERTY OF
S-CAN 3D LTD AND MUST NOT BE
REPRODUCED OR COMMUNICATED
WITHOUT AUTHORITY

CAD PLOT
DO NOT
SCALE

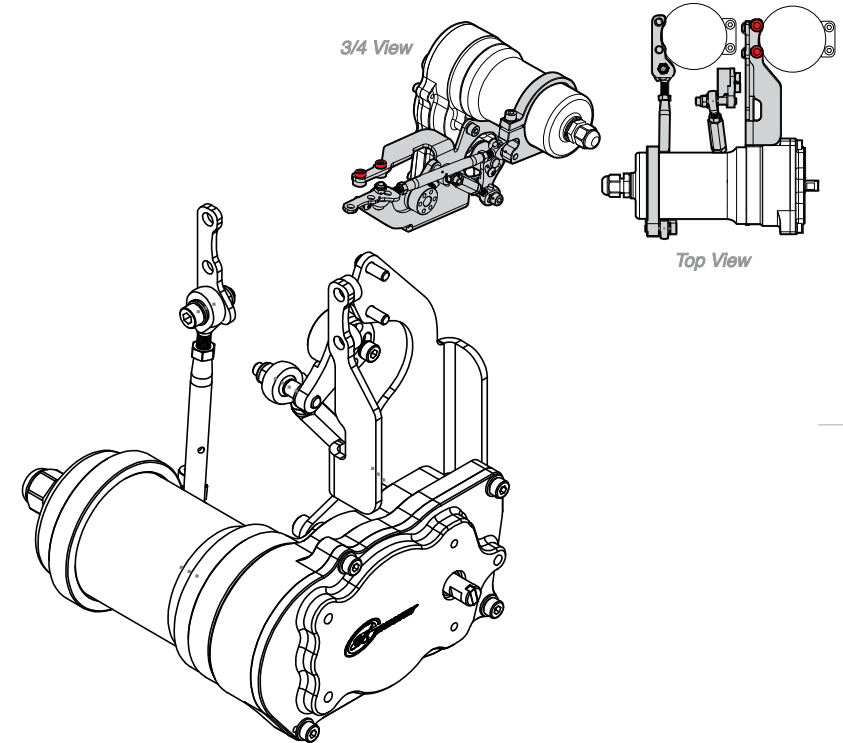
MATERIAL	SEE COMPONENT PARTS
FINISH	SEE COMPONENT PARTS
DRAWING TITLE	ASSY - DBW ACTUATOR KIT - CENTRAL MOUNT UNIVERSAL THROTTLES - RH @ 90 DEGREES
DRAWING NUMBER	102-106-00078



TO BASE OF THROTTLE 23
 ROUND NON -INJECTED
 THROTTLES THIS DIMENSION
 IS 17mm



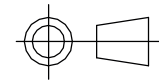
MOUNT 'D'



DIMENSION 'A'		
THROTTLE SIZE	ROUND THROTTLE	OVAL THROTTLE
36	22.5	N/A
38	23.5	25.5
40	24.5	26.5
42	25.5	28.5
45	27	29.5
48	29	32
50	30	33.5
52	31	35.5
55	32.5	36.5



S-CAN 3D Ltd
 Bunn's Bank Ind Est
 Attleborough NR17 1QD



THIRD ANGLE PROJECTION
 SCALE 1:2 WEIGHT 1.3 kg

DRAWN- S.HOW
 DATE- 22/11/24
 CHECKED - S.HOW
 APPROVED - S.HOW

UNLESS OTHERWISE STATED:
 DIMENSIONS IN MILLIMETRES
 TOLERANCES: LINEAR ±0.1 ANGULAR ±0.5°
 SURFACE FINISH ✓ = ✓
 DRAWING STANDARDS TO ATQS 6003
 DATE FORMAT: DD/MM/YY
 THIS DESIGN IS THE PROPERTY OF
 S-CAN 3D LTD AND MUST NOT BE
 REPRODUCED OR COMMUNICATED
 WITHOUT AUTHORITY

CAD PLOT
 DO NOT
 SCALE

MATERIAL	SEE COMPONENT PARTS
FINISH	SEE COMPONENT PARTS
DRAWING TITLE	ASSY - DBW ACTUATOR KIT - CENTRAL MOUNT UNIVERSAL THROTTLES - LH- 90 DEGREES
DRAWING NUMBER	102-106-00079