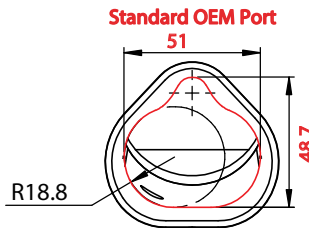
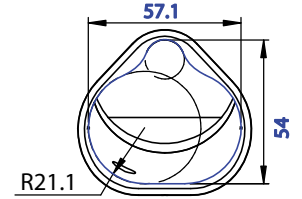


Available Engine Inlet:



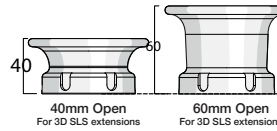
Ensure sizes fit in engine

Ported for Customised Cylinder Head



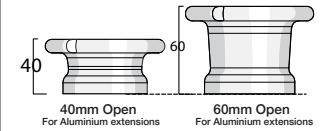
BOOSTED SETUP

Available **Boosted** Trumpets:

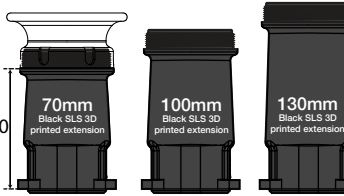


NA SETUP

Available **NA** Trumpets:



Available **Boosted** Extension Lengths:

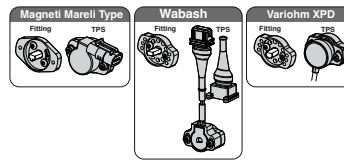


Available **NA** Extension Lengths:

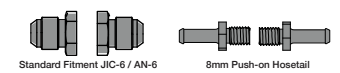


Contact us for curved

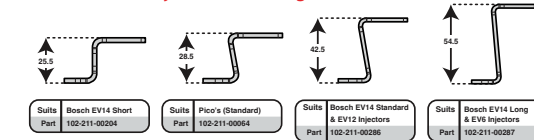
Available **TPS** Sides and **TPS** Options



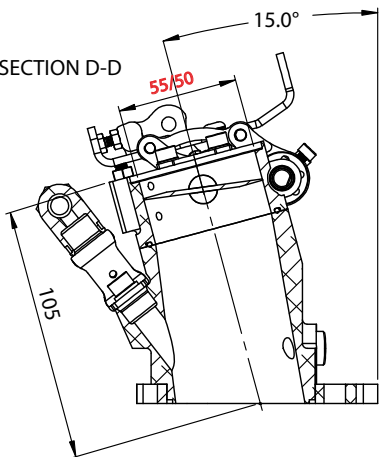
Available **Fuel Rail End Fittings**:



Available **Fuel Injector Mounting Brackets**:



SECTION D-D

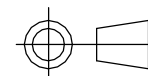


S-CAN 3D Ltd
Bunns Bank Ind Est
Attleborough NR17 1QD

UNLESS OTHERWISE STATED:
DIMENSIONS IN MILLIMETRES
TOLERANCES: LINEAR ± 0.1 ANGULAR $\pm 0.5^\circ$
SURFACE FINISH $\sqrt{=}$ $\sqrt{=}$
DRAWING STANDARDS TO ATQS 6003
DATE FORMAT: DD/MM/YY

THIS DESIGN IS THE PROPERTY OF
S-CAN 3D LTD AND MUST NOT BE
REPRODUCED OR COMMUNICATED
WITHOUT AUTHORITY

CAD PLOT
DO NOT
SCALE



THIRD ANGLE PROJECTION

SCALE 1:2 WEIGHT 3.3 kg

DRAWN- S.HOW

DATE- 12/12/18

CHECKED- S.HOW

APPROVED- A.CLIFTON

MATERIAL

SEE COMPONENT PARTS

FINISH

SEE COMPONENT PARTS

DRAWING TITLE

ASSY - HOUSING - UNIVERSAL -
HONDA - K20 - FD2 - 50MM -
PORTED - ALI EXT - CABLE

DRAWING NUMBER

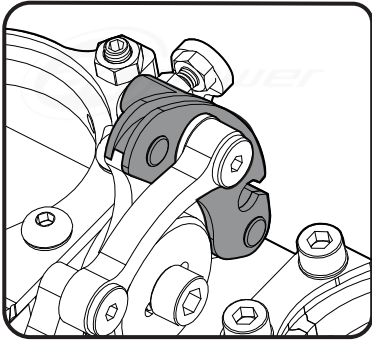
102-109-00038

SHEET 2 OF 2 A3

Select Cable Pull or Drive-By-Wire

Cable Pull Linkage

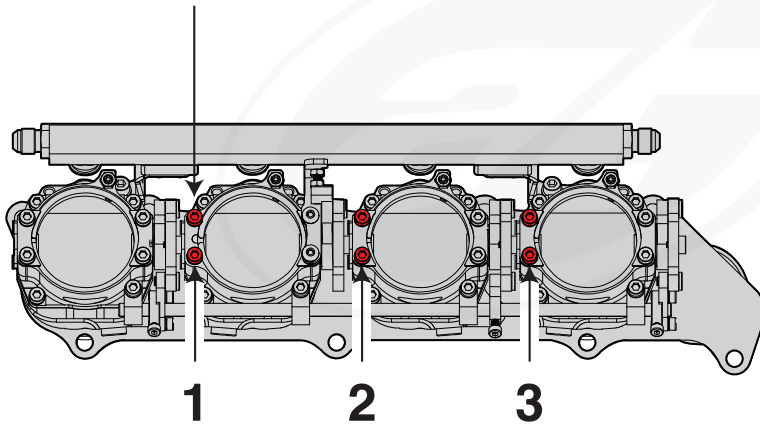
All Linkage suitable for AT Power's 3m Motorsport Throttle Nipple Cable (Sold Separately)



DBW (Drive-By-Wire) Actuator Mounting:

If you have selected DBW, in the drop down box please advise

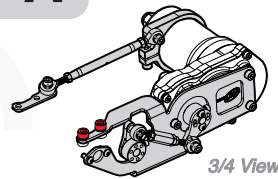
Mounting Bracketry Position (mounted red on red)



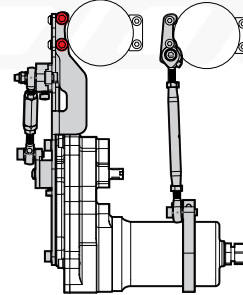
Then Select mounting Bracket Type Required:

Straight Right Facing

A



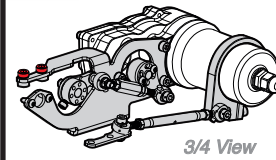
3/4 View



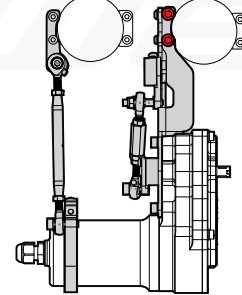
Top View

Straight Left Facing

B



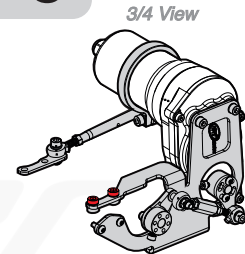
3/4 View



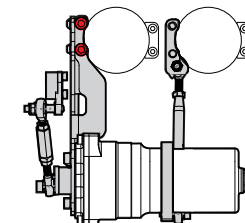
Top View

90° Right Facing

C



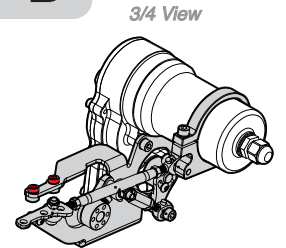
3/4 View



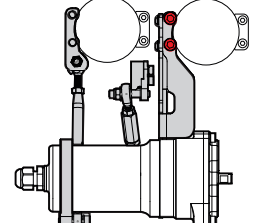
Top View

90° Left Facing

D



3/4 View



Top View

Ensure sizes fit in engine DBW Actuator bracketry technical drawings on next page

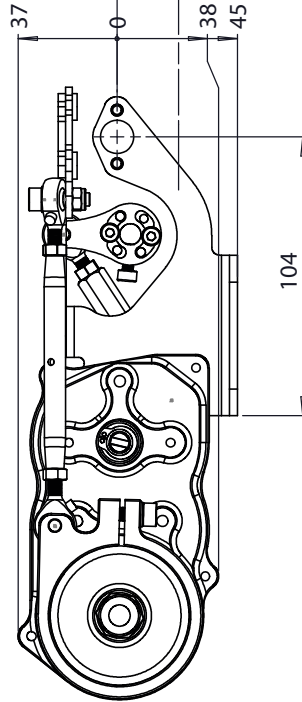
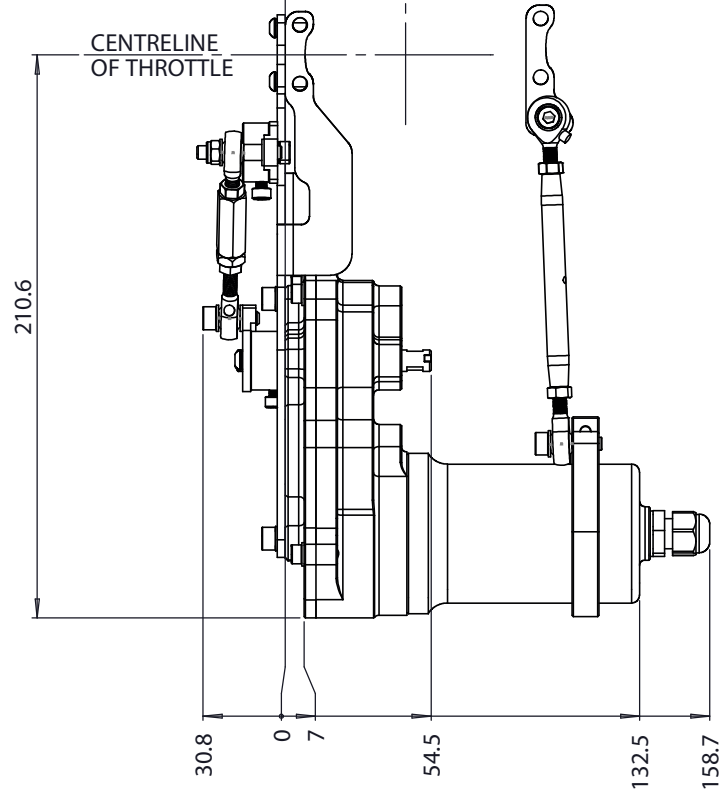
SIDE OF THROTTLE

CENTRELINE OF THROTTLE

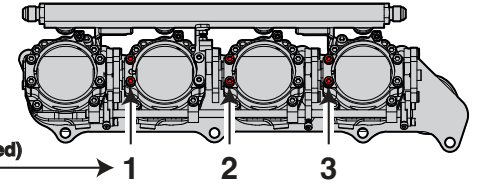
DIM 'A'

CENTRELINE OF THROTTLE

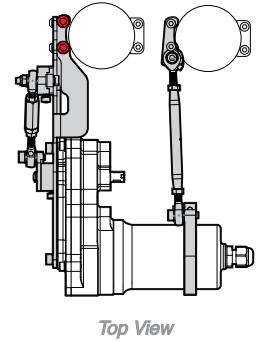
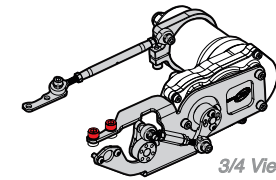
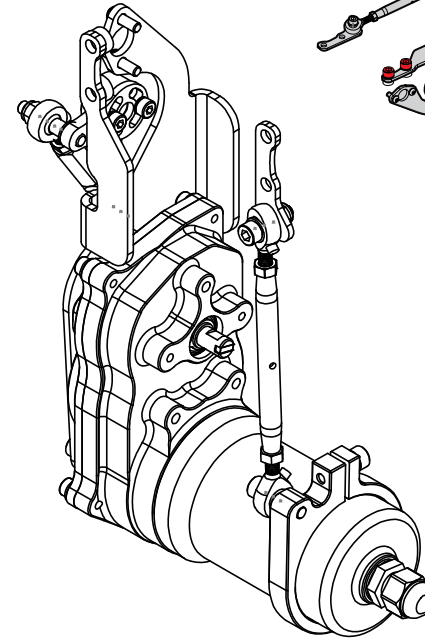
TO BASE OF THROTTLE 23
 ROUND NON-INJECTED THROTTLES THIS DIMENSION IS 17mm



Select Mounting Bracketry Position (mounted red on red)



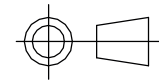
MOUNT 'A'



DIMENSION 'A'		
THROTTLE SIZE	ROUND THROTTLE	OVAL THROTTLE
36	22.5	N/A
38	23.5	25.5
40	24.5	26.5
42	25.5	28.5
45	27	29.5
48	29	32
50	30	33.5
52	31	35.5
55	32.5	36.5



S-CAN 3D Ltd
 Bunn's Bank Ind Est
 Attleborough NR17 1QD



THIRD ANGLE PROJECTION
 SCALE 1:2 WEIGHT 1.4 kg

DRAWN- S.HOW

DATE- 22/11/24

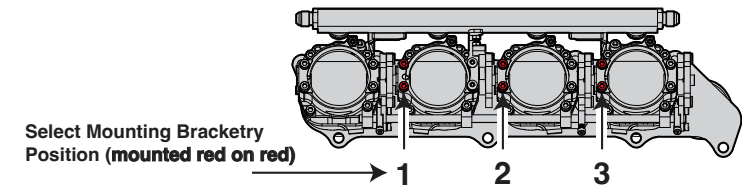
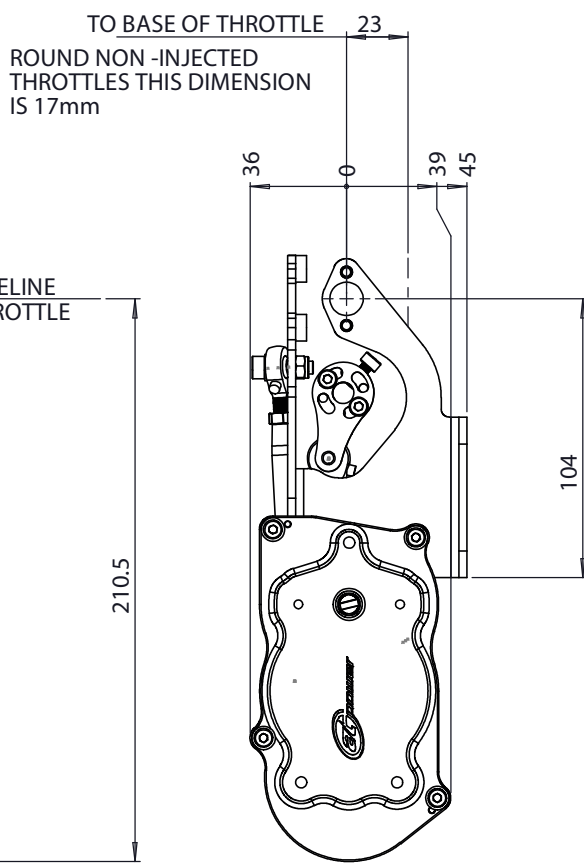
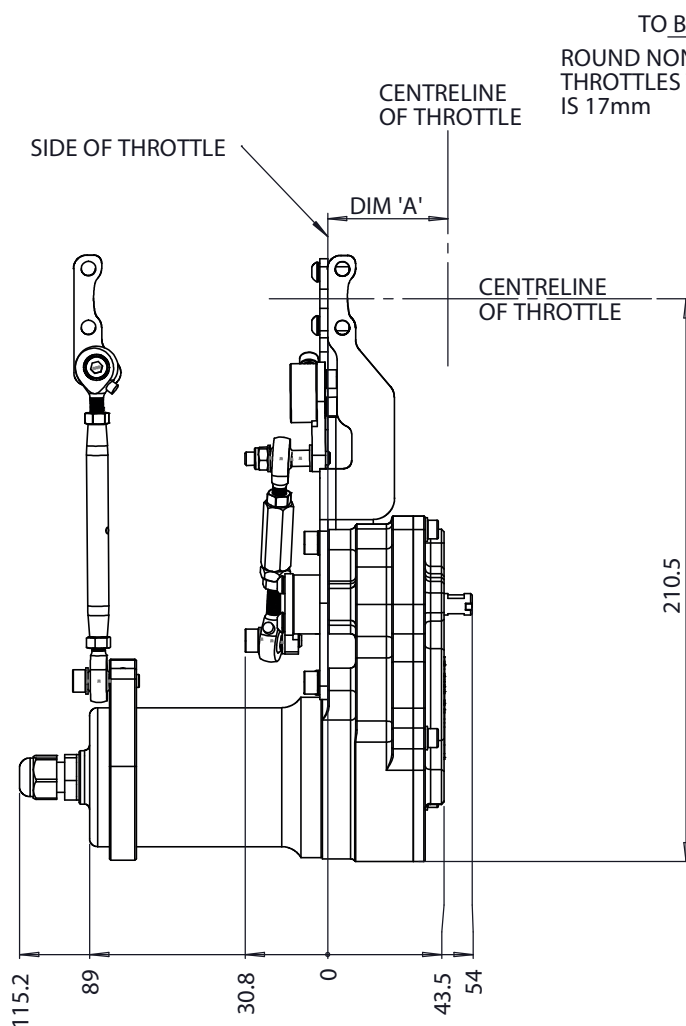
CHECKED- S.HOW

APPROVED- S.HOW

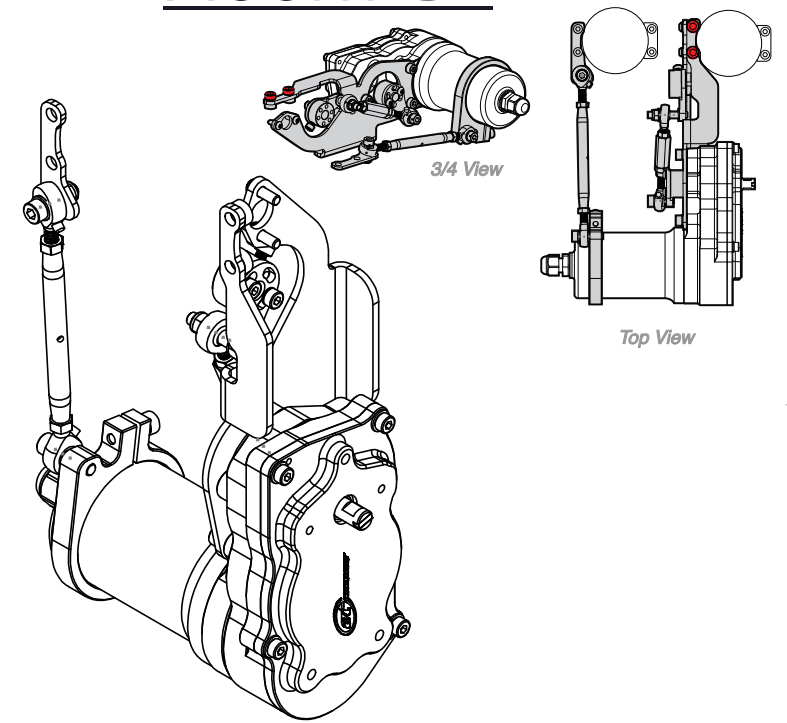
UNLESS OTHERWISE STATED:
 DIMENSIONS IN MILLIMETRES
 TOLERANCES: LINEAR ±0.1 ANGULAR ±0.5°
 SURFACE FINISH √ = √
 DRAWING STANDARDS TO ATQS 6003
 DATE FORMAT: DD/MM/YY
 THIS DESIGN IS THE PROPERTY OF
 S-CAN 3D LTD AND MUST NOT BE
 REPRODUCED OR COMMUNICATED
 WITHOUT AUTHORITY

CAD PLOT
 DO NOT
 SCALE

MATERIAL	SEE COMPONENT PARTS
FINISH	SEE COMPONENT PARTS
DRAWING TITLE	ASSY - DBW ACTUATOR KIT - CENTRAL MOUNT UNIVERSAL THROTTLES - RH
DRAWING NUMBER	102-106-00061



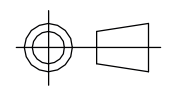
MOUNT 'B'



DIMENSION 'A'		
THROTTLE SIZE	ROUND THROTTLE	OVAL THROTTLE
36	22.5	N/A
38	23.5	25.5
40	24.5	26.5
42	25.5	28.5
45	27	29.5
48	29	32
50	30	33.5
52	31	35.5
55	32.5	36.5



S-CAN 3D Ltd
Bunns Bank Ind Est
Attleborough NR17 1QD



THIRD ANGLE PROJECTION

SCALE 1:2 WEIGHT 1.3 kg

DRAWN- S.HOW

DATE- 22/11/24

CHECKED - S.HOW

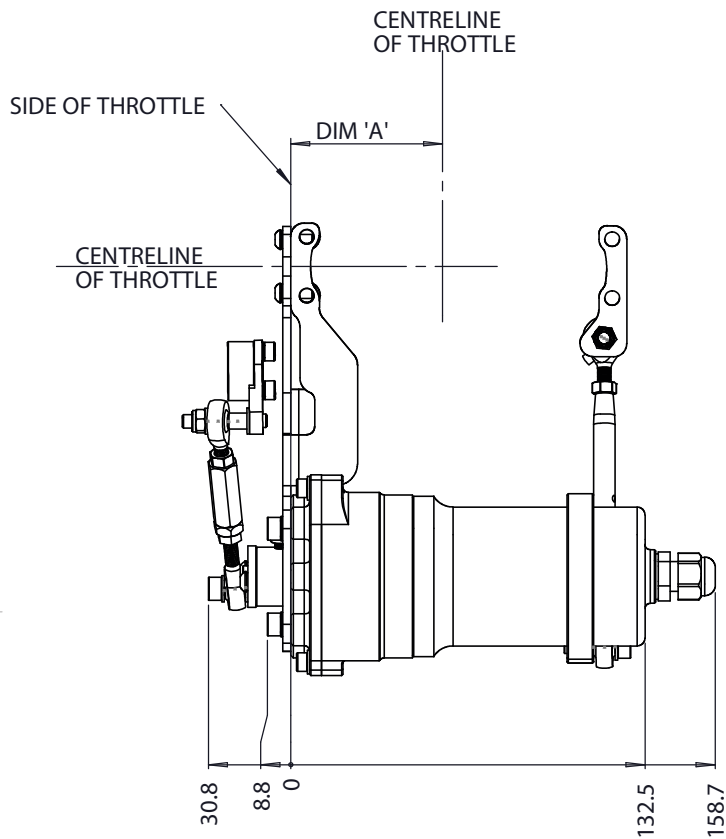
APPROVED - A.CLIFTON

UNLESS OTHERWISE STATED:
DIMENSIONS IN MILLIMETRES
TOLERANCES: LINEAR ±0.1 ANGULAR ±0.5°
SURFACE FINISH √ = √
DRAWING STANDARDS TO ATQS 6003
DATE FORMAT: DD/MM/YY

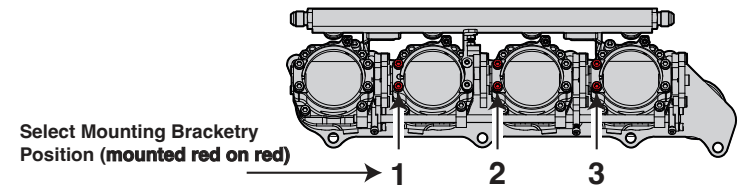
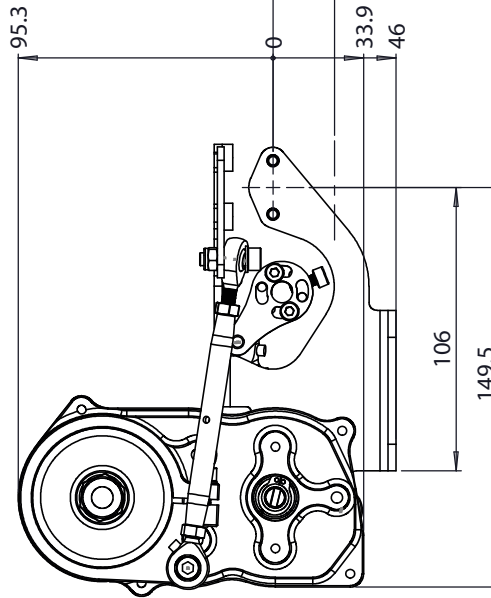
THIS DESIGN IS THE PROPERTY OF S-CAN 3D LTD AND MUST NOT BE REPRODUCED OR COMMUNICATED WITHOUT AUTHORITY

CAD PLOT DO NOT SCALE

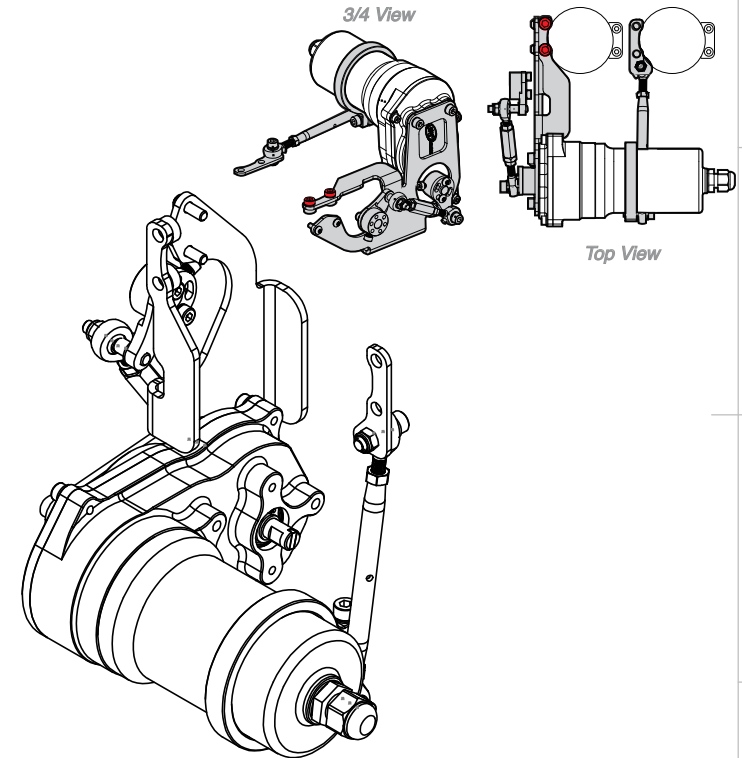
MATERIAL	SEE COMPONENT PARTS
FINISH	SEE COMPONENT PARTS
DRAWING TITLE	ASSY - DBW ACTUATOR KIT - CENTRAL MOUNT UNIVERSAL THROTTLES - LH
DRAWING NUMBER	102-106-00062



TO BASE OF THROTTLE 23
 ROUND NON -INJECTED THROTTLES THIS DIMENSION IS 17mm



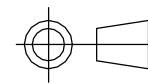
MOUNT 'C'



DIMENSION 'A'		
THROTTLE SIZE	ROUND THROTTLE	OVAL THROTTLE
36	22.5	N/A
38	23.5	25.5
40	24.5	26.5
42	25.5	28.5
45	27	29.5
48	29	32
50	30	33.5
52	31	35.5
55	32.5	36.5



S-CAN 3D Ltd
 Bunn's Bank Ind Est
 Attleborough NR17 1QD



THIRD ANGLE PROJECTION

SCALE 1:2 WEIGHT 1.4 kg

DRAWN- S.HOW

DATE- 22/11/24

CHECKED - S.HOW

APPROVED - S.HOW

UNLESS OTHERWISE STATED:
 DIMENSIONS IN MILLIMETRES
 TOLERANCES: LINEAR ±0.1 ANGULAR ±0.5°
 SURFACE FINISH ✓ = ✓
 DRAWING STANDARDS TO ATQS 6003
 DATE FORMAT: DD/MM/YY

THIS DESIGN IS THE PROPERTY OF S-CAN 3D LTD AND MUST NOT BE REPRODUCED OR COMMUNICATED WITHOUT AUTHORITY

CAD PLOT DO NOT SCALE

MATERIAL

SEE COMPONENT PARTS

FINISH

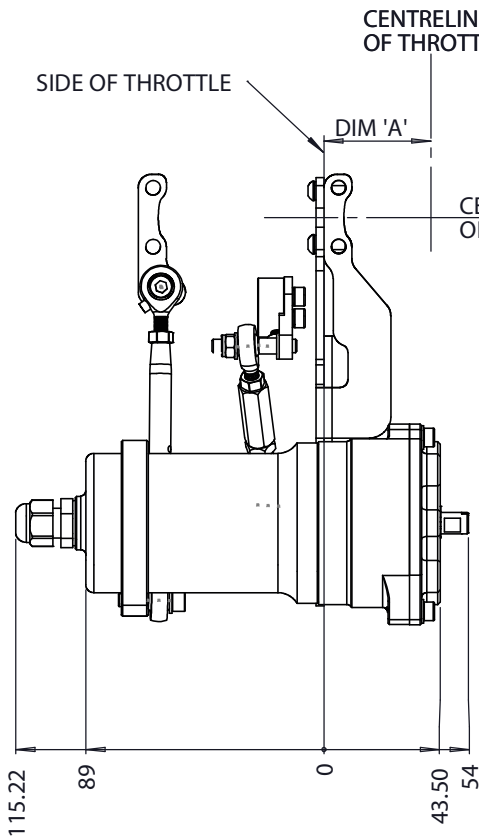
SEE COMPONENT PARTS

DRAWING TITLE

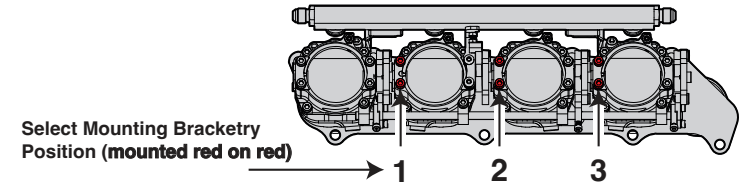
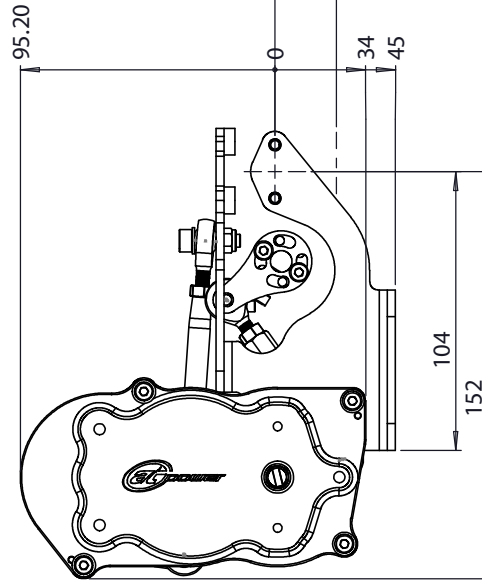
ASSY - DBW ACTUATOR KIT - CENTRAL MOUNT UNIVERSAL THROTTLES - RH @ 90 DEGREES

DRAWING NUMBER

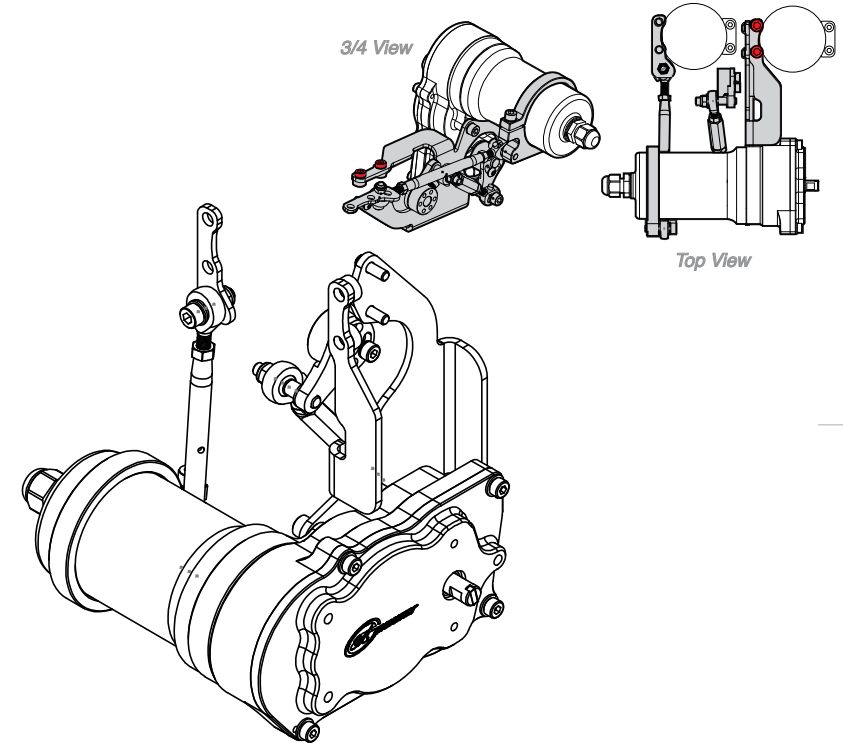
102-106-00078



TO BASE OF THROTTLE 23
 ROUND NON -INJECTED
 THROTTLES THIS DIMENSION
 IS 17mm



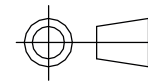
MOUNT 'D'



DIMENSION 'A'		
THROTTLE SIZE	ROUND THROTTLE	OVAL THROTTLE
36	22.5	N/A
38	23.5	25.5
40	24.5	26.5
42	25.5	28.5
45	27	29.5
48	29	32
50	30	33.5
52	31	35.5
55	32.5	36.5



S-CAN 3D Ltd
 Bunn's Bank Ind Est
 Attleborough NR17 1QD



THIRD ANGLE PROJECTION

SCALE 1:2 WEIGHT 1.3 kg

DRAWN- S.HOW

DATE- 22/11/24

CHECKED - S.HOW

APPROVED - S.HOW

UNLESS OTHERWISE STATED:
 DIMENSIONS IN MILLIMETRES
 TOLERANCES: LINEAR ± 0.1 ANGULAR $\pm 0.5^\circ$
 SURFACE FINISH $\sqrt{\quad} = \checkmark$
 DRAWING STANDARDS TO ATQS 6003
 DATE FORMAT: DD/MM/YY

THIS DESIGN IS THE PROPERTY OF
 S-CAN 3D LTD AND MUST NOT BE
 REPRODUCED OR COMMUNICATED
 WITHOUT AUTHORITY

CAD PLOT
 DO NOT
 SCALE

MATERIAL

SEE COMPONENT PARTS

FINISH

SEE COMPONENT PARTS

DRAWING TITLE

ASSY - DBW ACTUATOR KIT -
 CENTRAL MOUNT UNIVERSAL
 THROTTLES - LH- 90 DEGREES

DRAWING NUMBER

102-106-00079