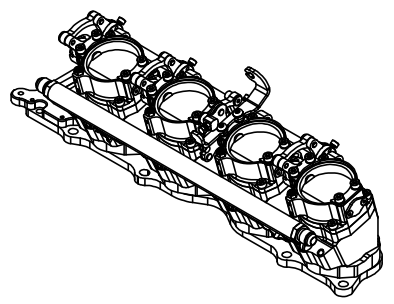
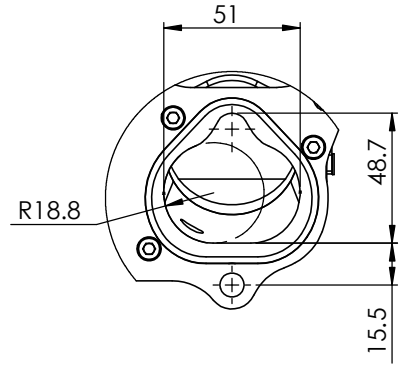
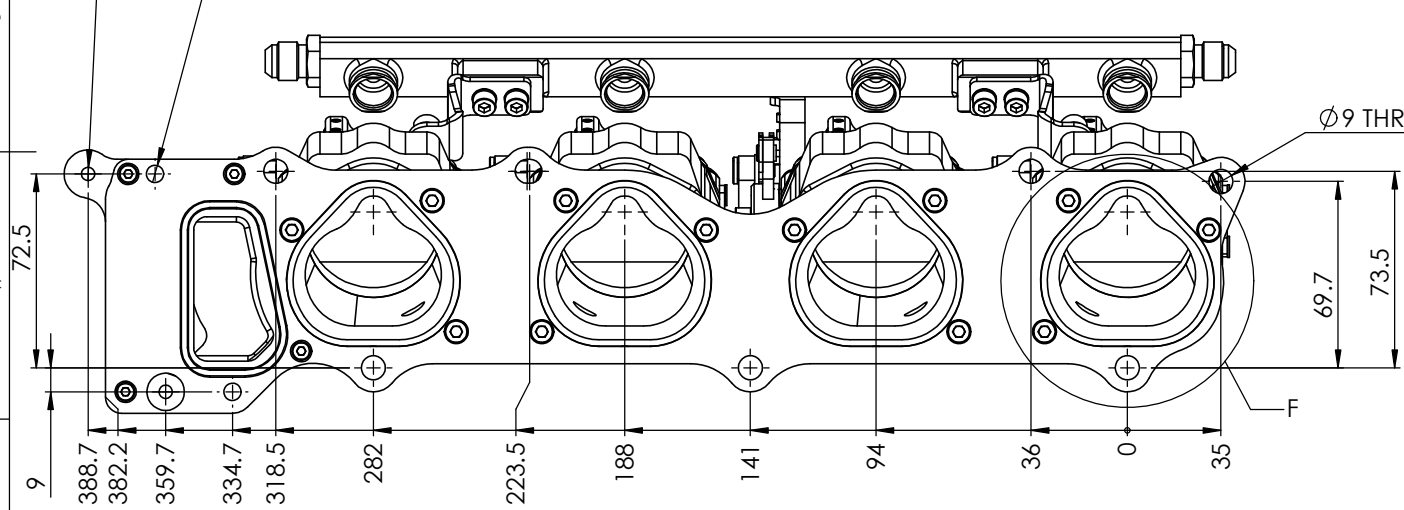


2 x ϕ 5 THRU ALL
M6x1.0 - 6H THRU ALL

ϕ 6.5 THRU

ϕ 9 THRU



S-CAN 3D Ltd
Bunns Bank Ind Est
Attleborough NR17 1QD

THIRD ANGLE PROJECTION
SCALE 1:2
WEIGHT 3.6 kg

MATERIAL	SEE COMPONENT PARTS
FINISH	SEE COMPONENT PARTS
DRAWING TITLE	ASSY - HOUSING - UNIVERSAL - HONDA - K20 - DC5 - 50MM- STD PORT - ALI EXT -CABLE
DRAWING NUMBER	102-109-00049

UNLESS OTHERWISE STATED:
DIMENSIONS IN MILLIMETRES
TOLERANCES: LINEAR ± 0.1 ANGULAR $\pm 0.5^\circ$
SURFACE FINISH $\sqrt{\text{V}}$ = $\sqrt{\text{V}}$
DRAWING STANDARDS TO ATQS 6003
DATE FORMAT: DD/MM/YY

THIS DESIGN IS THE PROPERTY OF
S-CAN 3D LTD AND MUST NOT BE
REPRODUCED OR COMMUNICATED
WITHOUT AUTHORITY

CAD PLOT
DO NOT
SCALE

DRAWN -	S.HOW
DATE -	04/03/20
CHECKED -	S.HOW
APPROVED -	A.CLIFTON