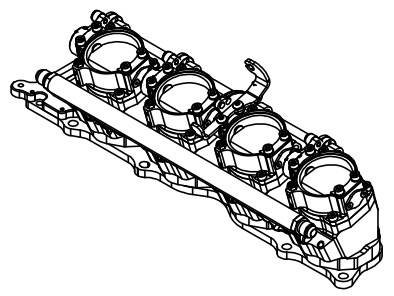
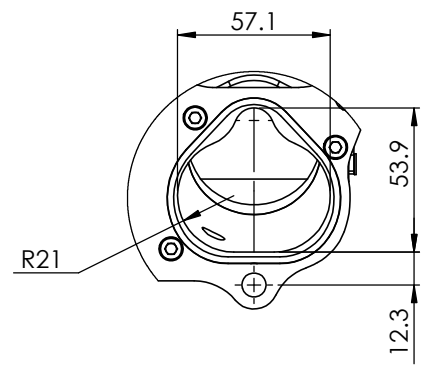
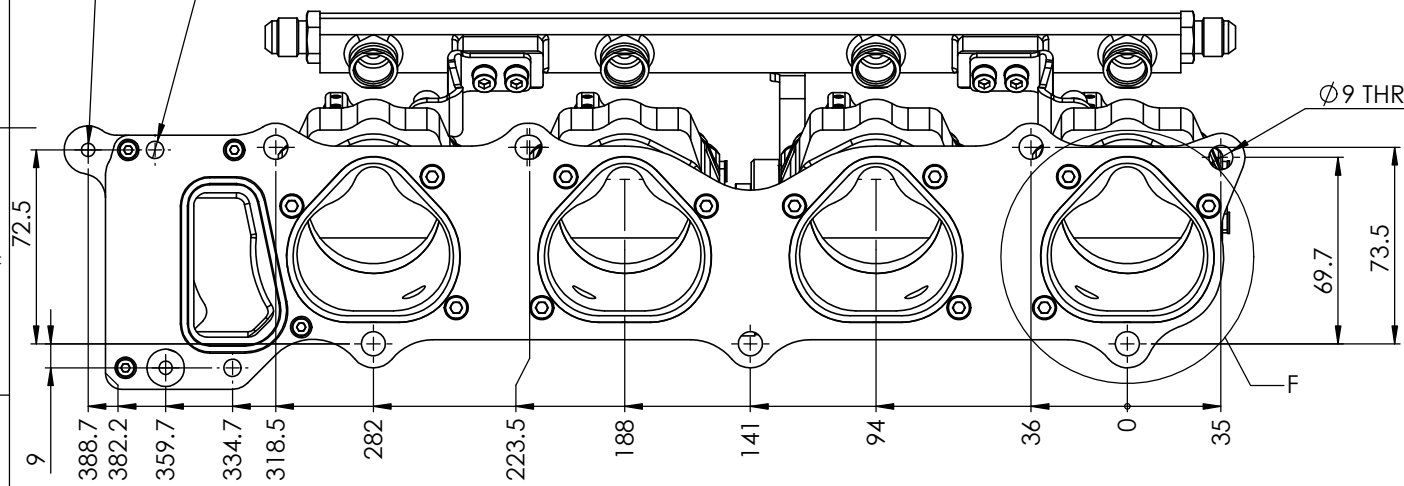


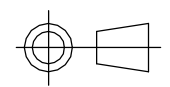
2 x  $\phi 5$  THRU ALL  
M6x1.0 - 6H THRU ALL

$\phi 6.5$  THRU

$\phi 9$  THRU



S-CAN 3D Ltd  
Bunns Bank Ind Est  
Attleborough NR17 1QD



THIRD ANGLE PROJECTION

SCALE 1:2 WEIGHT 3.4 kg

DRAWN - S.HOW

DATE - 04/03/20

CHECKED - S.HOW

APPROVED - A.CLIFTON

UNLESS OTHERWISE STATED:  
DIMENSIONS IN MILLIMETRES  
TOLERANCES: LINEAR  $\pm 0.1$  ANGULAR  $\pm 0.5^\circ$   
SURFACE FINISH  $\sqrt{\text{V}}$  =  $\sqrt{\text{V}}$   
DRAWING STANDARDS TO ATQS 6003  
DATE FORMAT: DD/MM/YY

THIS DESIGN IS THE PROPERTY OF  
S-CAN 3D LTD AND MUST NOT BE  
REPRODUCED OR COMMUNICATED  
WITHOUT AUTHORITY

CAD PLOT  
DO NOT  
SCALE

MATERIAL	SEE COMPONENT PARTS
FINISH	SEE COMPONENT PARTS
DRAWING TITLE	ASSY - HOUSING - UNIVERSAL - HONDA - K20 - DC5 - 50MM- PORTED - ALI EXT - CABLE
DRAWING NUMBER	102-109-00056