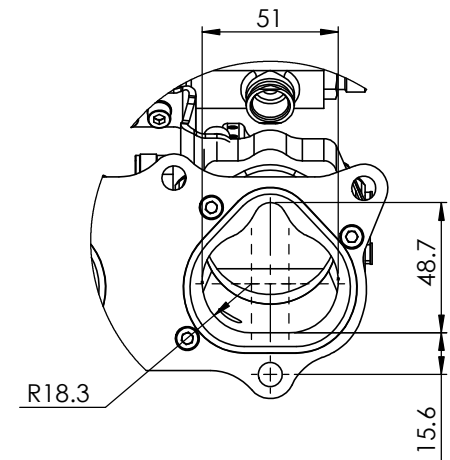
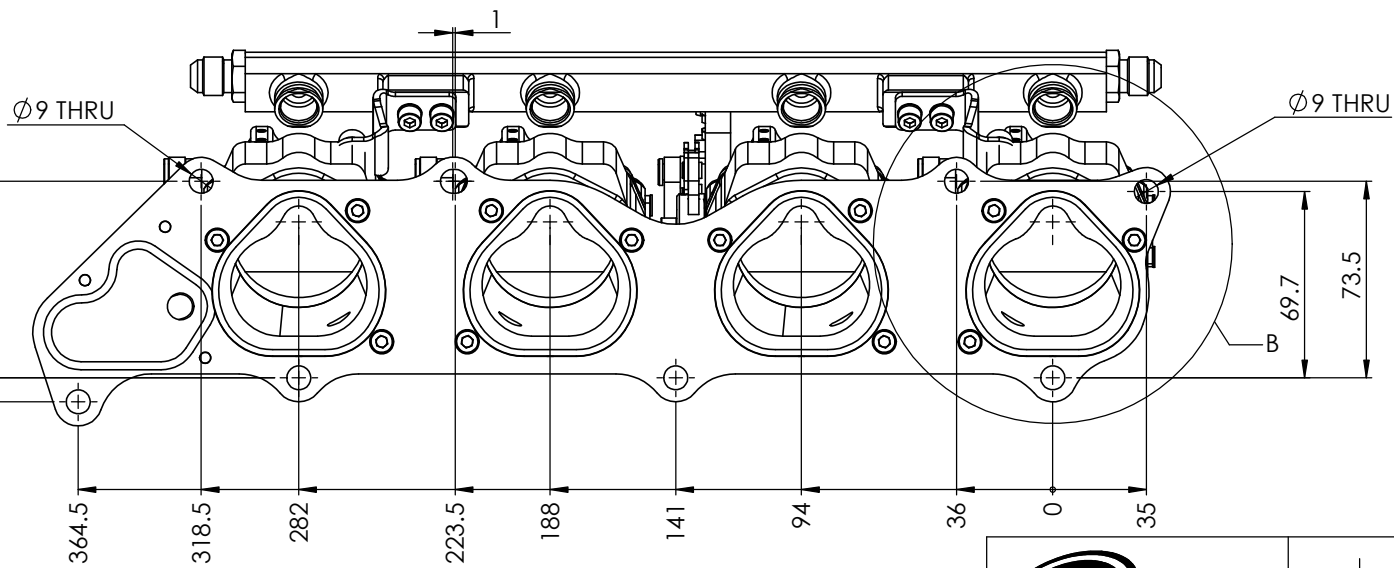
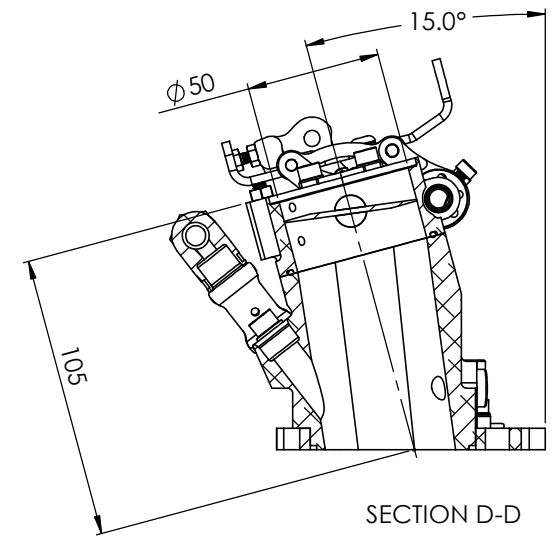
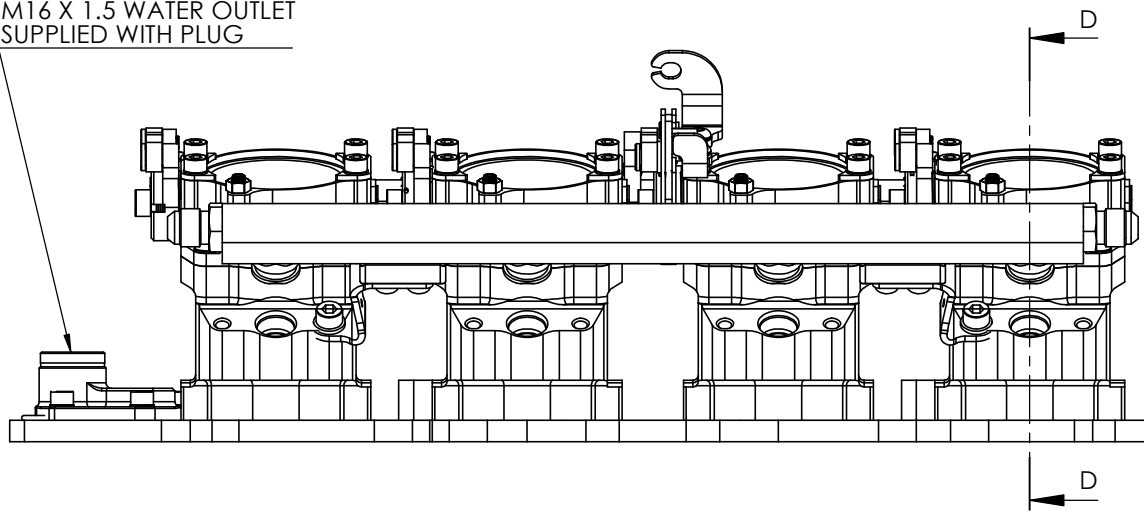

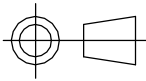


M16 X 1.5 WATER OUTLET  
SUPPLIED WITH PLUG



 <b>S-CAN 3D Ltd</b> Bunn's Bank Ind Est Atleborough NR17 1QD	 THIRD ANGLE PROJECTION		MATERIAL SEE COMPONENT PARTS
	SCALE 1:2	WEIGHT 3.5 kg	FINISH SEE COMPONENT PARTS
	DRAWN- S.HOW		DRAWING TITLE ASSY - HOUSING - UNIVERSAL - HONDA - K20 - FD2 - 50MM- STD PORT - ALI EXT -CABLE
	DATE - 05/09/25		DRAWING NUMBER <b>102-109-00058</b>
	UNLESS OTHERWISE STATED: DIMENSIONS IN MILLIMETRES TOLERANCES: LINEAR ± 0.1 ANGULAR ± 0.5° SURFACE FINISH √ = √ DRAWING STANDARDS TO ATQS 6003 DATE FORMAT: DD/MM/YY THIS DESIGN IS THE PROPERTY OF S-CAN 3D LTD AND MUST NOT BE REPRODUCED OR COMMUNICATED WITHOUT AUTHORITY		CAD PLOT DO NOT SCALE