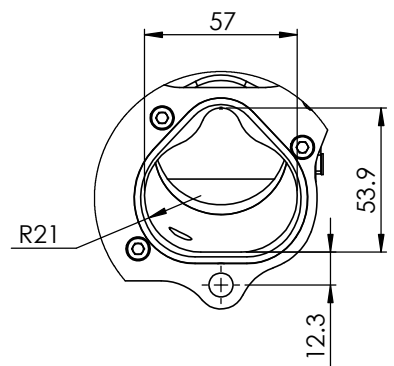
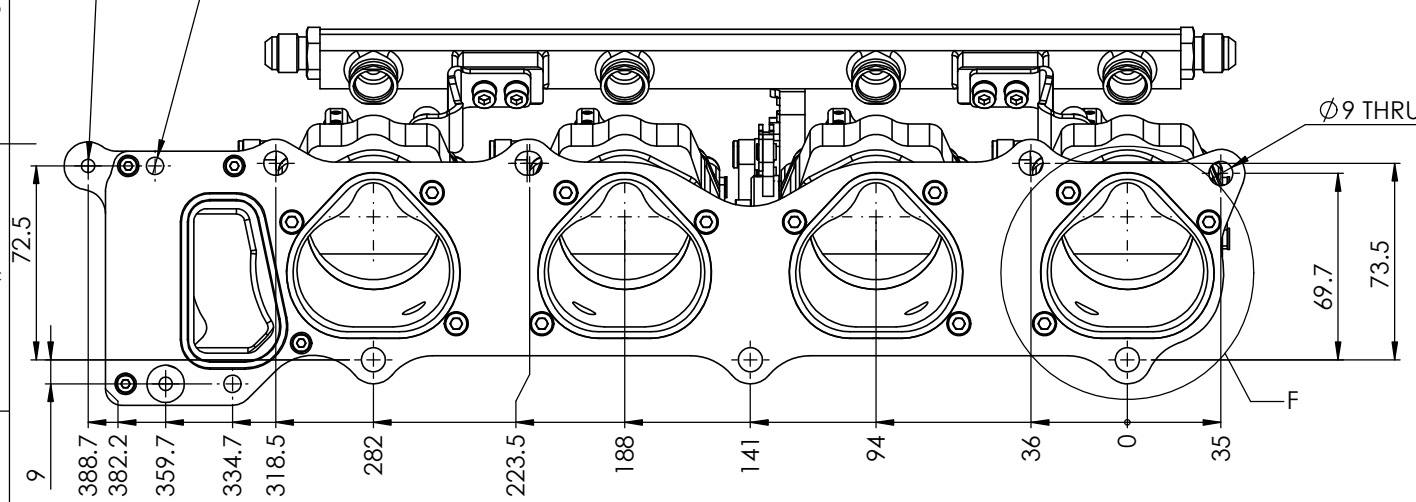


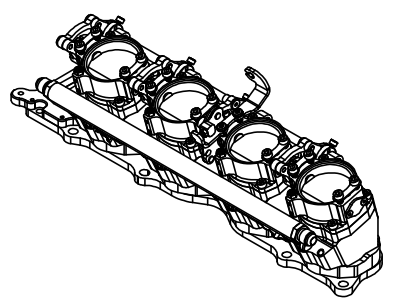
2 x ϕ 5 THRU ALL
M6x1.0 - 6H THRU ALL

ϕ 6.5 THRU

ϕ 9 THRU



DETAIL F

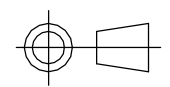


S-CAN 3D Ltd
Bunns Bank Ind Est
Attleborough NR17 1QD

UNLESS OTHERWISE STATED:
DIMENSIONS IN MILLIMETRES
TOLERANCES: LINEAR ± 0.1 ANGULAR $\pm 0.5^\circ$
SURFACE FINISH $\sqrt{\text{V}}$ = $\sqrt{\text{V}}$
DRAWING STANDARDS TO ATQS 6003
DATE FORMAT: DD/MM/YY

THIS DESIGN IS THE PROPERTY OF
S-CAN 3D LTD AND MUST NOT BE
REPRODUCED OR COMMUNICATED
WITHOUT AUTHORITY

CAD PLOT
DO NOT
SCALE



THIRD ANGLE PROJECTION

SCALE 1:2 WEIGHT 3.4 kg

DRAWN - S.HOW

DATE - 29/09/21

CHECKED - S.HOW

APPROVED - A.CLIFTON

MATERIAL
SEE COMPONENT PARTS

FINISH
SEE COMPONENT PARTS

DRAWING TITLE
ASSY - HOUSING - UNIVERSAL -
HONDA - K20 - DC5 - 50MM-
PORTED - 3D EXT - CABLE

DRAWING NUMBER
102-109-00073