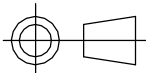
 S-CAN 3D Ltd Bunn's Bank Ind Est Attleborough NR17 1QD	 THIRD ANGLE PROJECTION		MATERIAL	SEE COMPONENT PARTS
	SCALE	WEIGHT	FINISH	SEE COMPONENT PARTS
	1:2	3.4 kg	DRAWING TITLE	ASSY - HOUSING - UNIVERSAL - HONDA - K20 - FD2 - 55MM- STD PORT - 3D EXT - CABL
	DRAWN-	S.HOW	DRAWING NUMBER	102-109-00080
	DATE -	08/09/25		SHEET 2 OF 2 A3
UNLESS OTHERWISE STATED: DIMENSIONS IN MILLIMETRES TOLERANCES: LINEAR ± 0.1 ANGULAR ± 0.5° SURFACE FINISH: √ = √ DRAWING STANDARDS TO ATQS 6003 DATE FORMAT: DD/MM/YY		CHECKED -	S.HOW	
THIS DESIGN IS THE PROPERTY OF S-CAN 3D LTD AND MUST NOT BE REPRODUCED OR COMMUNICATED WITHOUT AUTHORITY		APPROVED -	S.HOW	
		CAD PLOT DO NOT SCALE		