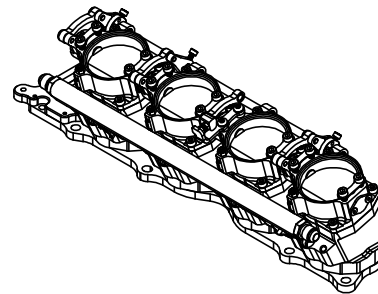
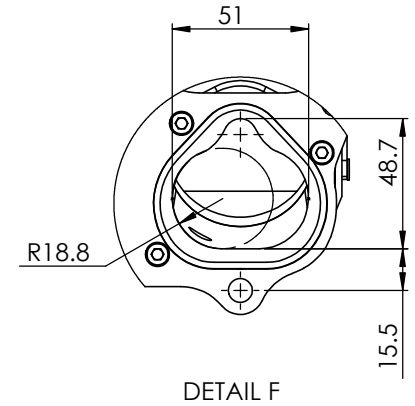
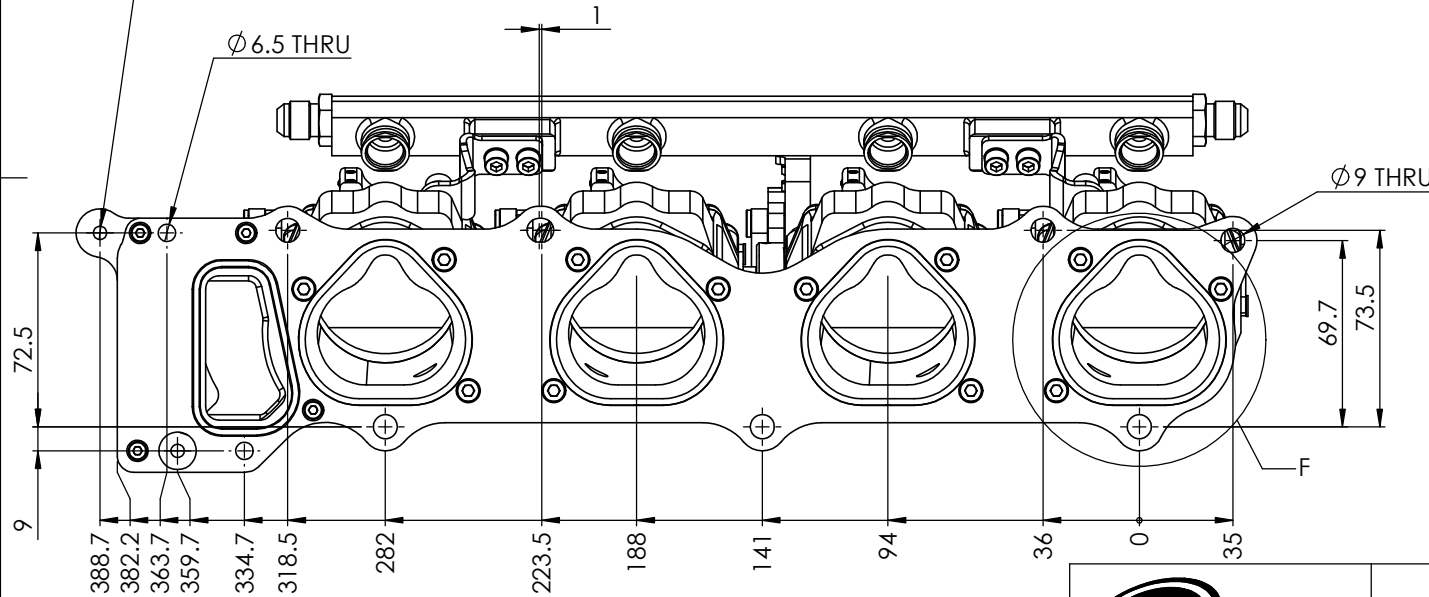
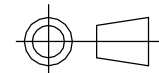


2 x Ø 5 THRU ALL  
M6x1.0 - 6H THRU ALL

Ø 6.5 THRU



S-CAN 3D Ltd  
Bunns Bank Ind Est  
Attleborough NR17 1QD



THIRD ANGLE PROJECTION

SCALE 1:2 WEIGHT 3.4 kg

DRAWN- S.HOW

DATE - 02/09/22

CHECKED - S.HOW

APPROVED - A.CLIFTON

MATERIAL  
SEE COMPONENT PARTS

FINISH  
SEE COMPONENT PARTS

DRAWING TITLE  
ASSY - HOUSING - UNIVERSAL -  
HONDA - K20 - DC5 - 55MM-  
STD PORT - 3D EXT - DBW

DRAWING NUMBER  
102-109-00083

UNLESS OTHERWISE STATED:  
DIMENSIONS IN MILLIMETRES  
TOLERANCES: LINEAR ± 0.1 ANGULAR ± 0.5°  
SURFACE FINISH √ = √  
DRAWING STANDARDS TO ATQS 6003  
DATE FORMAT: DD/MM/YY  
THIS DESIGN IS THE PROPERTY OF  
S-CAN 3D LTD AND MUST NOT BE  
REPRODUCED OR COMMUNICATED  
WITHOUT AUTHORITY

CAD PLOT  
DO NOT  
SCALE