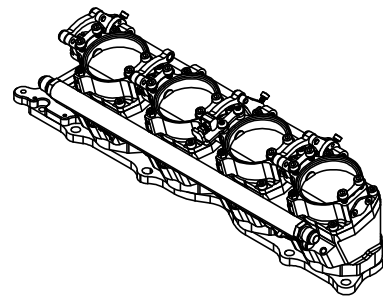
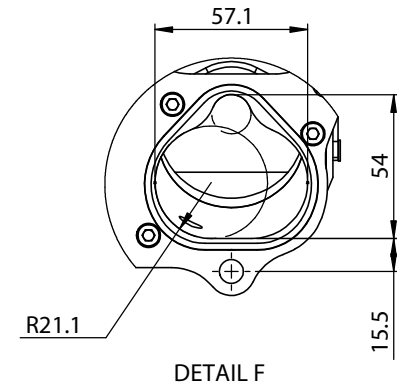
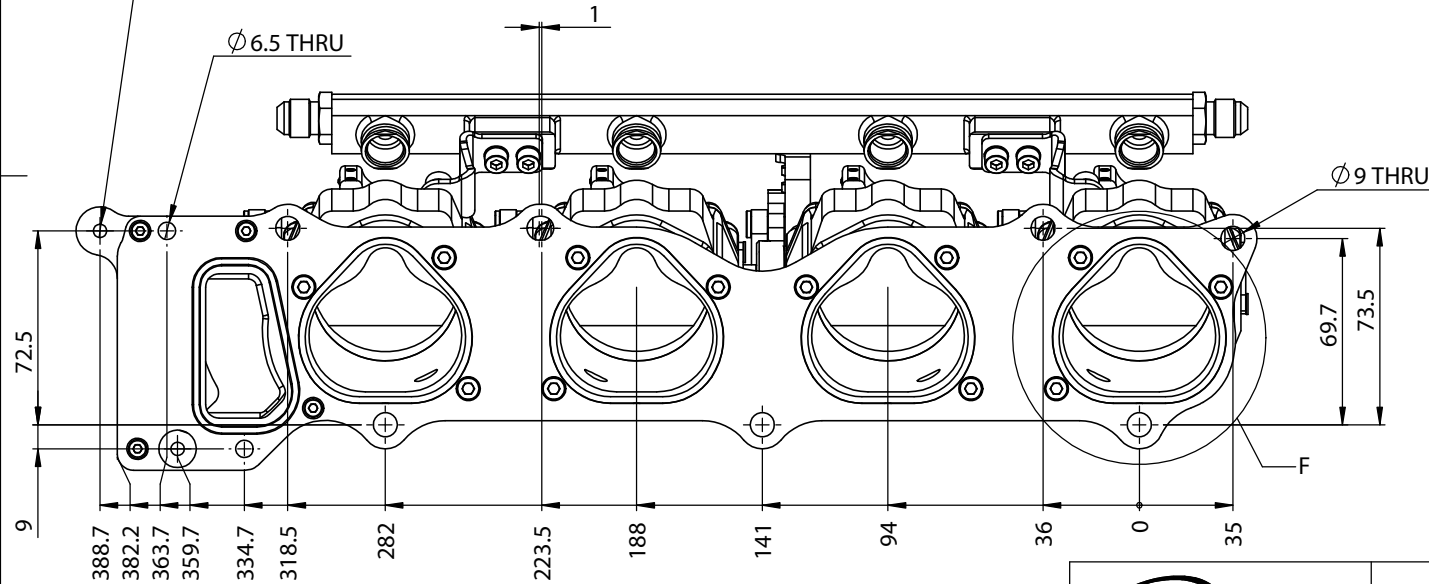
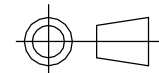


2 x Ø 5 THRU ALL
M6x1.0 - 6H THRU ALL

Ø 6.5 THRU



S-CAN 3D Ltd
Bunns Bank Ind Est
Attleborough NR17 1QD



THIRD ANGLE PROJECTION

SCALE 1:2 WEIGHT 3.2 kg

DRAWN- S.HOW

DATE- 11/10/22

CHECKED- S.HOW

APPROVED- A.CLIFTON

MATERIAL
SEE COMPONENT PARTS

FINISH
SEE COMPONENT PARTS

DRAWING TITLE
**ASSY - HOUSING - UNIVERSAL -
HONDA - K20 - DC5 - 55MM-
PORTED - 3D EXT - DBW**

DRAWING NUMBER
102-109-00084

UNLESS OTHERWISE STATED:
DIMENSIONS IN MILLIMETRES
TOLERANCES: LINEAR ±0.1 ANGULAR ±0.5°
SURFACE FINISH √ = √
DRAWING STANDARDS TO ATQS 6003
DATE FORMAT: DD/MM/YY
THIS DESIGN IS THE PROPERTY OF
S-CAN 3D LTD AND MUST NOT BE
REPRODUCED OR COMMUNICATED
WITHOUT AUTHORITY

CAD PLOT
DO NOT
SCALE