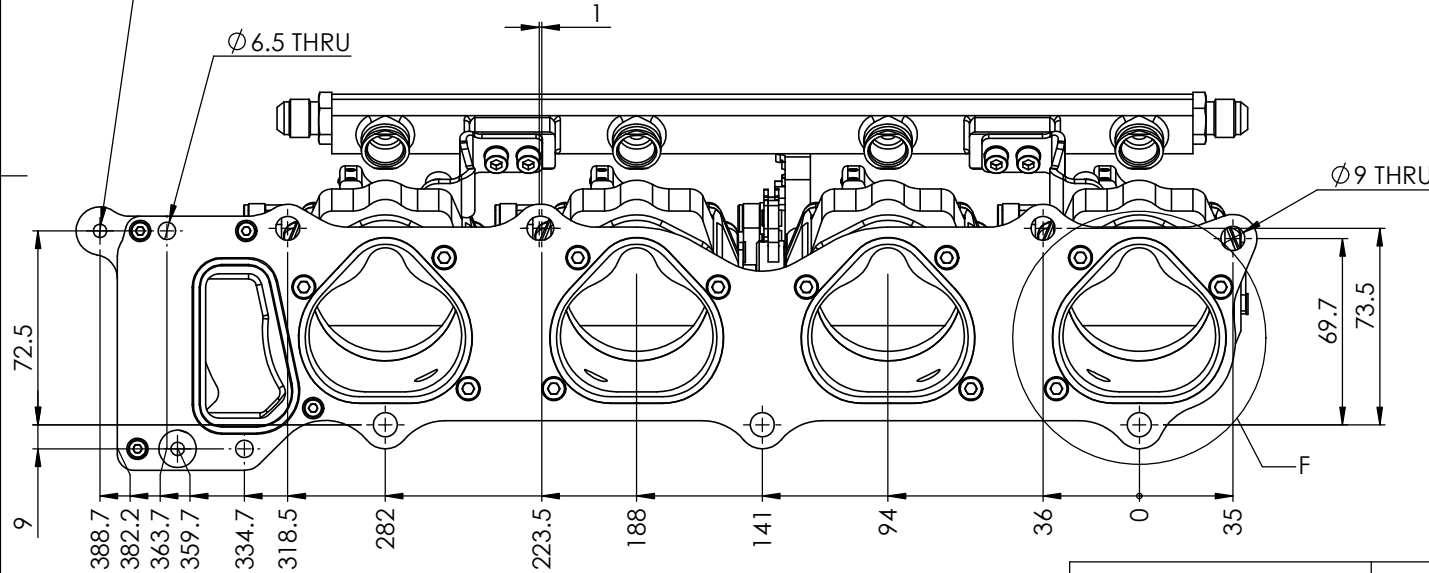
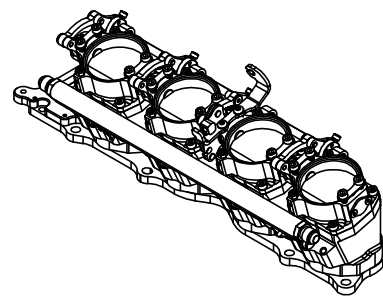
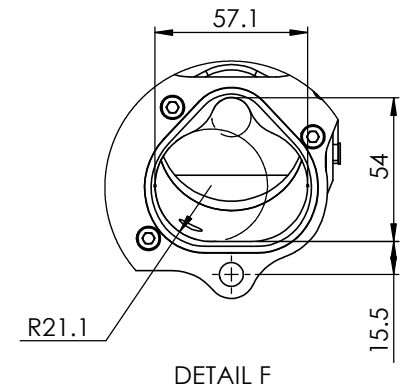


2 x Ø 5 THRU ALL
M6x1.0 - 6H THRU ALL

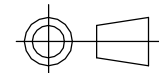
Ø 6.5 THRU



Ø 9 THRU



S-CAN 3D Ltd
Bunns Bank Ind Est
Attleborough NR17 1QD



THIRD ANGLE PROJECTION

SCALE
1:2

WEIGHT
3.3 kg

DRAWN - S.HOW

DATE - 14/02/23

CHECKED - S.HOW

APPROVED - A.CLIFTON

UNLESS OTHERWISE STATED:
DIMENSIONS IN MILLIMETRES
TOLERANCES: LINEAR ± 0.1 ANGULAR ± 0.5°
SURFACE FINISH √ = √
DRAWING STANDARDS TO ATQS 6003
DATE FORMAT: DD/MM/YY

THIS DESIGN IS THE PROPERTY OF
S-CAN 3D LTD AND MUST NOT BE
REPRODUCED OR COMMUNICATED
WITHOUT AUTHORITY

CAD PLOT
DO NOT
SCALE

MATERIAL

SEE COMPONENT PARTS

FINISH

SEE COMPONENT PARTS

DRAWING TITLE

ASSY - HOUSING - UNIVERSAL -
HONDA - K20 - DC5 - 55MM-
PORTED - 3D EXT - CABLE

DRAWING NUMBER

102-109-00085

SHEET 2 OF 2 A3