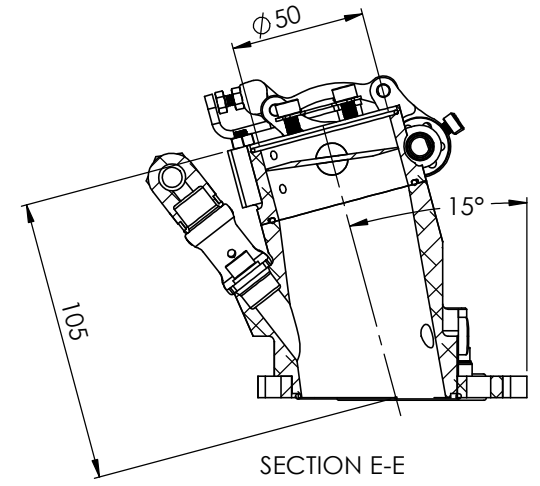
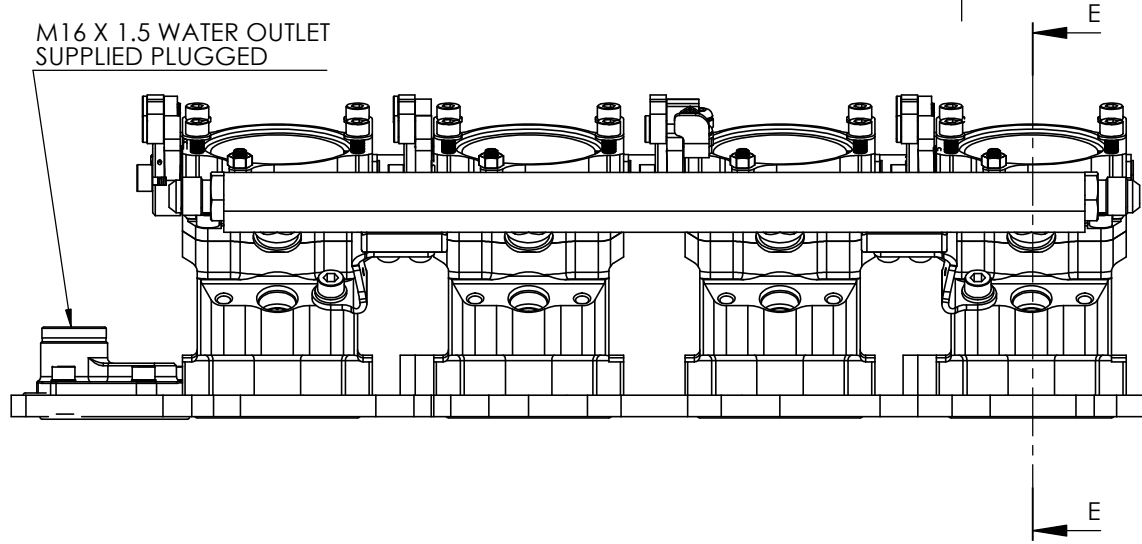
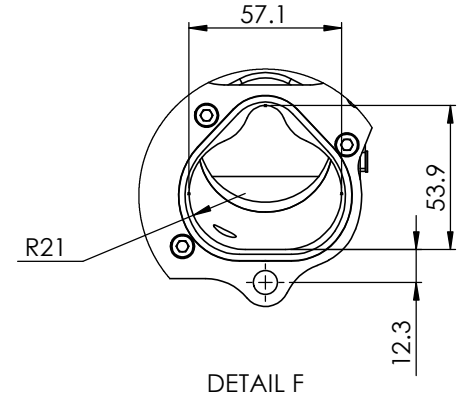
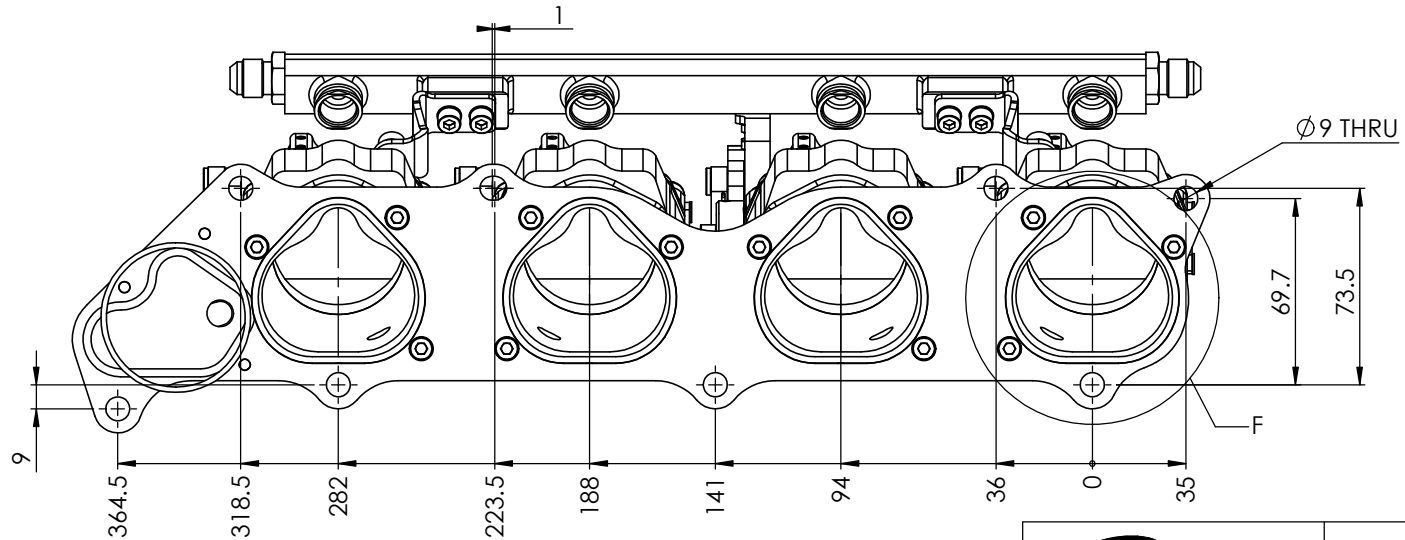


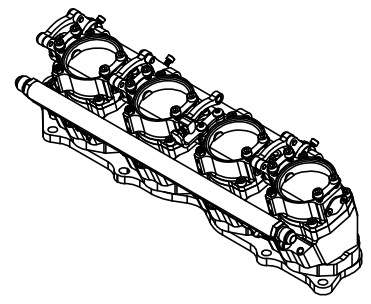
M16 X 1.5 WATER OUTLET
SUPPLIED PLUGGED



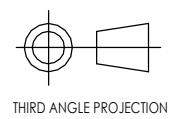
SECTION E-E



DETAIL F



S-CAN 3D Ltd
Bunns Bank Ind Est
Attleborough NR17 1QD



SCALE 1:2 WEIGHT 3.3 kg

DRAWN- S.HOW

DATE - 08/09/25

CHECKED - S.HOW

APPROVED - S.HOW

UNLESS OTHERWISE STATED:
DIMENSIONS IN MILLIMETRES
TOLERANCES: LINEAR ± 0.1 ANGULAR ± 0.5°
SURFACE FINISH √ = √
DRAWING STANDARDS TO ATQS 6003
DATE FORMAT: DD/MM/YY
THIS DESIGN IS THE PROPERTY OF
S-CAN 3D LTD AND MUST NOT BE
REPRODUCED OR COMMUNICATED
WITHOUT AUTHORITY

CAD PLOT
DO NOT
SCALE

MATERIAL	SEE COMPONENT PARTS
FINISH	SEE COMPONENT PARTS
DRAWING TITLE	ASSY - HOUSING - UNIVERSAL - HONDA - K20 - FD2 - 50MM- PORTED - 3D EXT - DBW
DRAWING NUMBER	102-109-00092