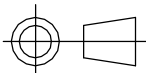
 S-CAN 3D Ltd Bunn's Bank Ind Est Attleborough NR17 1QD	 THIRD ANGLE PROJECTION		MATERIAL	SEE COMPONENT PARTS
	SCALE 1:2	WEIGHT 3.4 kg	FINISH	SEE COMPONENT PARTS
	DRAWN- S.HOW		DRAWING TITLE	
	DATE - 08/09/25		ASSY - HOUSING - UNIVERSAL - HONDA - K20 - FD2 - 55MM- STD PORT - 3D EXT - DBW	
	CHECKED - S.HOW		DRAWING NUMBER	
APPROVED - S.HOW		102-109-00094		
<small>UNLESS OTHERWISE STATED: DIMENSIONS IN MILLIMETRES TOLERANCES: LINEAR ± 0.1 ANGULAR ± 0.5° SURFACE FINISH √ = √ DRAWING STANDARDS TO ATQS 6003 DATE FORMAT: DD/MM/YY</small>		<small>CAD PLOT DO NOT SCALE</small>		<small>SHEET 2 OF 2 A3</small>