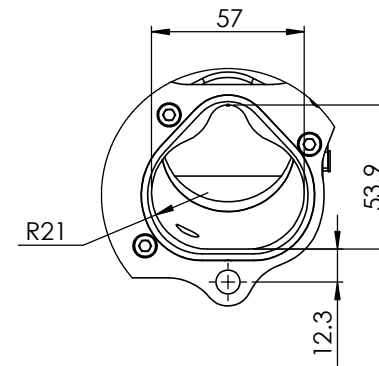
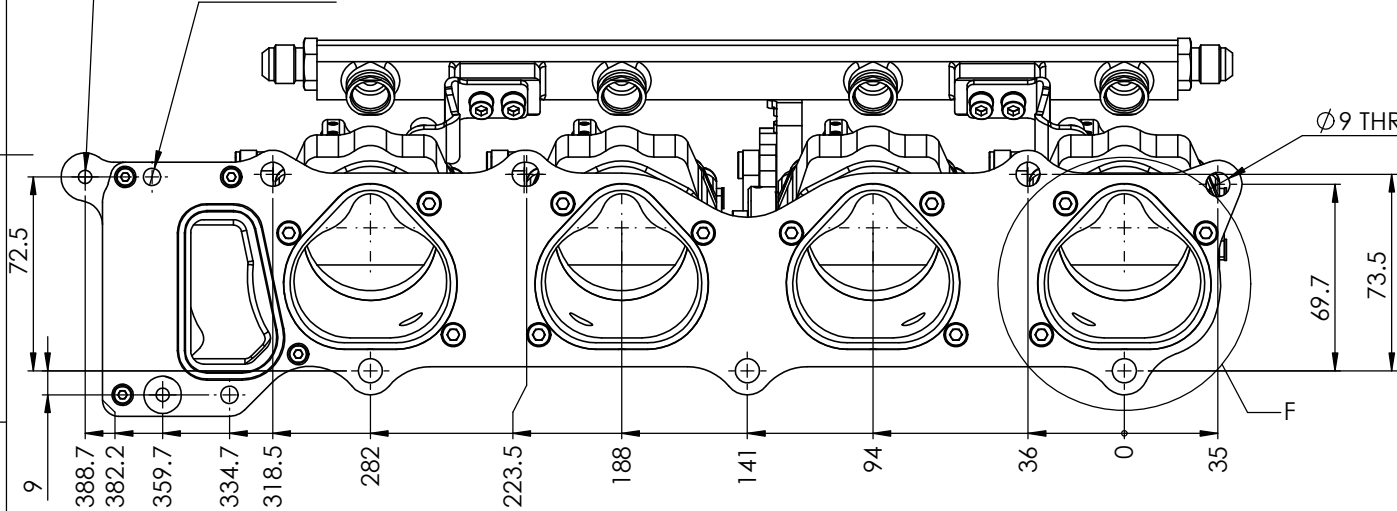


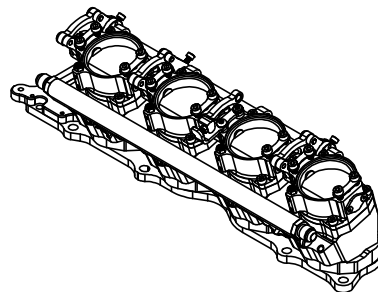
2 x  $\phi 5$  THRU ALL  
M6x1.0 - 6H THRU ALL

$\phi 6.5$  THRU

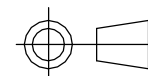
$\phi 9$  THRU



DETAIL F



S-CAN 3D Ltd  
Bunns Bank Ind Est  
Attleborough NR17 1QD



THIRD ANGLE PROJECTION

SCALE  
1:2

WEIGHT  
3.3 kg

DRAWN - S.HOW

DATE - 01/12/25

CHECKED - S.HOW

APPROVED - S.HOW

UNLESS OTHERWISE STATED:  
DIMENSIONS IN MILLIMETRES  
TOLERANCES: LINEAR  $\pm 0.1$  ANGULAR  $\pm 0.5^\circ$   
SURFACE FINISH  $\sqrt{\text{ }}$  =  $\sqrt{\text{ }}$   
DRAWING STANDARDS TO ATQS 6003  
DATE FORMAT: DD/MM/YY

THIS DESIGN IS THE PROPERTY OF  
S-CAN 3D LTD AND MUST NOT BE  
REPRODUCED OR COMMUNICATED  
WITHOUT AUTHORITY

CAD PLOT  
DO NOT  
SCALE

MATERIAL

SEE COMPONENT PARTS

FINISH

SEE COMPONENT PARTS

DRAWING TITLE

ASSY - HOUSING - UNIVERSAL -  
HONDA - K20 - DC5 - 50MM-  
PORTED - 3D EXT - DBW

DRAWING NUMBER

102-109-00100

SHEET 2 OF 2 A3