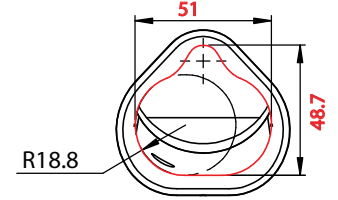


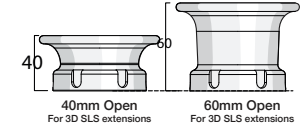
Available Engine Inlet:

Standard OEM Port

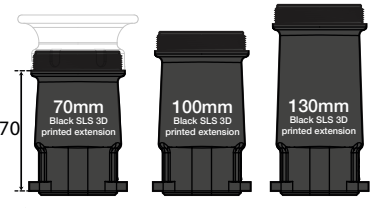


BOOSTED SETUP

Available Boosted Trumpets:

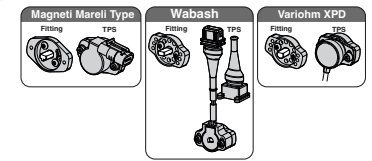


Available Boosted Extension Lengths:

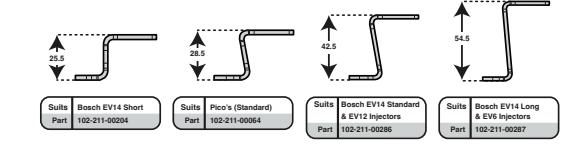


Contact us for curved

Available TPS Sides and TPS Options

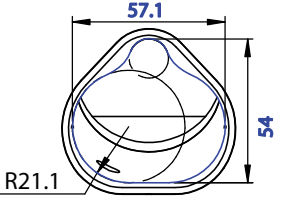


Available Fuel Injector Mounting Brackets:



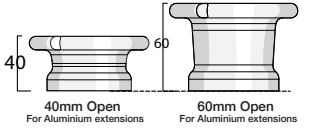
Ensure sizes fit in engine

Ported for Customised Cylinder Head

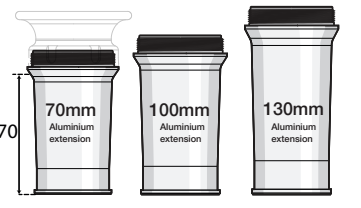


NA SETUP

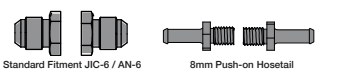
Available NA Trumpets:



Available NA Extension Lengths:



Available Fuel Rail End Fittings:



**alpower**

S-CAN 3D Ltd  
Bunns Bank Ind Est  
Attleborough NR17 1QD

THIRD ANGLE PROJECTION

SCALE 1:2	WEIGHT 3.2 kg
DRAWN -	S.HOW
DATE -	11/10/22
CHECKED -	S.HOW
APPROVED -	A.CLIFTON

UNLESS OTHERWISE STATED:  
DIMENSIONS IN MILLIMETRES  
TOLERANCES: LINEAR ±0.1 ANGULAR ±0.5°  
SURFACE FINISH √ = √  
DRAWING STANDARDS TO ATQS 6003  
DATE FORMAT: DD/MM/YY

THIS DESIGN IS THE PROPERTY OF  
S-CAN 3D LTD AND MUST NOT BE  
REPRODUCED OR COMMUNICATED  
WITHOUT AUTHORITY

CAD PLOT  
DO NOT  
SCALE

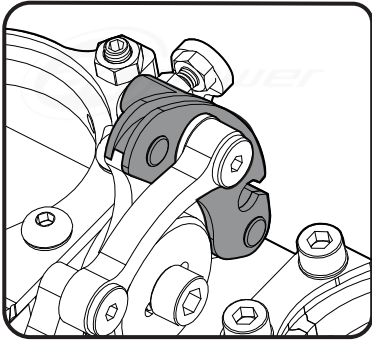
MATERIAL	SEE COMPONENT PARTS
FINISH	SEE COMPONENT PARTS
DRAWING TITLE	ASSY - HOUSING - UNIVERSAL - HONDA - K20 - DC5 - 50/55MM
DRAWING NUMBER	102-109-00084

SHEET 2 OF 2 A3

## Select Cable Pull or Drive-By-Wire

### Cable Pull Linkage

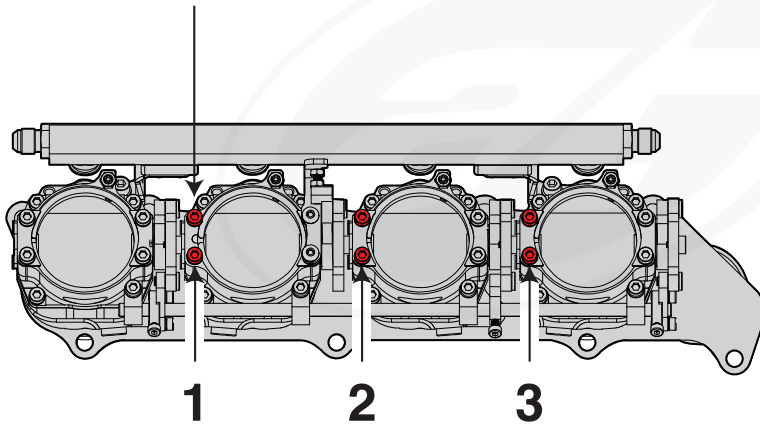
All Linkage suitable for AT Power's 3m Motorsport Throttle Nipple Cable (Sold Separately)



### DBW (Drive-By-Wire) Actuator Mounting:

If you have selected DBW, in the drop down box please advise

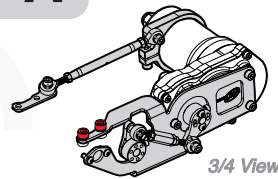
Mounting Bracketry Position (mounted red on red)



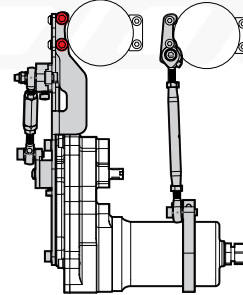
### Then Select mounting Bracket Type Required:

Straight Right Facing

**A**



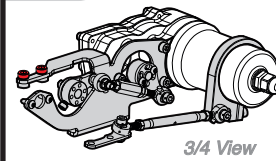
3/4 View



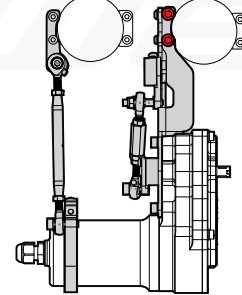
Top View

Straight Left Facing

**B**



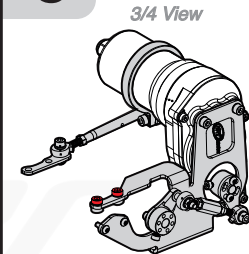
3/4 View



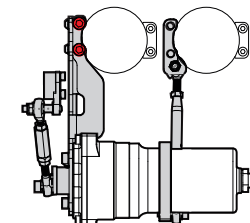
Top View

90° Right Facing

**C**



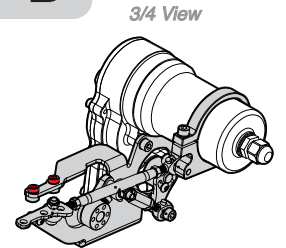
3/4 View



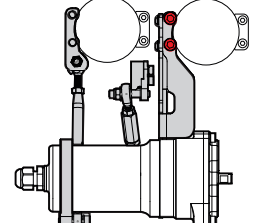
Top View

90° Left Facing

**D**



3/4 View



Top View

Ensure sizes fit in engine DBW Actuator bracketry technical drawings on next page

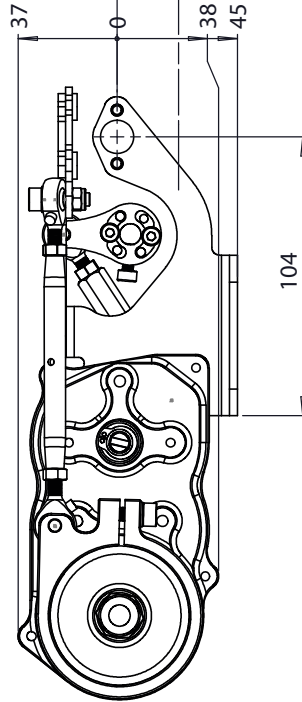
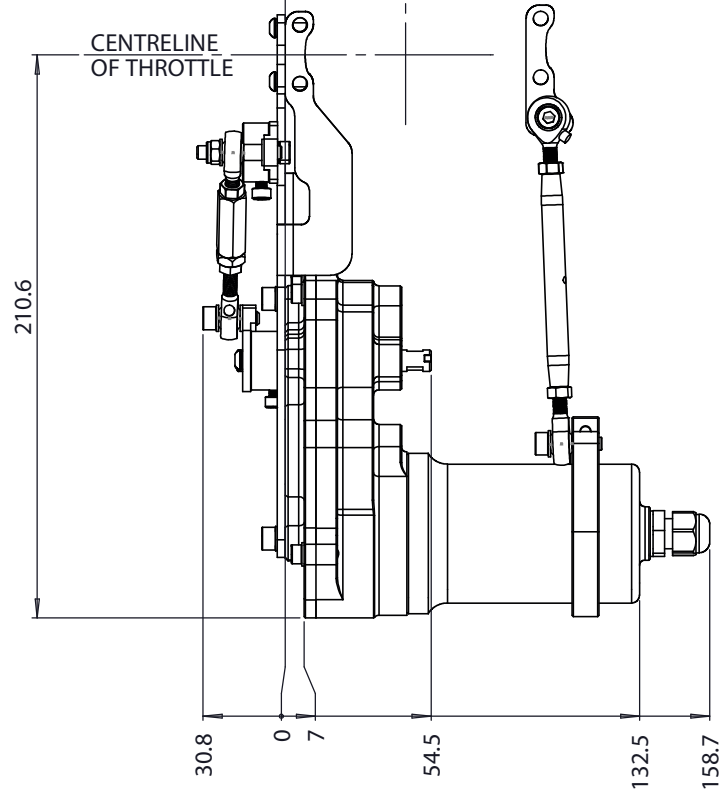
SIDE OF THROTTLE

CENTRELINE OF THROTTLE

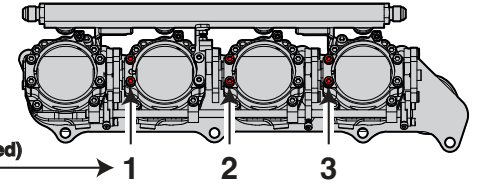
DIM 'A'

CENTRELINE OF THROTTLE

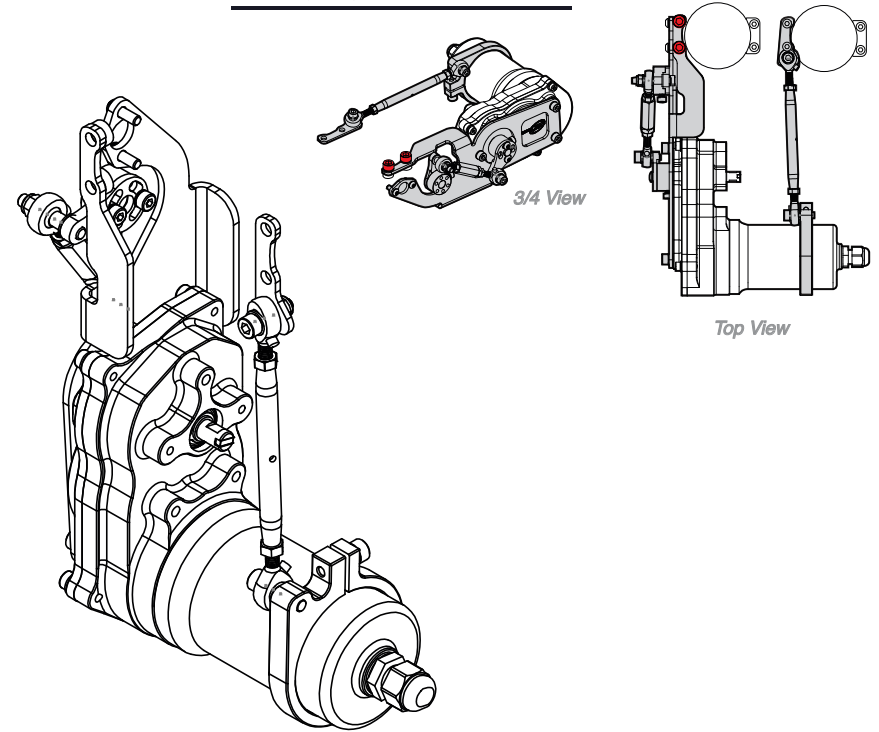
TO BASE OF THROTTLE 23  
 ROUND NON-INJECTED THROTTLES THIS DIMENSION IS 17mm



Select Mounting Bracketry Position (mounted red on red)



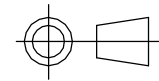
# MOUNT 'A'



DIMENSION 'A'		
THROTTLE SIZE	ROUND THROTTLE	OVAL THROTTLE
36	22.5	N/A
38	23.5	25.5
40	24.5	26.5
42	25.5	28.5
45	27	29.5
48	29	32
50	30	33.5
52	31	35.5
55	32.5	36.5



S-CAN 3D Ltd  
 Bunn's Bank Ind Est  
 Attleborough NR17 1QD



THIRD ANGLE PROJECTION

SCALE 1:2 WEIGHT 1.4 kg

DRAWN- S.HOW

DATE- 22/11/24

CHECKED - S.HOW

APPROVED - S.HOW

UNLESS OTHERWISE STATED:  
 DIMENSIONS IN MILLIMETRES  
 TOLERANCES: LINEAR ±0.1 ANGULAR ±0.5°  
 SURFACE FINISH √ = √  
 DRAWING STANDARDS TO ATQS 6003  
 DATE FORMAT: DD/MM/YY

THIS DESIGN IS THE PROPERTY OF S-CAN 3D LTD AND MUST NOT BE REPRODUCED OR COMMUNICATED WITHOUT AUTHORITY

CAD PLOT DO NOT SCALE

MATERIAL

SEE COMPONENT PARTS

FINISH

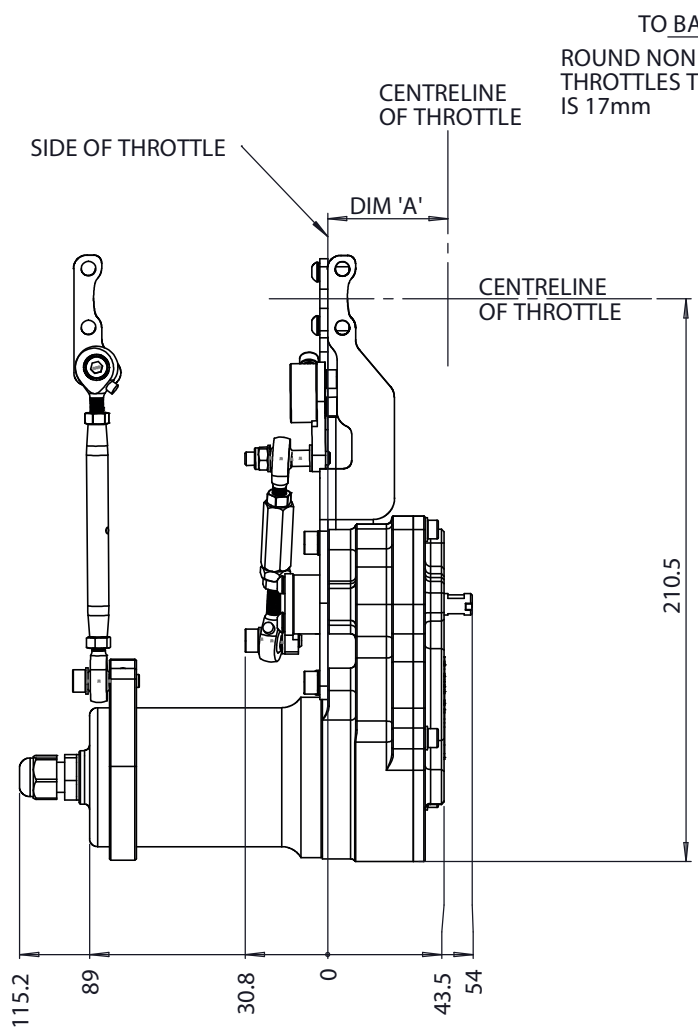
SEE COMPONENT PARTS

DRAWING TITLE

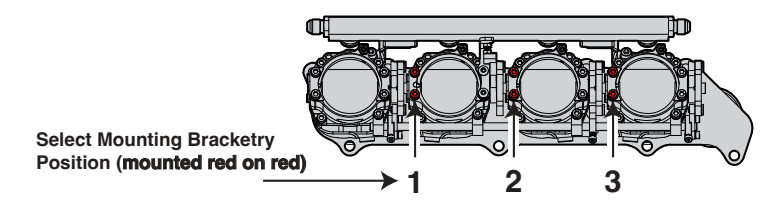
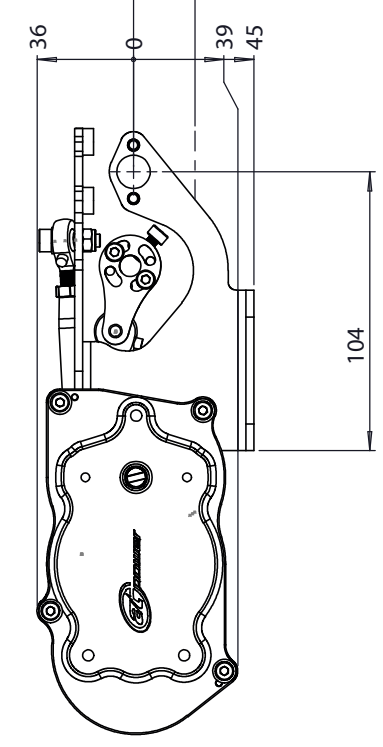
ASSY - DBW ACTUATOR KIT - CENTRAL MOUNT  
 UNIVERSAL THROTTLES - RH

DRAWING NUMBER

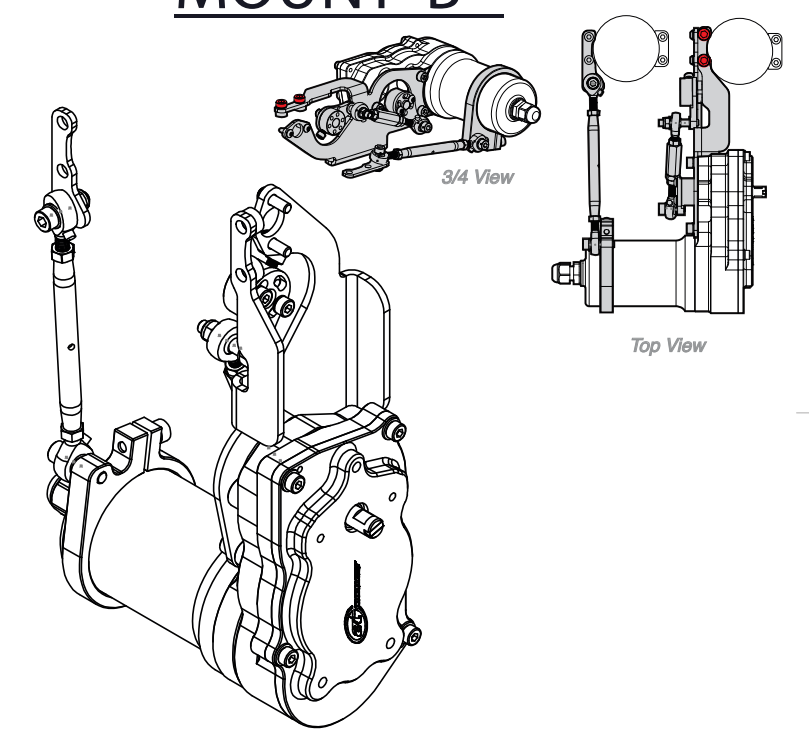
102-106-00061



TO BASE OF THROTTLE 23  
 ROUND NON -INJECTED THROTTLES THIS DIMENSION IS 17mm



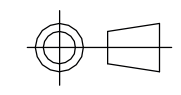
# MOUNT 'B'



DIMENSION 'A'		
THROTTLE SIZE	ROUND THROTTLE	OVAL THROTTLE
36	22.5	N/A
38	23.5	25.5
40	24.5	26.5
42	25.5	28.5
45	27	29.5
48	29	32
50	30	33.5
52	31	35.5
55	32.5	36.5



S-CAN 3D Ltd  
 Bunn's Bank Ind Est  
 Attleborough NR17 1QD



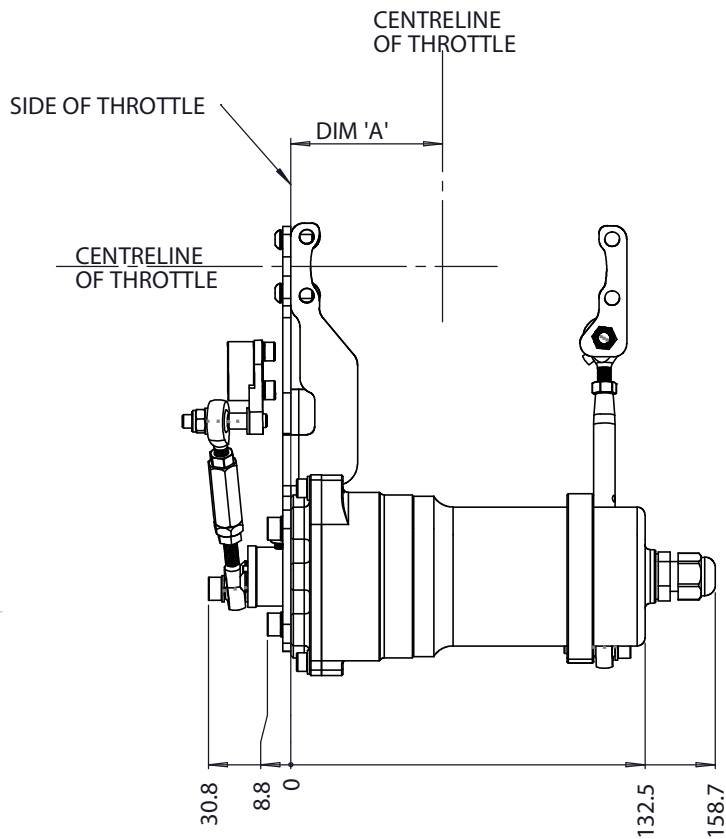
THIRD ANGLE PROJECTION  
 SCALE 1:2 WEIGHT 1.3 kg

DRAWN- S.HOW  
 DATE- 22/11/24  
 CHECKED - S.HOW  
 APPROVED - A.CLIFTON

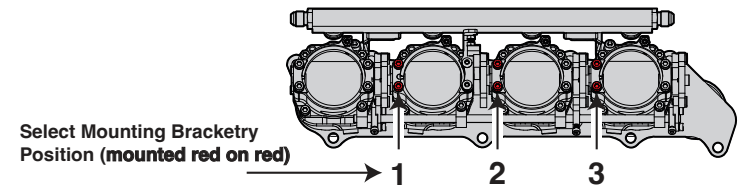
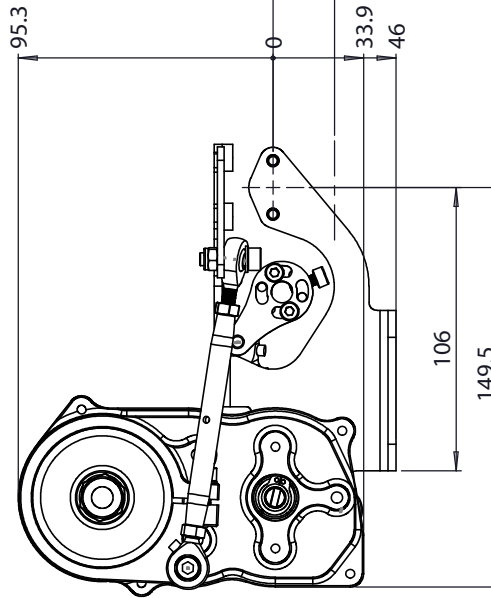
UNLESS OTHERWISE STATED:  
 DIMENSIONS IN MILLIMETRES  
 TOLERANCES: LINEAR ±0.1 ANGULAR ±0.5°  
 SURFACE FINISH √ = √  
 DRAWING STANDARDS TO ATQS 6003  
 DATE FORMAT: DD/MM/YY  
 THIS DESIGN IS THE PROPERTY OF S-CAN 3D LTD AND MUST NOT BE REPRODUCED OR COMMUNICATED WITHOUT AUTHORITY

CAD PLOT DO NOT SCALE

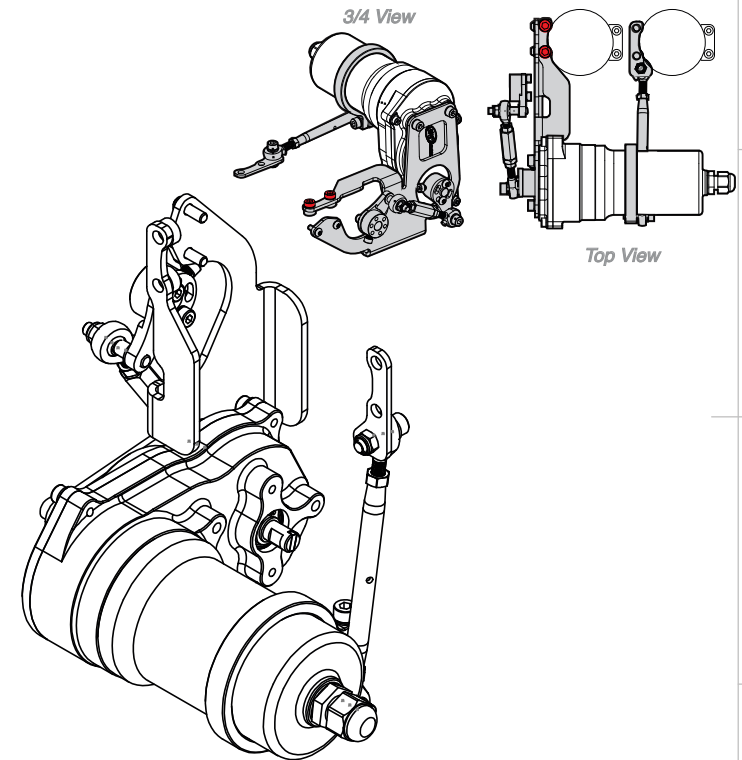
MATERIAL	SEE COMPONENT PARTS
FINISH	SEE COMPONENT PARTS
DRAWING TITLE	ASSY - DBW ACTUATOR KIT - CENTRAL MOUNT UNIVERSAL THROTTLES - LH
DRAWING NUMBER	102-106-00062



TO BASE OF THROTTLE 23  
 ROUND NON -INJECTED THROTTLES THIS DIMENSION IS 17mm



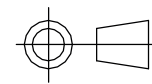
# MOUNT 'C'



DIMENSION 'A'		
THROTTLE SIZE	ROUND THROTTLE	OVAL THROTTLE
36	22.5	N/A
38	23.5	25.5
40	24.5	26.5
42	25.5	28.5
45	27	29.5
48	29	32
50	30	33.5
52	31	35.5
55	32.5	36.5



S-CAN 3D Ltd  
 Bunn's Bank Ind Est  
 Attleborough NR17 1QD



THIRD ANGLE PROJECTION  
 SCALE 1:2 WEIGHT 1.4 kg

DRAWN- S.HOW  
 DATE- 22/11/24

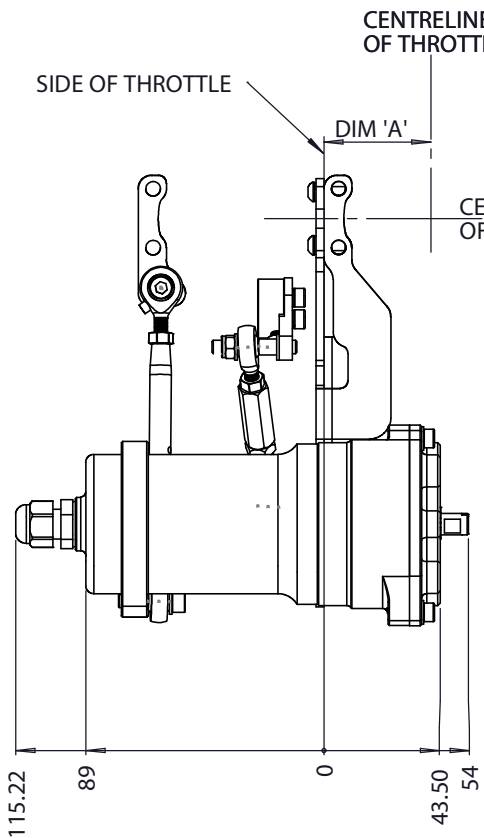
CHECKED - S.HOW  
 APPROVED - S.HOW

UNLESS OTHERWISE STATED:  
 DIMENSIONS IN MILLIMETRES  
 TOLERANCES: LINEAR ±0.1 ANGULAR ±0.5°  
 SURFACE FINISH ✓ = ✓  
 DRAWING STANDARDS TO ATQS 6003  
 DATE FORMAT: DD/MM/YY

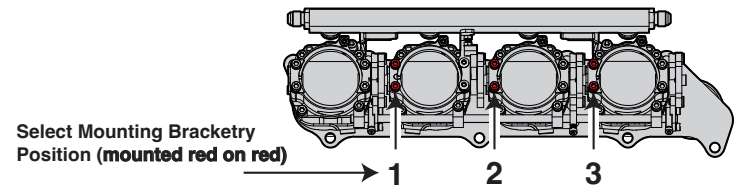
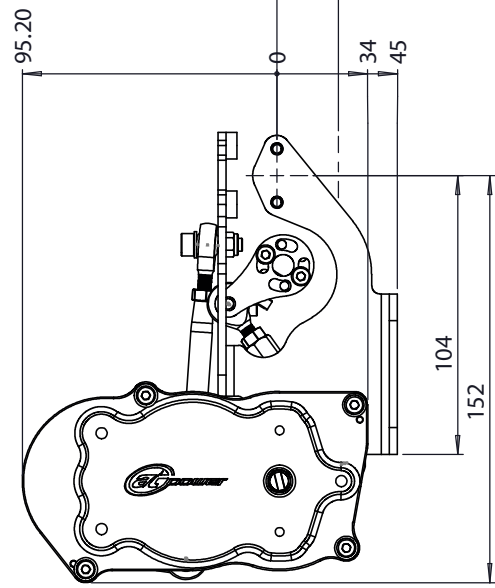
THIS DESIGN IS THE PROPERTY OF S-CAN 3D LTD AND MUST NOT BE REPRODUCED OR COMMUNICATED WITHOUT AUTHORITY

CAD PLOT DO NOT SCALE

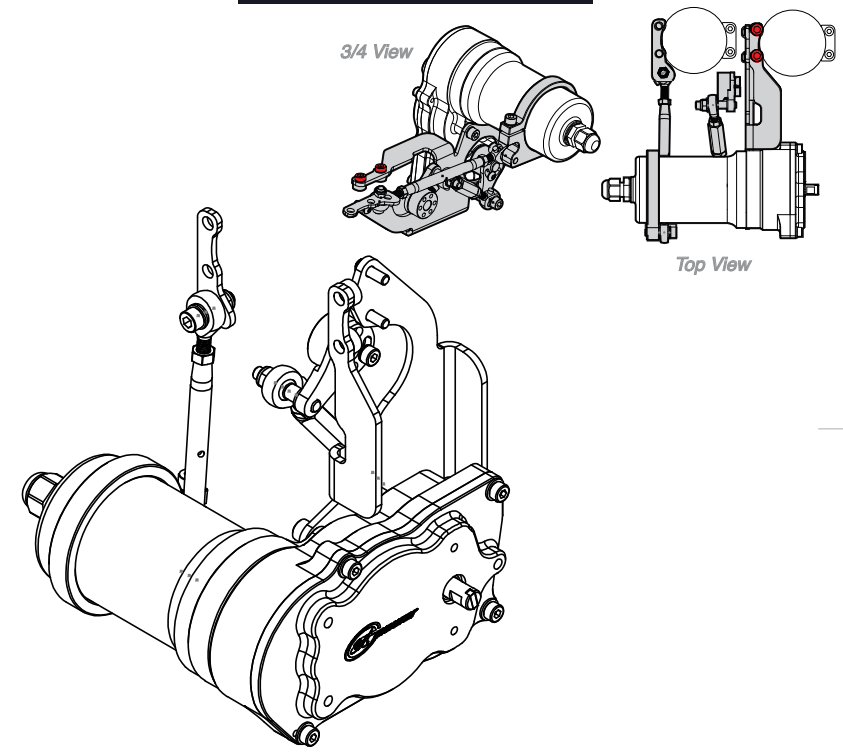
MATERIAL	SEE COMPONENT PARTS
FINISH	SEE COMPONENT PARTS
DRAWING TITLE	ASSY - DBW ACTUATOR KIT - CENTRAL MOUNT UNIVERSAL THROTTLES - RH @ 90 DEGREES
DRAWING NUMBER	102-106-00078



TO BASE OF THROTTLE 23  
 ROUND NON -INJECTED  
 THROTTLES THIS DIMENSION  
 IS 17mm



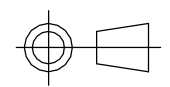
# MOUNT 'D'



DIMENSION 'A'		
THROTTLE SIZE	ROUND THROTTLE	OVAL THROTTLE
36	22.5	N/A
38	23.5	25.5
40	24.5	26.5
42	25.5	28.5
45	27	29.5
48	29	32
50	30	33.5
52	31	35.5
55	32.5	36.5



S-CAN 3D Ltd  
 Bunn's Bank Ind Est  
 Attleborough NR17 1QD



THIRD ANGLE PROJECTION  
 SCALE 1:2 WEIGHT 1.3 kg

UNLESS OTHERWISE STATED:  
 DIMENSIONS IN MILLIMETRES  
 TOLERANCES: LINEAR ±0.1 ANGULAR ±0.5°  
 SURFACE FINISH ✓ = ✓  
 DRAWING STANDARDS TO ATQS 6003  
 DATE FORMAT: DD/MM/YY

THIS DESIGN IS THE PROPERTY OF  
 S-CAN 3D LTD AND MUST NOT BE  
 REPRODUCED OR COMMUNICATED  
 WITHOUT AUTHORITY

CAD PLOT  
 DO NOT  
 SCALE

DRAWN- S.HOW  
 DATE- 22/11/24  
 CHECKED - S.HOW  
 APPROVED - S.HOW

MATERIAL	SEE COMPONENT PARTS
FINISH	SEE COMPONENT PARTS
DRAWING TITLE	ASSY - DBW ACTUATOR KIT - CENTRAL MOUNT UNIVERSAL THROTTLES - LH- 90 DEGREES
DRAWING NUMBER	102-106-00079