
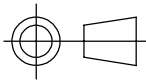


SECTION A-A

| | | | |
|---|---|-------------|---|
|  S-CAN 3D Ltd Bunns Bank Ind Est Atterborough NR17 1QD |  THIRD ANGLE PROJECTION | MATERIAL | SEE COMPONENT PARTS |
| | | FINISH | SEE COMPONENT PARTS |
| UNLESS OTHERWISE STATED: DIMENSIONS IN MILLIMETRES TOLERANCES: LINEAR ± 0.1 ANGULAR $\pm 0.5^\circ$ SURFACE FINISH $\sqrt{\text{ }}$ DRAWING STANDARDS TO ATQS 6003 DATE FORMAT: DD/MM/YY THIS DESIGN IS THE PROPERTY OF S-CAN 3D LTD AND MUST NOT BE REPRODUCED OR COMMUNICATED WITHOUT AUTHORITY | SCALE | WEIGHT | DRAWING TITLE PORSCHE 911-SC - 3.0L 1978-83 - 39 DIA PORT TO 42 - CABLE |
| | 1:5 | 5633.970 kg | |
| | DRAWN- | S.HOW | |
| | DATE - | 11/05/21 | DRAWING NUMBER |
| | CHECKED - | S.HOW | 102-102-00264 |
| | APPROVED - | A.CLIFTON | SHEET 2 OF 2 A3 |