
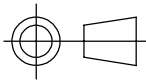


SECTION A-A

 <b>S-CAN 3D Ltd</b> Bunns Bank Ind Est Atleborough NR17 1QD	 THIRD ANGLE PROJECTION	MATERIAL	SEE COMPONENT PARTS
		FINISH	SEE COMPONENT PARTS
UNLESS OTHERWISE STATED: DIMENSIONS IN MILLIMETRES TOLERANCES: LINEAR $\pm 0.1$ ANGULAR $\pm 0.5^\circ$ SURFACE FINISH $\sqrt{\text{ }}$ DRAWING STANDARDS TO ATQS 6003 DATE FORMAT: DD/MM/YY THIS DESIGN IS THE PROPERTY OF S-CAN 3D LTD AND MUST NOT BE REPRODUCED OR COMMUNICATED WITHOUT AUTHORITY	SCALE	WEIGHT	DRAWING TITLE <b>PORSCHE 911 - 1978-89 - 42</b> <b>DIA PORT TO 45 - CABLE</b>
	1:5	5412.607 kg	
	DRAWN-	S.HOW	
	DATE -	11/05/21	DRAWING NUMBER <b>102-102-00266</b>
	CHECKED -	S.HOW	
	APPROVED -	A.CLIFTON	SHEET 2 OF 2 A3