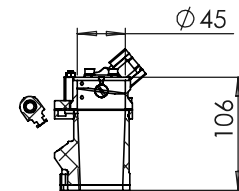
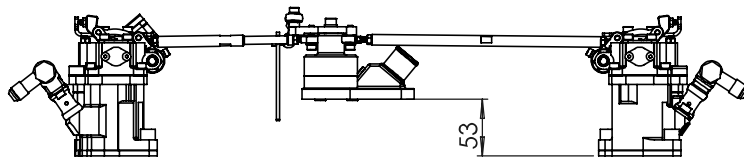
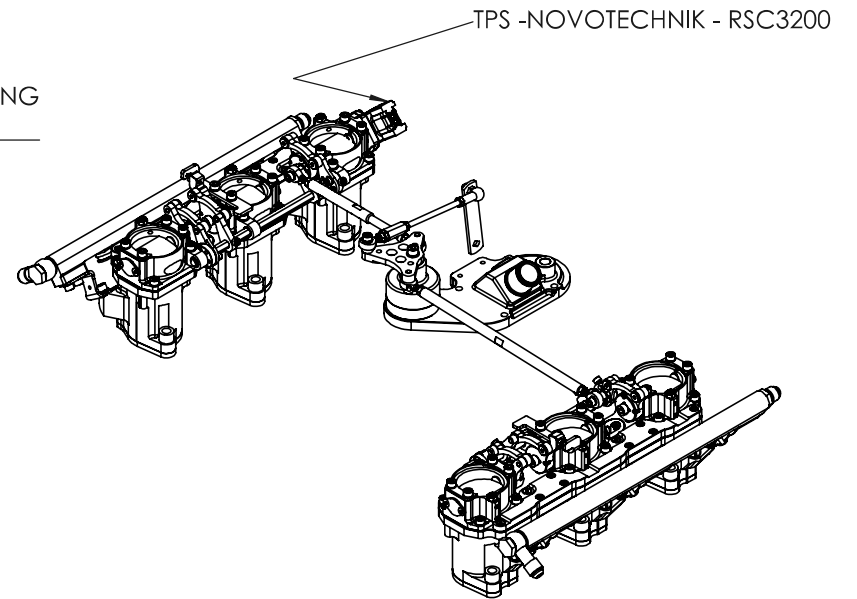


22
FROM SIDE OF THROTTLE HOUSING
TO SIDE OF LEVER ARM

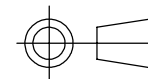
22
FROM SIDE OF THROTTLE HOUSING
TO SIDE OF LEVER ARM



SECTION A-A



S-CAN 3D Ltd
Bunns Bank Ind Est
Atheborough NR17 1QD



THIRD ANGLE PROJECTION

SCALE 1:5	WEIGHT 5493.200 kg
--------------	-----------------------

DRAWN- S.HOW

DATE - 11/05/21

CHECKED - S.HOW

APPROVED - A.CLIFTON

MATERIAL

SEE COMPONENT PARTS

FINISH

SEE COMPONENT PARTS

DRAWING TITLE

PORSCHE 911 CARRERA-
1984-89 - 40 DIA PORT TO 45
- CABLE

DRAWING NUMBER

102-102-00268

SHEET 2 OF 2 A3

UNLESS OTHERWISE STATED:
DIMENSIONS IN MILLIMETRES
TOLERANCES: LINEAR ± 0.1 ANGULAR $\pm 0.5^\circ$
SURFACE FINISH $\sqrt{\text{ }}$ = $\sqrt{\text{ }}$
DRAWING STANDARDS TO ATQS 6003
DATE FORMAT: DD/MM/YY
THIS DESIGN IS THE PROPERTY OF
S-CAN 3D LTD AND MUST NOT BE
REPRODUCED OR COMMUNICATED
WITHOUT AUTHORITY

CAD PLOT
DO NOT
SCALE